

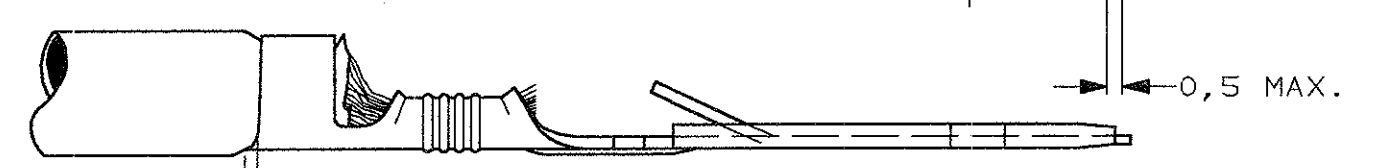
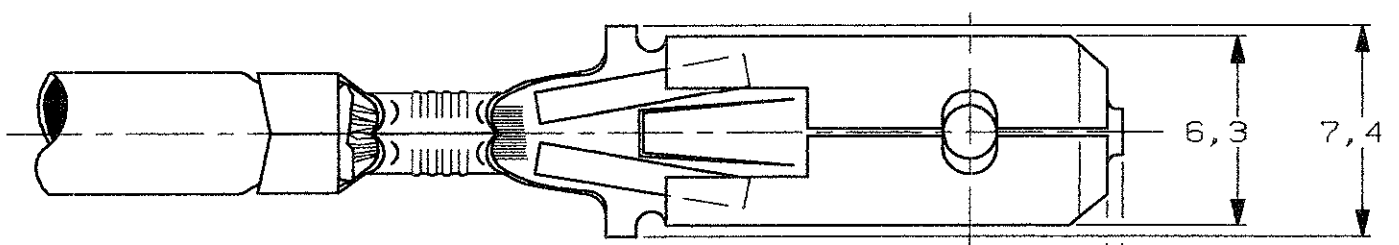
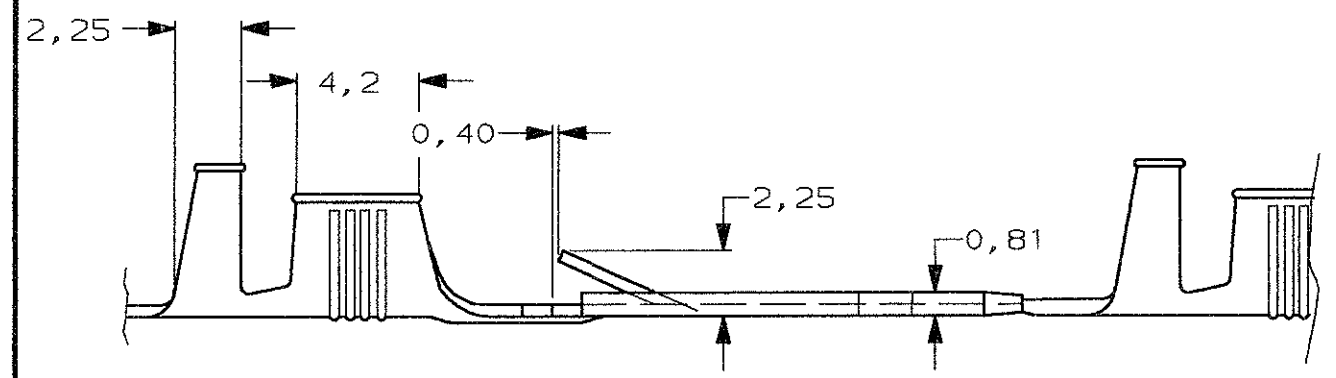
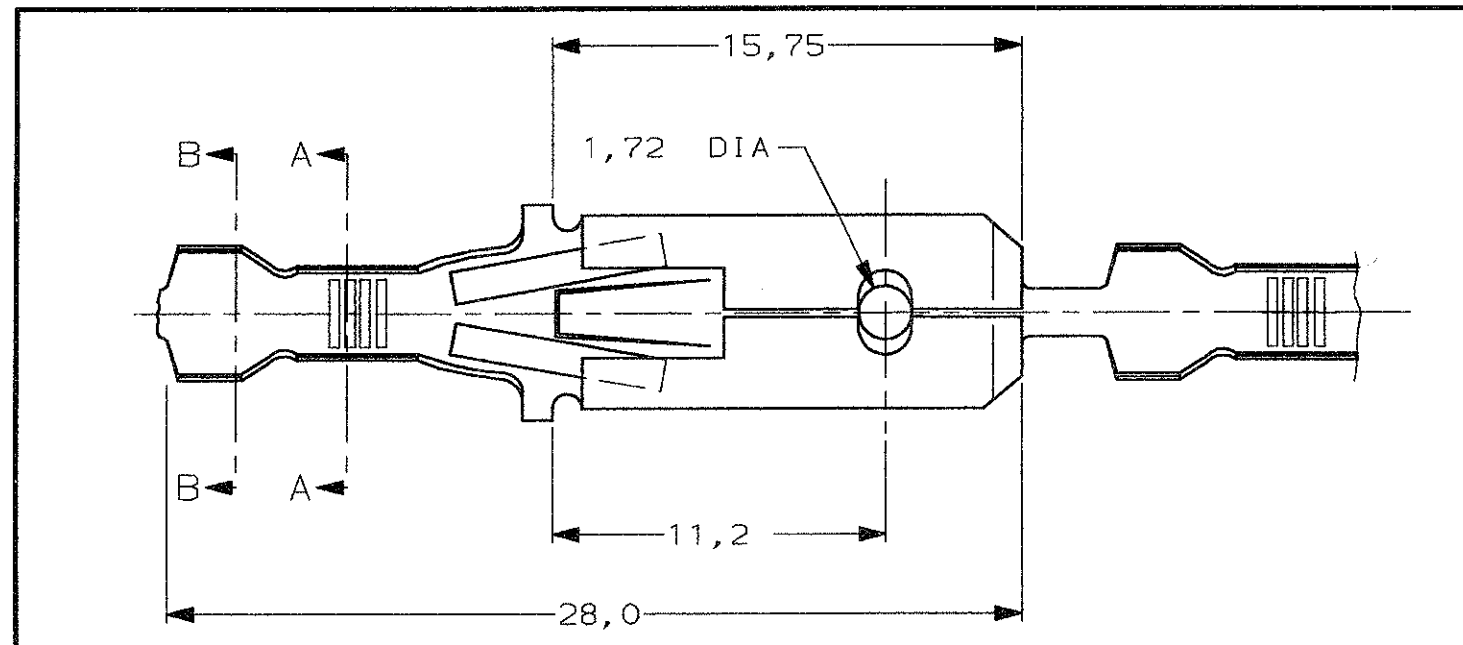
DO NOT SCALE
DIMENSIONS IN mm

METRIC

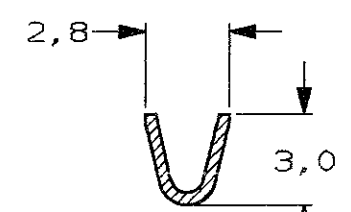
THIRD ANGLE
PROJECTION

NOTES:

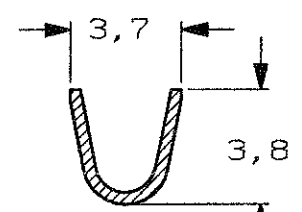
- ① FOR USE ON MINIATURE APPLICATORS (LEFT-RIGHT FEED)
- ② PH. BRONZE ELONGATION $A_{50} \geq 20\%$.



0,5 MAX.

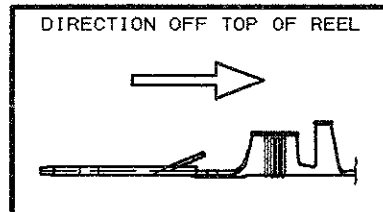


SECTION A-A



SECTION B-B

WIRE RANGE :
0,5-1,0 mm²
INSULATION RANGE :
1,4-2,3mm DIA.



PLATING	PLATING	MATERIAL	PARTNUMBER
① PRE-TINPLATED		BRASS	160859-8
① PRE-TINPLATED		Ph BRONZE	160859-7
① UNPLATED		Ph BRONZE	160859-6
① SILVERPLATED		Ph BRONZE	160859-5
① TINPLATED		Ph BRONZE	160859-4
① UNPLATED		Ph BRONZE	160859-3
① TINPLATED		BRASS	160859-2
① UNPLATED		BRASS	160859-1

LTR.	REVISION RECORD	DR.	CHK.	DATE
G1	ET00-0358-99	H.Y.	OT	17 NOV 99
G	EH-2170-98			28 JAN 99
G	EH-1981-98	D.K.	A.B.	25 NOV 98
F	EH-0034-94	DK	PB	03-02-94
E	EH-0017-94	DK	PB	19-01-94
D	H-9671	JvL	AB	23-03-92

CUSTOMER DRAWING FOR REFERENCE ONLY
WILL NOT BE UPDATED.

© COPYRIGHT 19- BY AMP ITALIA S.p.A.
ALL INTERNATIONAL RIGHTS RESERVED. AMP PRODUCTS MAY BE
COVERED BY U.S. AND FOREIGN AND/OR PATENTS PENDING.
THIS DRAWING IS UNPUBLISHED
RELEASED FOR PUBLICATION - ,19 -

AMP AMP ITALIA S.p.A.
Corso F.lli Cervi, 15
COLLEGNO (TORINO)

NAME
FASTIN-FASTON® Connector,
.250" sr. TAB CONTACT.

DR.: J.v.LIEMPT.	CHK.: A.BIJNEN.	APP.: L.v.SOEST.	DWG.No.	REV.LTR.	SHEET
DATE: 23 MAR 1992	DATE: -	DATE: -	C-160859	G1	1 OF 1

A3