

THIS DRAWING IS UNPUBLISHED.

RELEASED FOR PUBLICATION

ALL RIGHTS RESERVED.

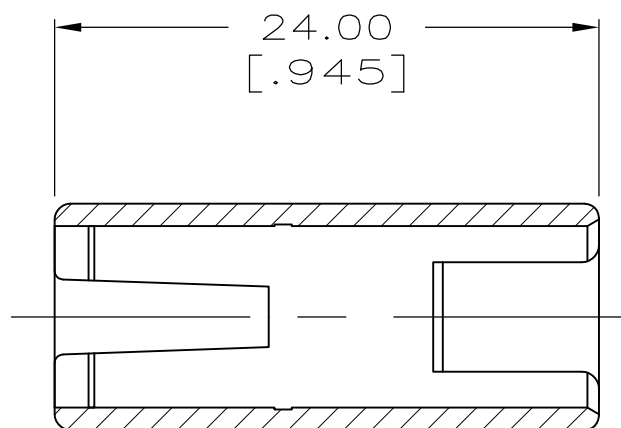
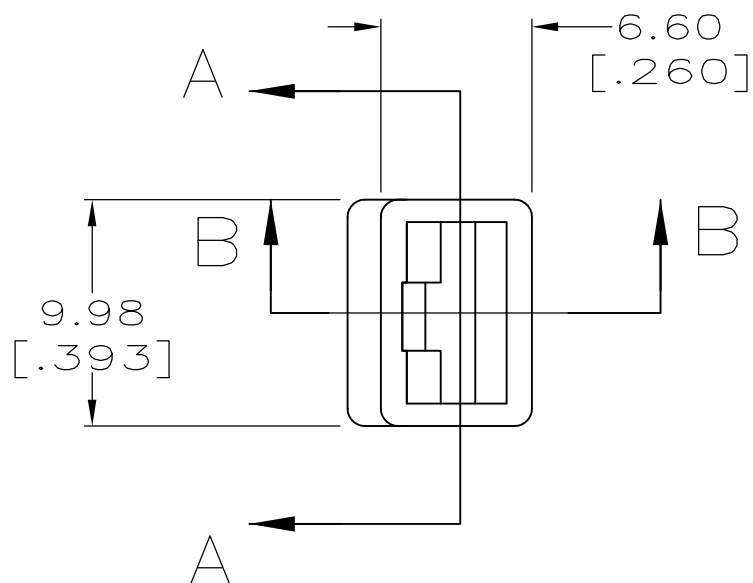
© COPYRIGHT - By -

LOC  
AF

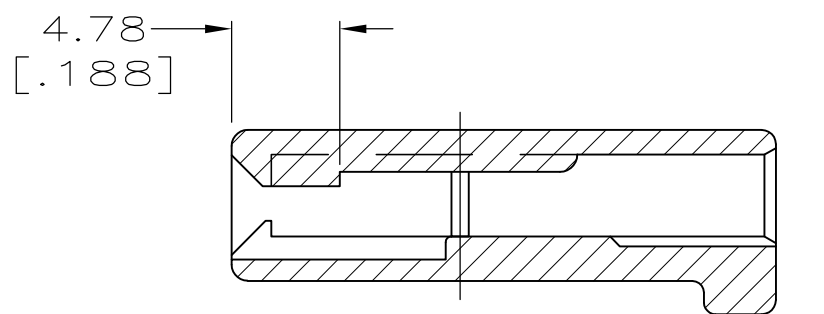
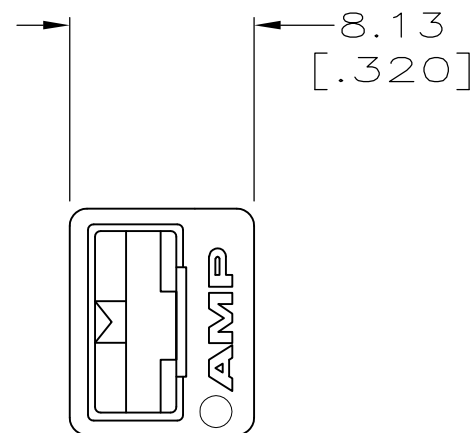
DIST  
50

REVISIONS

P	LTR	DESCRIPTION	DATE	DWN	APVD
	U1	REVISED PER ECO-11-004587	11MAR11	RK	HMR



SECTION A-A



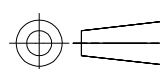
SECTION B-B

OBSOLETE

RED	6/6 NYLON	480054-5
BLACK	6/6 NYLON	480054-4
NATURAL	6/6 NYLON	480054-3
<del>BLACK</del>	<del>CYCOLAC</del>	<del>480054-2</del>
COLOR	MATERIAL	PART NO.

THIS DRAWING IS A CONTROLLED DOCUMENT.

DIMENSIONS:  
mm [INCHES]



TOLERANCES UNLESS OTHERWISE SPECIFIED:

0 PLC	± -
1 PLC	± -
2 PLC	± 0.38 [.015]
3 PLC	± -
4 PLC	± -
ANGLES	± -
FINISH	SEE TABLE

MATERIAL  
SEE TABLE

SEE TABLE

DWN	JR RUTH	08/JAN/99
CHK	MS FEHER	08/JAN/99
APVD	S HEADER	08/JAN/99
PRODUCT SPEC	-	
APPLICATION SPEC	-	
WEIGHT	-	

**STE** TE Connectivity

HOUSING, RECEPT, FASTIN-FASTON,  
SINGLE CIRCUIT, 6.35 [.250] SERIES

SIZE	CAGE CODE	DRAWING NO	RESTRICTED TO
A3	00779	C-480054	-

CUSTOMER DRAWING SCALE 3:1 SHEET 1 OF 1 REV U1