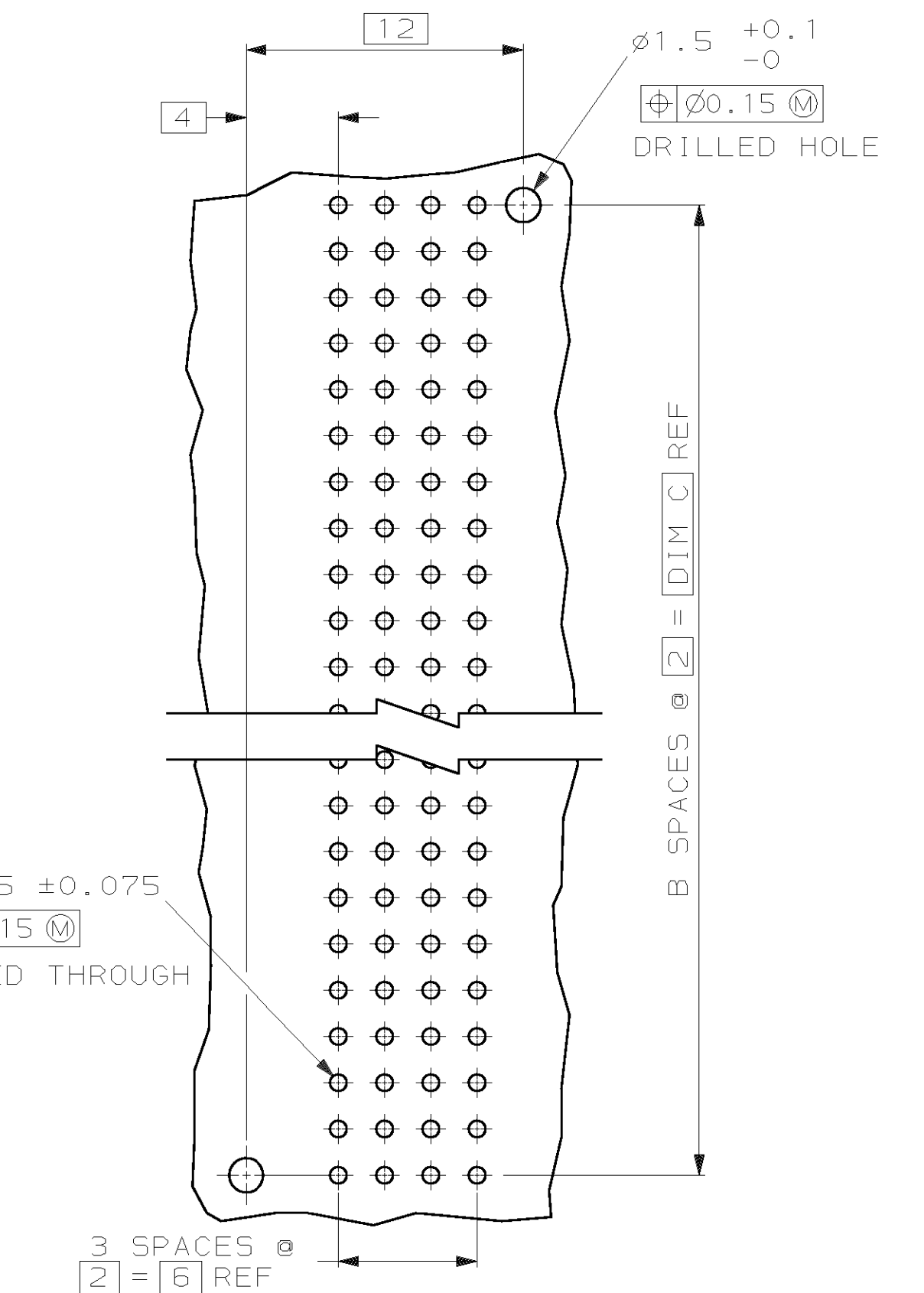
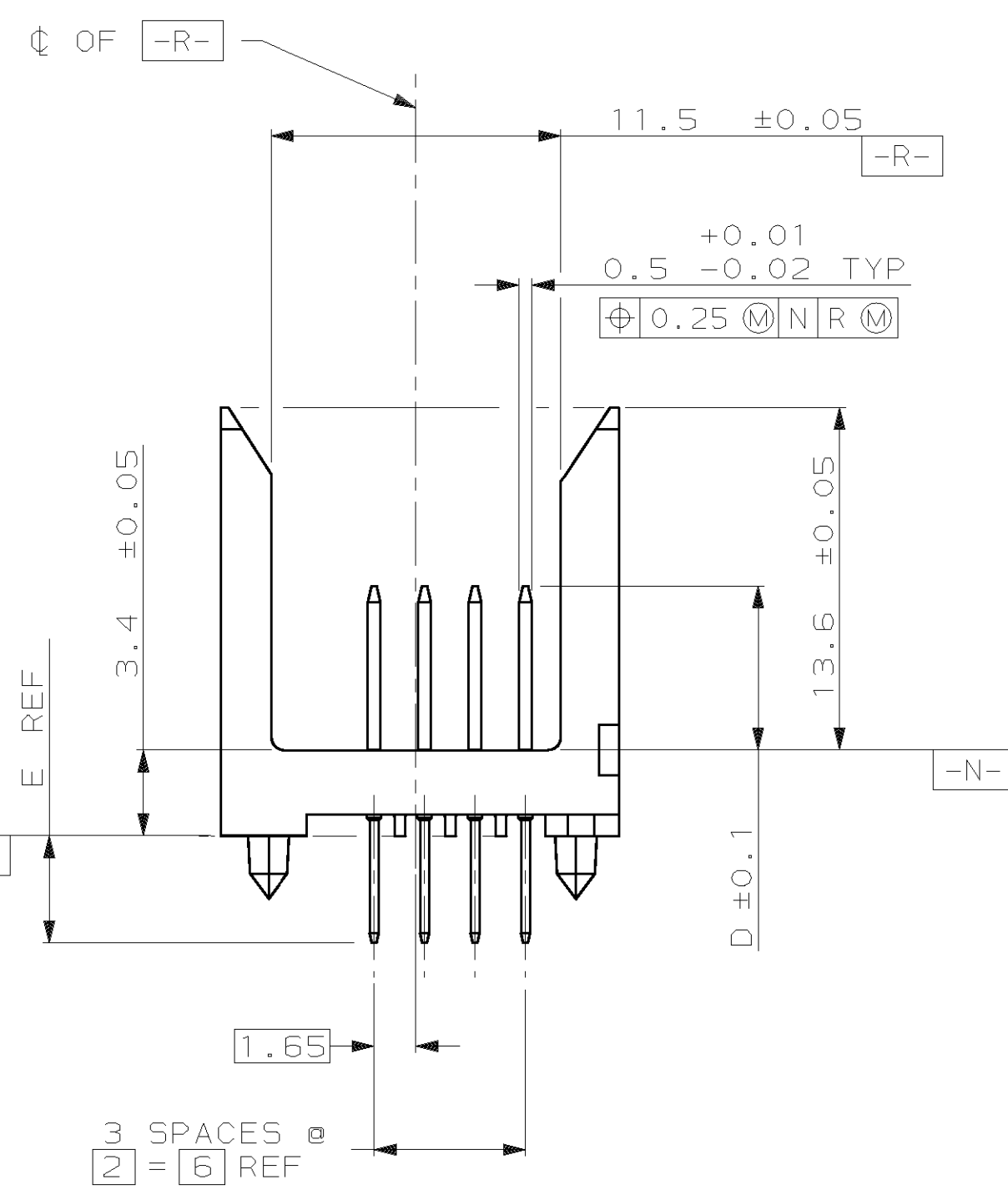
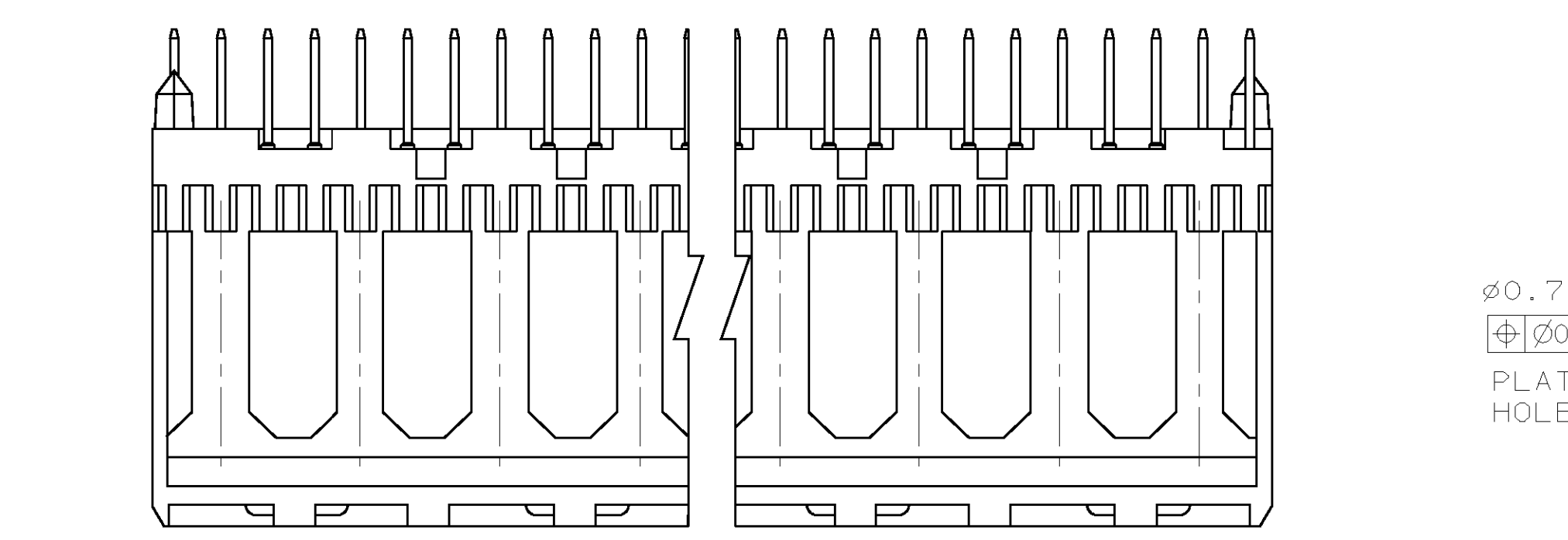
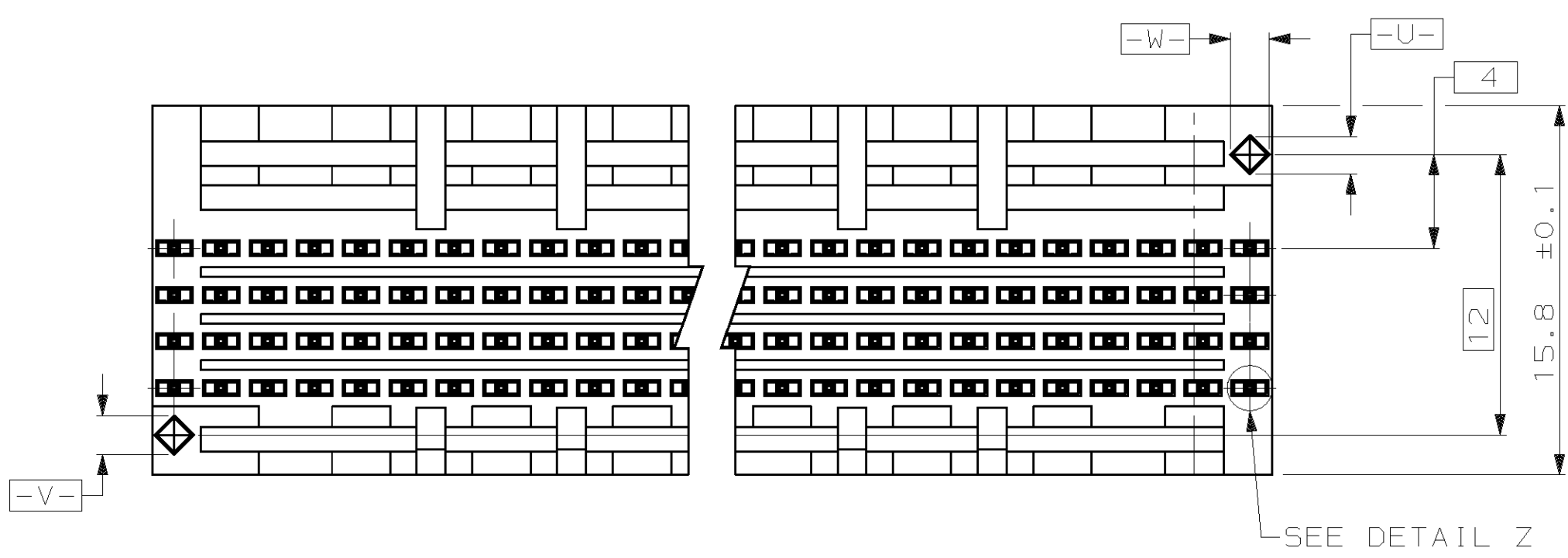
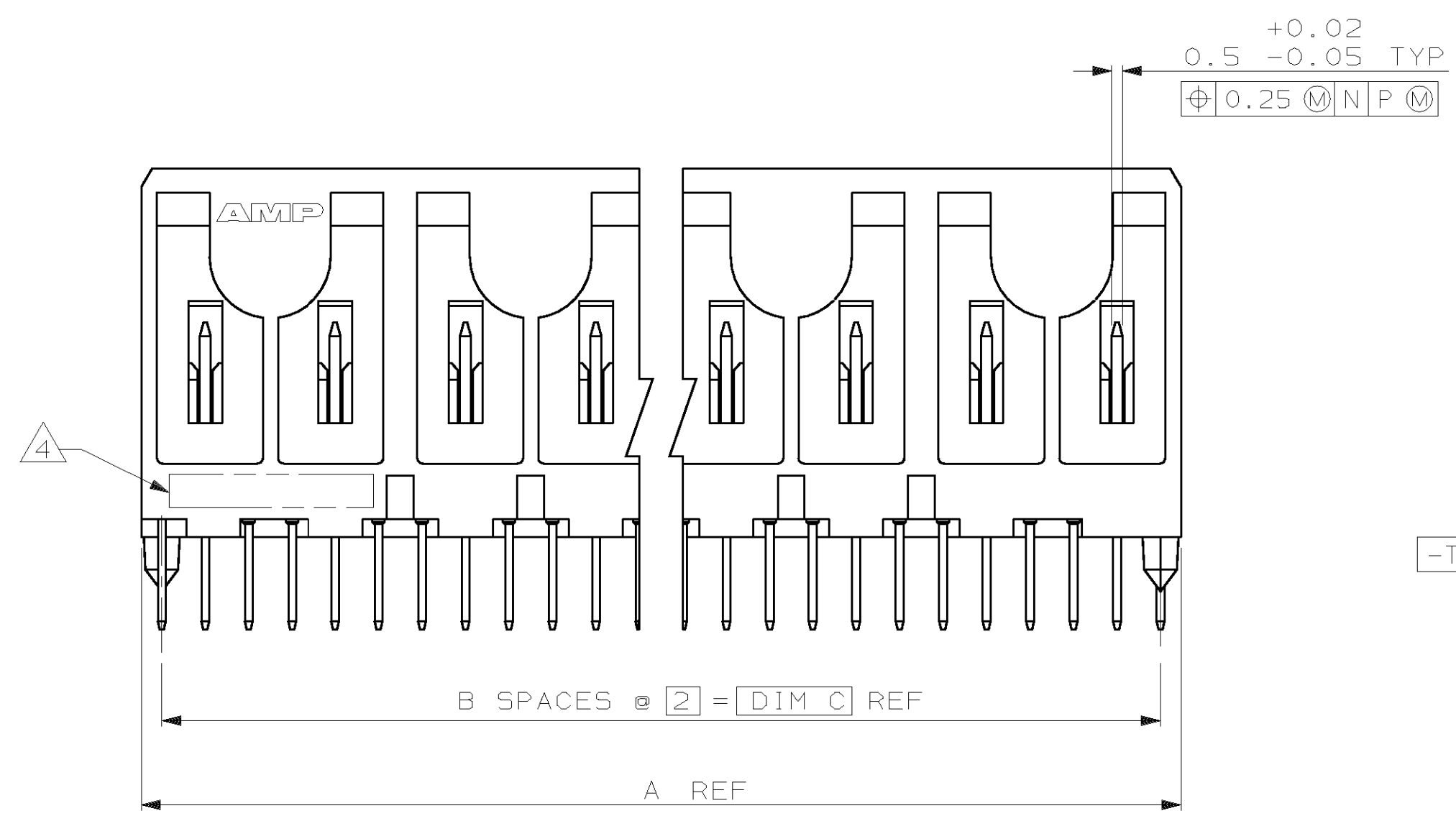
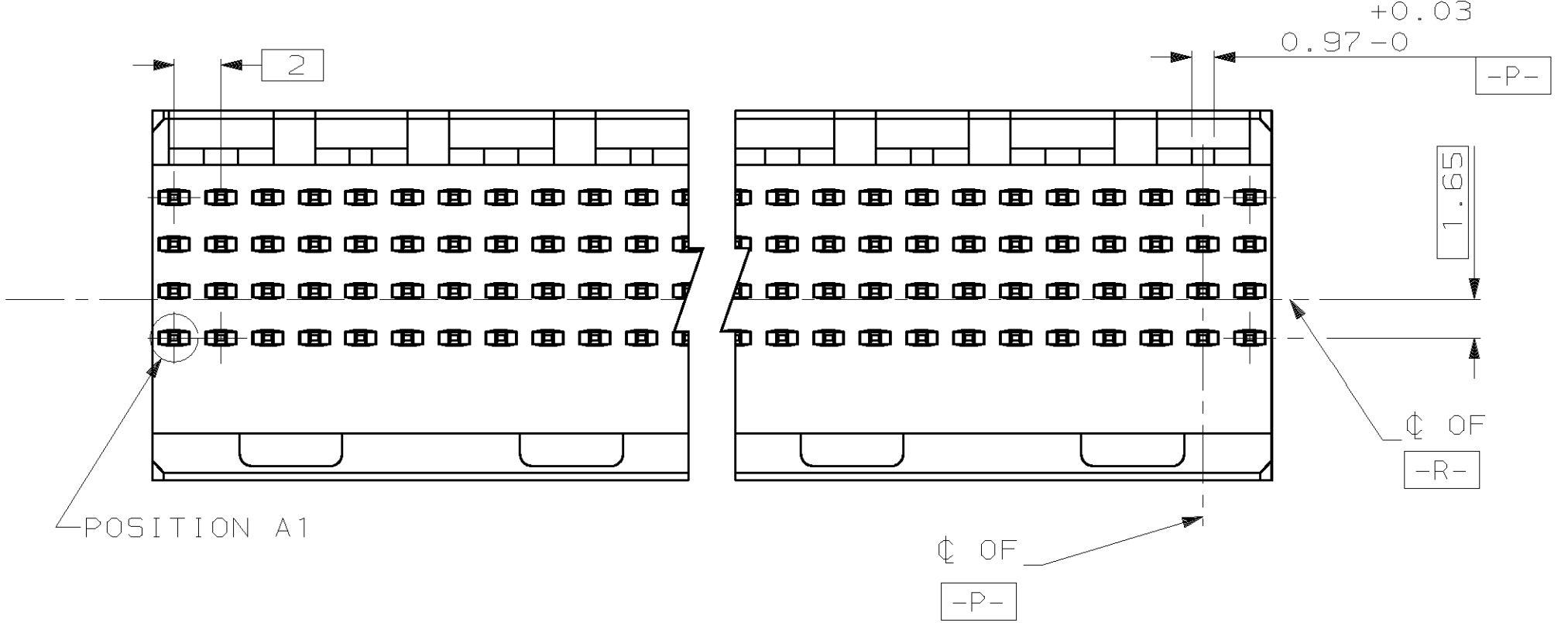
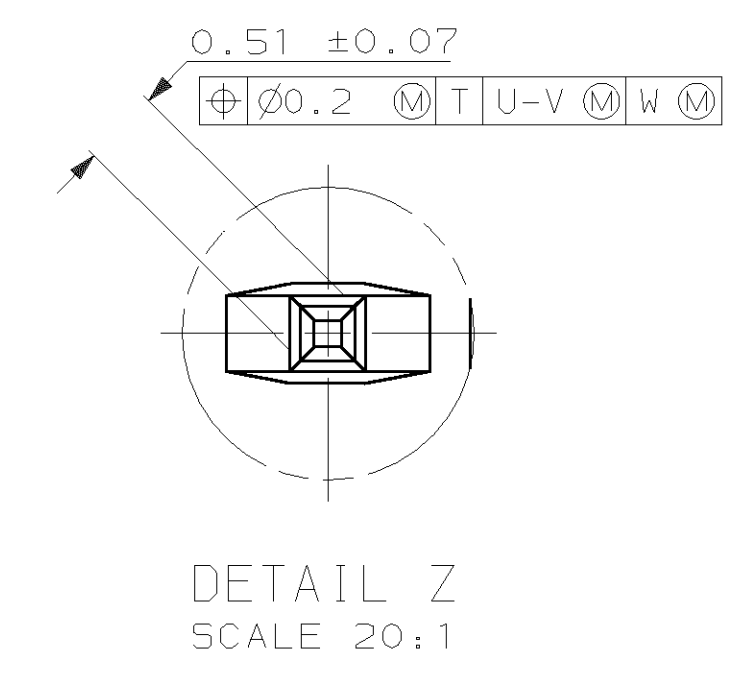


LOC		DIST		REV		REVISIONS		DATE	APPD
AD	47	P	F	ZONE	LTR	DESCRIPTION			
				L		REVISED PER 0U1B-0023-99	15NOV93		CS
				M		REV PER EC 0U1B-0155-99	17 FEB 00		CS



RECOMMENDED CIRCUIT PATTERN
 PER IPC-D300 TYPE II, CLASS C
 (COMPONENT SIDE)

- 1 HOUSING MATERIAL: LIQUID CRYSTAL POLYMER PER ASTM D5138 LCP000 G30A 32250.
- 2 CONTACT MATERIAL: PHOSPHOR BRONZE.
- 3 CONTACT FINISH:
 UNDERPLATE (ENTIRE CONTACT)-
 0.0013 MIN. NICKEL
 ON MATING SURFACES-
 FLASH GOLD PER AMP INCORPORATED SPECIFICATION, OVER
 0.0008 MIN. PALLADIUM-NICKEL PER AMP INCORPORATED SPECIFICATION, OVER
 UNDERPLATE.
 ON LEADS-
 0.004 MIN. TIN-LEAD, OVER
 UNDERPLATE.
 SURFACE CONDITIONER PER AMP SPECIFICATION 112-1002(ENTIRE CONTACT AFTER PLATING).
- 4 PART MARKING PER AMP INCORPORATED SPECIFICATION 115-9009, LOCATED APPROXIMATELY AS SHOWN.



E	D	C	B	A	NO OF POSN	PART NUMBER
4.25	6.5	34	17	35.88	72	1-536501-1
4.25	6.5	130	65	131.88	264	1-536501-0
4.25	6.5	106	53	107.88	216	536501-9
4.25	6.5	118	59	119.88	240	536501-8
4.25	6.5	82	41	83.88	168	536501-7
4.25	6.5	58	29	59.88	120	536501-6
4.25	6.5	70	35	71.88	144	536501-5
4.25	6.5	94	47	95.88	192	536501-4
4.25	6.5	46	23	47.88	96	536501-3
4.25	6.5	22	11	23.88	48	536501-2
4.25	6.5	10	5	11.88	24	536501-1



THIS DRAWING IS A CONTROLLED DOCUMENT FOR AMP INCORPORATED. IT IS SUBJECT TO CHANGE AND THE CONTROLLING ENGINEERING ORGANIZATION SHOULD BE CONTACTED FOR THE LATEST REVISION.

PART NO		AMP		AMP Incorporated	
DO NOT SCALE PRINT. UNLESS SPECIFIED DIMENSIONS IN MILLIMETERS TOLERANCES ON: 2 PLC DEC ± .13 3 PLC DEC ± - ANGLES ± -		DR 08/06/92 D.R.BENDER CHK 09/14/92 R.BENDORF APPD 09/14/92 D.R.BAECHTLE APPD 09/14/92 C.W.LINDGREN		Harrisburg, PA 17105-3608	
MATERIAL		PRODUCT SPEC		NAME Z-PACK 2mm FB, SIGNAL MODULE, PIN ASSEMBLY 2mm ϕ , 4 ROW, TABLED MATING & LEAD LENGTHS 0.0008 PALLADIUM-NICKEL, 0.004 TIN-LEAD	
FINISH		APPLICATION SPEC		SIZE D 00779	
WEIGHT		SCALE 4:1		DRAWING NO C-536501	
				SHEET 1 OF 1	

CUSTOMER DRAWING