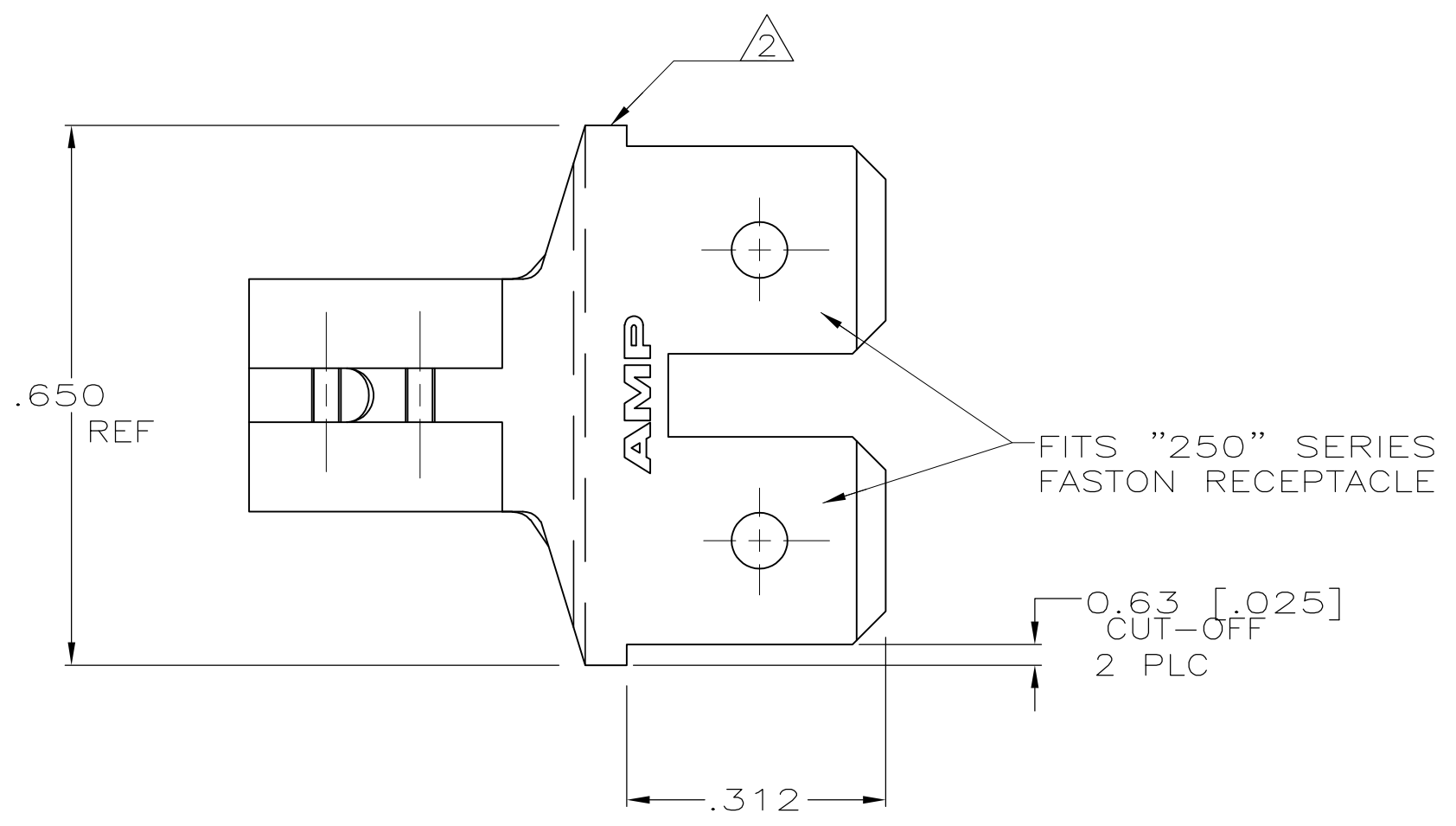
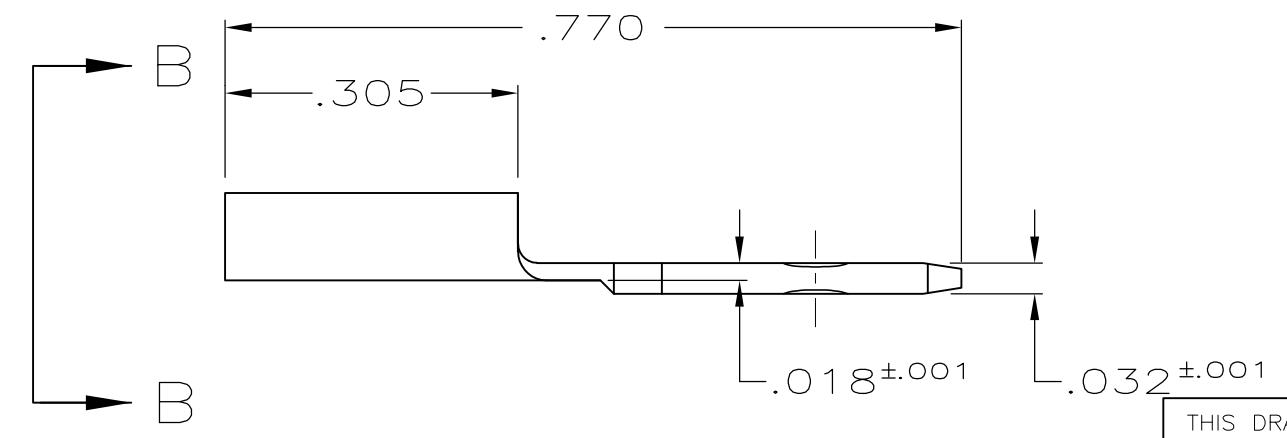
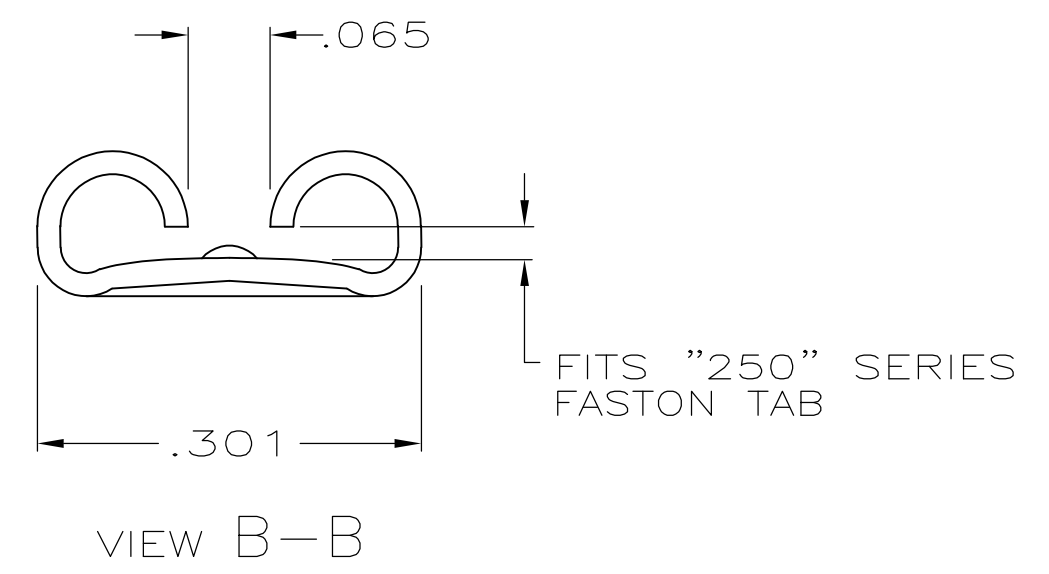


THIS DRAWING IS UNPUBLISHED. RELEASED FOR PUBLICATION
 © COPYRIGHT - By - ALL RIGHTS RESERVED.


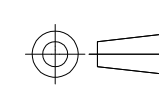
| LOC | DIST | REVISIONS | | | | | |
|-----|------|-----------|-----|---------------------------|---------|-----|------|
| AF | 50 | P | LTR | DESCRIPTION | DATE | DWN | APVD |
| | | | F1 | REVISED PER ECO-11-004820 | 11MAR11 | RK | HMR |



1 SUPPLIED IN LOOSE PIECE.
 2 BARE EDGES PERMITTED.



| | | | |
|----------------------|------------------------|---------------------|---------|
| .032 | TIN PL .000080 MIN THK | #4H PREMILLED BRASS | 61765-2 |
| MATING TAB THK ±.001 | NONE | MATERIAL | 61765-1 |
| | FINISH | | |

| | | | | | |
|---|--|-----------------------|---|--|--|
| THIS DRAWING IS A CONTROLLED DOCUMENT. | | DWN DK SCHRUM 3/10/86 |  TE Connectivity | | |
| DIMENSIONS: INCHES | | CHK JR RUTH 3/10/86 | | | NAME RECEPTACLE AND TABS, FASTON, ADAPTER, 250 SERIES |
|  | | APVD C MEYERS 3/15/86 | | | |
| TOLERANCES UNLESS OTHERWISE SPECIFIED: | | PRODUCT SPEC | SIZE | | |
| 0 PLC ± - | | APPLICATION SPEC | CAGE CODE | | |
| 1 PLC ± - | | WEIGHT | DRAWING NO | | |
| 2 PLC ± - | | CUSTOMER DRAWING | RESTRICTED TO | | |
| 3 PLC ± .015 | | | SCALE 5:1 | | |
| 4 PLC ± - | | | SHEET 1 OF 1 | | |
| ANGLES ± - | | | REV F1 | | |
| MATERIAL SEE TABLE | | | FINISH SEE TABLE | | |