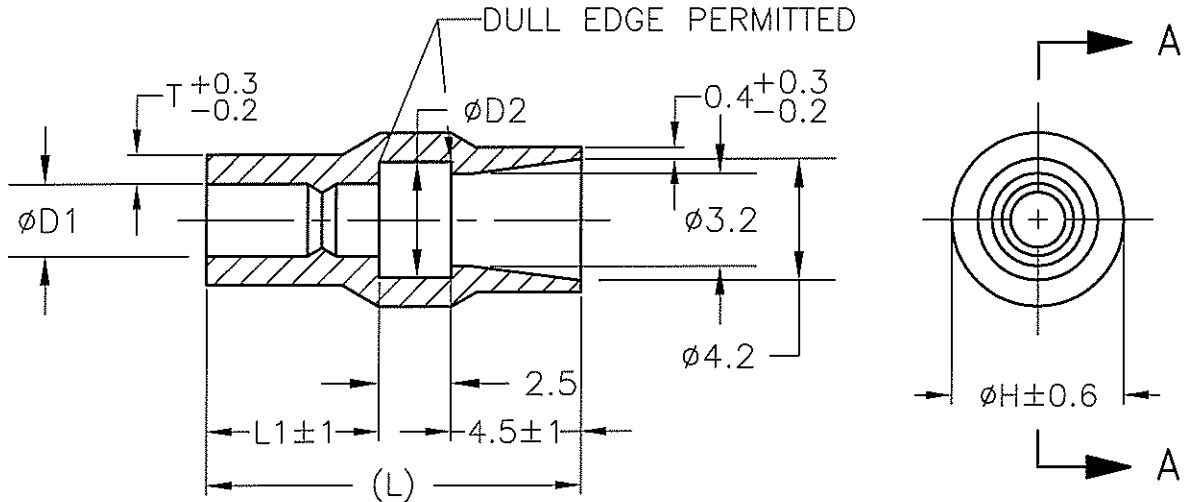


LOC J	DIST —	REVISIONS 変更			DATE	DWN	APVD
P	LTR	DESCRIPTION					
	<b>D2</b>	REVISED PER ECO-11-005030			22MAR11	RK	HMR



1. 材質: SS-108 (一般)
2. 一般公差: ±0.5
3. 適用製品規格は無し

△ 品川商工発行のカタログと本図で寸法を優先する。

法が異なる場合は

1. MATERIAL: SS-108 (GENERAL)
  2. GENERAL TOLERANCE: ±0.5
  3. APPLICABLE PRODUCT SPEC NOT AVAILABLE
- △ IN THE EVENT OF CONFLICT BETWEEN THE REQUIREMENTS OF THIS CUSTOMER DRAWING AND THE SHINAGAWA SHOKO CO LTD CATALOG THIS CUSTOMER DRAWING SHALL TAKE PRECEDENCE

△ OBSOLETE PARTS: OBSOLETE CIS STREAMLINING PER D.RENAUD/D.SINISI

△ OBSOLETE

CLEAR	14	7	4.5	1.5	0.6	5.9	224215	<del>170887-5</del>
	13	6		3.5	0.7		224235	170887-4
	14	7		3.2			224232	170887-3
BLACK	13	6	4	2.5	5.4	224225B	170887-2	
CLEAR						224225	170887-1	
COLOR	L	L1	φD2	φD1	T	H	SHINAGAWA SHOKO PN	PN

X-170892-X	SEE 170892
X-170893-X	SEE 170893
X-170889-X	SEE 170889
X-170888-X	SEE 170888
X-170890-X	SEE 170890
X-170891-X	SEE 170891
X-170823-X	SEE 170823
PN	REMARK

RELEASED FOR PUBLICATION

ALL RIGHTS RESERVED.

THIS DRAWING IS UNPUBLISHED.

© COPYRIGHT

DIMENSIONS: 単位: 耗 MM		DWN A.YAMAGUCHI 31 AUG 00	WIRE RANGE 抱合電線断面積		INSULATION DIA 被覆外径	
TOLERANCES UNLESS OTHERWISE SPECIFIED: 一般公差		CHK D.MATSUURA 31 AUG 00	MATERIAL 材料		FINISH 仕上	
0 PLC ± —		APVD K.BETSUI 31 AUG 00				
1 PLC ± —		PRODUCT SPEC 製品規格				
2 PLC ± —		APPLICATION SPEC 取付適用規格	NAME 名称			
3 PLC ± —		WEIGHT	CONNECT SLEEVE FOR			
4 PLC ± —		CUSTOMER DRAWING	5DIA SERIES SHUR PLUG RECEPTACLE			
ANGLES ± —			SIZE	CAGE CODE	DRAWING NO 番号	RESTRICTED TO
			A4	00779	C-170887	—
			SCALE 尺度	4:1	SHEET 張	1 OF 1
			REV	D2		