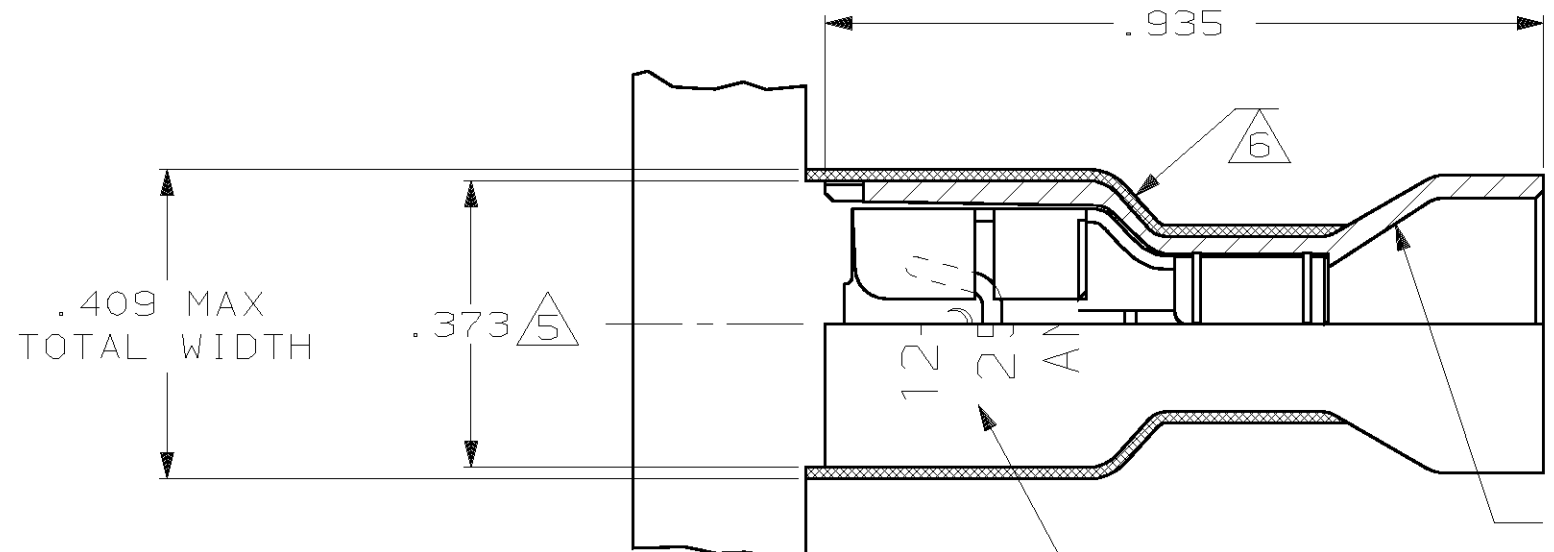
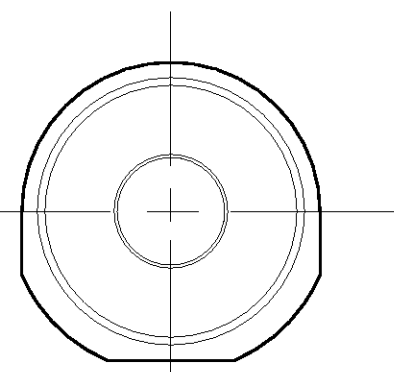
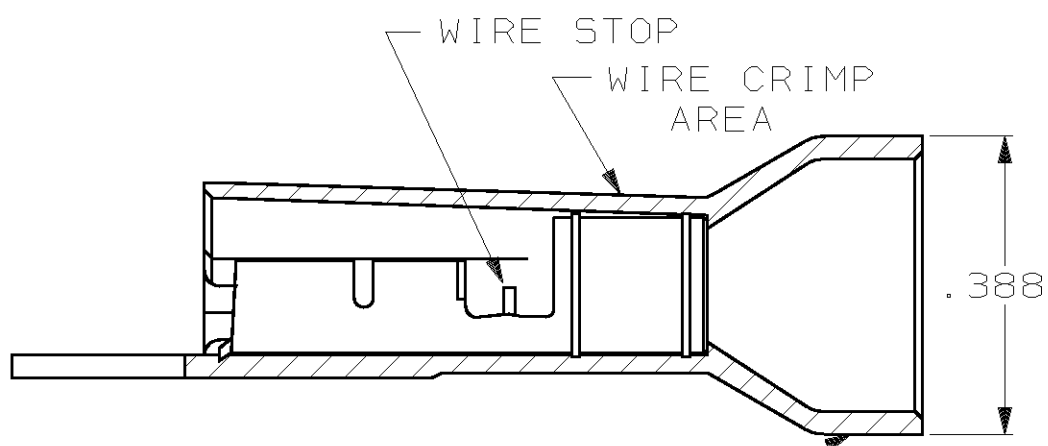
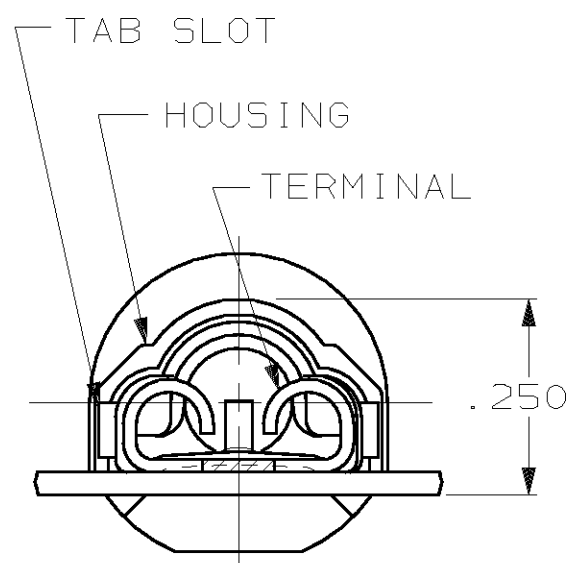


THIS DRAWING IS UNPUBLISHED. RELEASED FOR PUBLICATION, 19
 © COPYRIGHT 19 BY AMP INCORPORATED. ALL INTERNATIONAL RIGHTS RESERVED.

LOC AF	DIST 50	P	F	ZONE	LTR	REVISIONS	DATE	APPD
					J	REV PER 0G1A-0147-99	3JUN99	JR JH



- 1 MATES WITH .032±.001×.250 TAB
- 2 WIRE STRIP LENGTH .312
- 3 INSULATION SIZE .320 MAX DIA
- 4 CONTINUOUS STRIP ON REELS
- 5 DIMENSION DOES NOT INCLUDE TRIM BURR
- 6 .015 MAX CARRIER TRIM BURR PER SIDE IS ALLOWABLE IN THE SHADED AREA



HOUSING: NYLON, COLOR-BLACK	9-520447-2
RECEPTACLE: #3 HARD BRASS, TIN .000080 MIN	
HOUSING: NYLON, COLOR-YELLOW TRANSLUCENT	4-520447-2
RECEPTACLE: #3 HARD BRASS, TIN .000080 MIN	
MATERIAL & FINISH	PART NO

DO NOT SCALE PRINT. UNLESS SPECIFIED DIMENSIONS IN INCHES TOLERANCES ON: 2 PLC DEC ± - 3 PLC DEC ± .015 ANGLES ± -	DR 11/4/88 P FORTNEY	AMP INCORPORATED Harrisburg, Pa. 17105
	CHK 11/7/88 MS FEHER	
MATERIAL SEE TABLE	APPD 11/7/88 K RANDOLPH	NAME RECEPTACLE ASSEMBLY, ULTRA-FAST, .250 SERIES, 12-10 AWG
	APPD 11/10/88 TL SHUTTER	
FINISH SEE TABLE	PRODUCT SPEC 108-2043	SIZE B
	APPLICATION SPEC 114-2123	FSCM NO 00779
WEIGHT -		DRAWING NO 520447
	SCALE 4:1	SHEET 1 OF 1