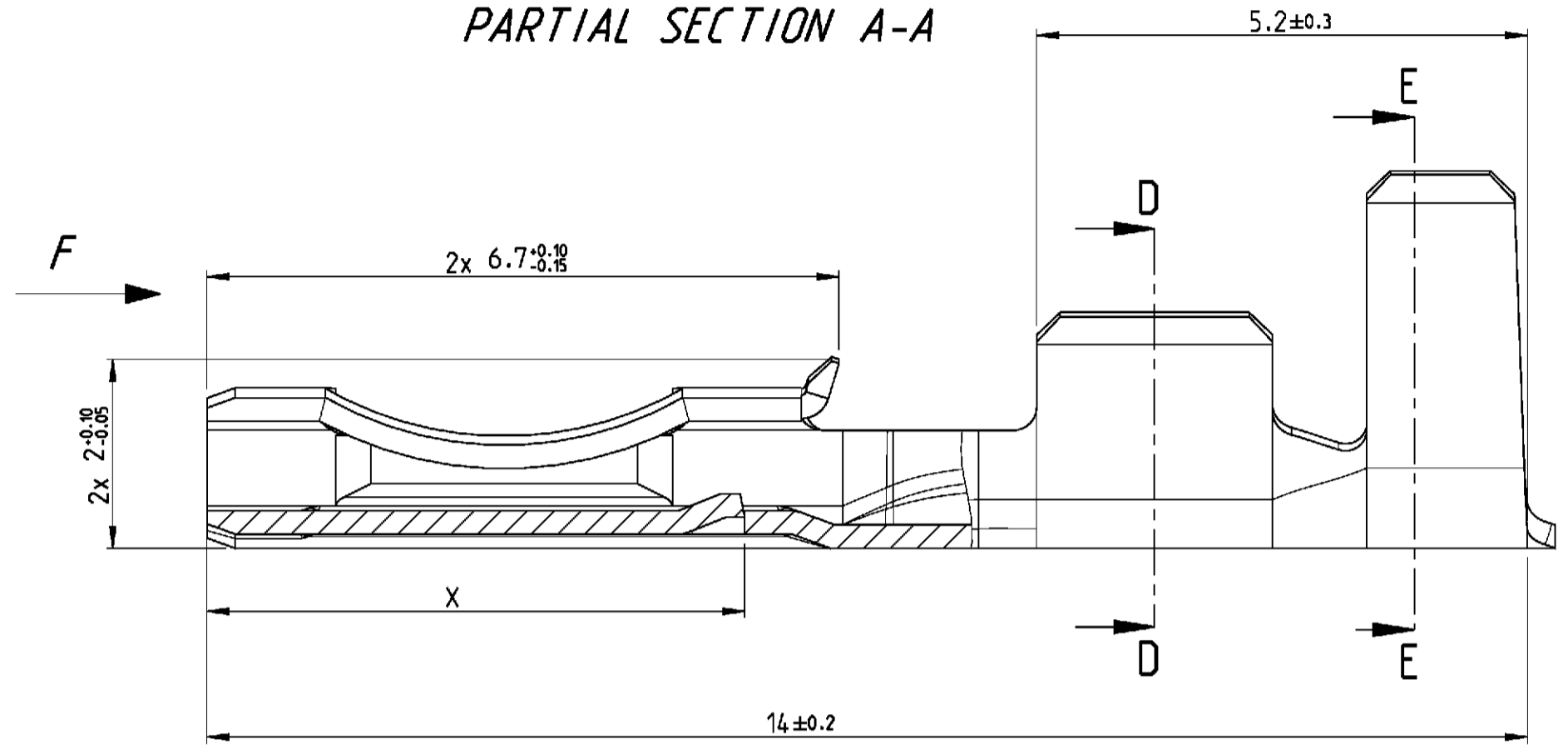


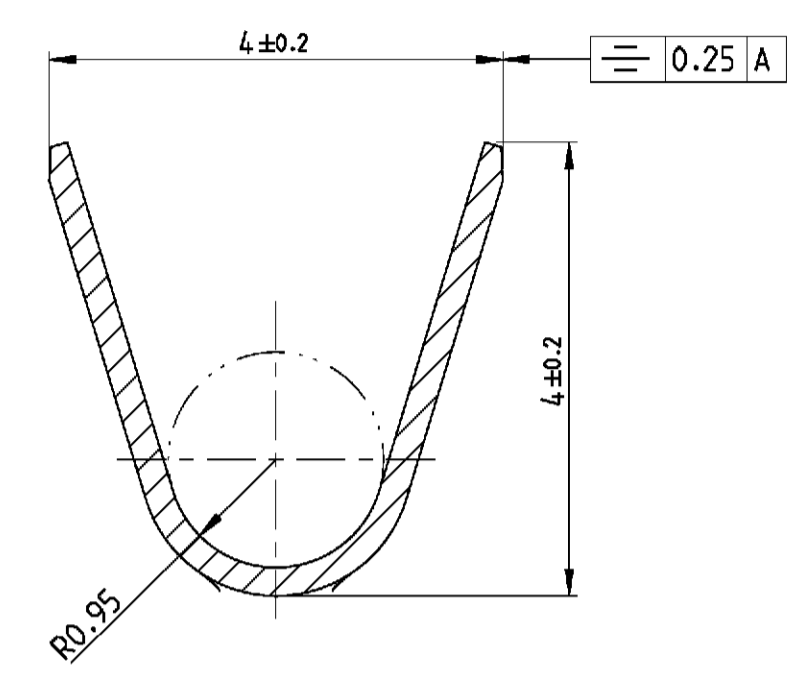
THIS DRAWING IS UNPUBLISHED. RELEASED FOR PUBLICATION 2010
 © COPYRIGHT 2010 BY TYCO ELECTRONICS CORPORATION. ALL INTERNATIONAL RIGHTS RESERVED.

LOC		DIST		REVISIONS			
P	LTR	DESCRIPTION	DATE	DWN	APVD		
A1	-	D	DRAWING IN TE STANDARD	31AUG10	PFs	JDf	

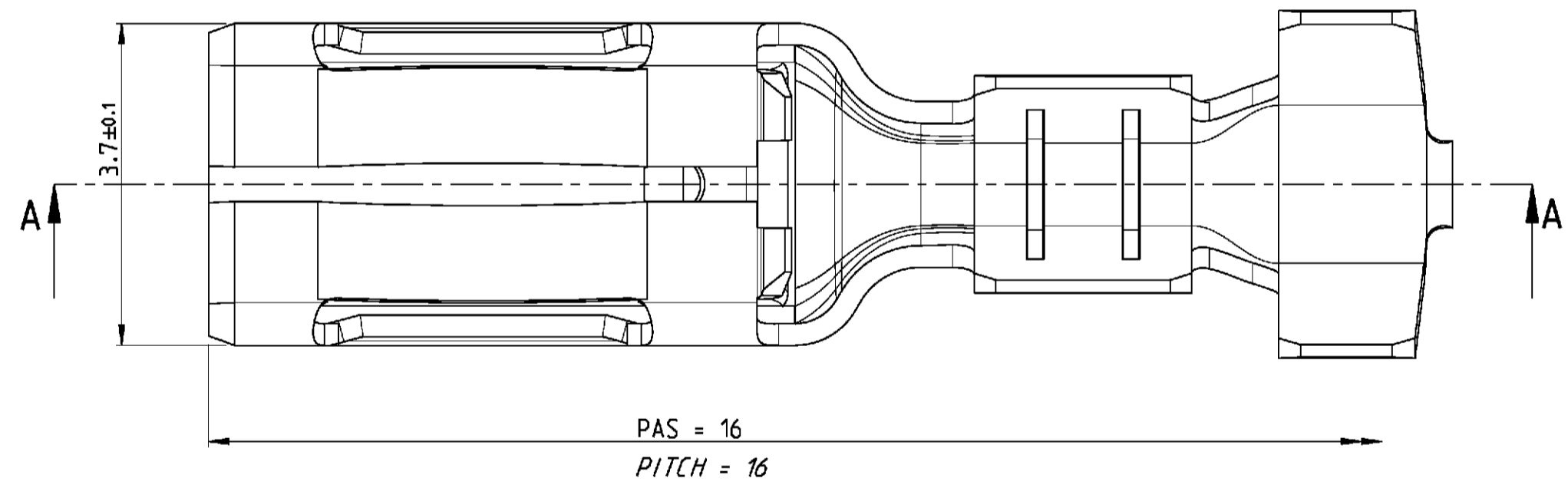
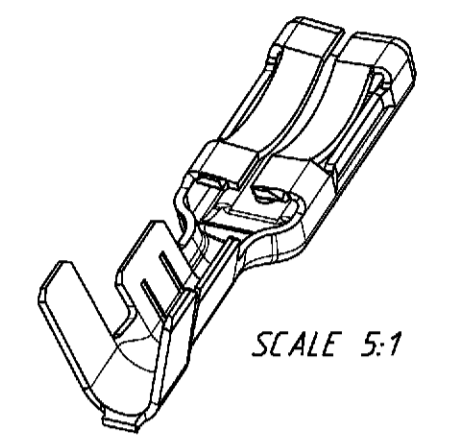
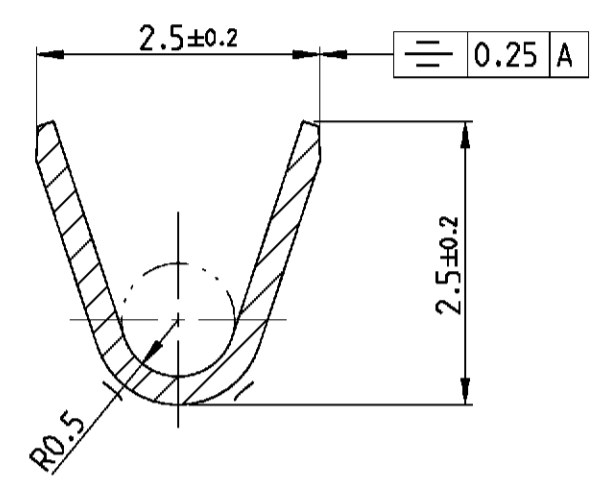
PARTIAL SECTION A-A



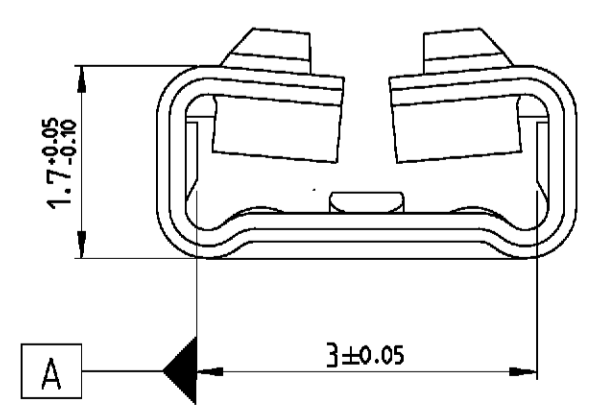
SECTION E-E



SECTION D-D



VIEW ACCORDING F WITHOUT CRIMPING WINGS



CUSTOMER PART NUMBER	TE PART NUMBER	USED WITH TAB THICKNESS =	STANDARD	MATERIAL	THICKNESS = 0.25	SURFACE FINISH	X	1st INSERTION WITHOUT SPIGOT	1st INSERTION	1st EXTRACTION	AVERAGE	MINI ALONE	10th EXTRACTION FORCES (DIN)
1-1544545-2	0.8		DIN	BRASS CuZn30	PRE-TINNED 1 TO 3µ								≥6
1-1544545-1	0.5				BLANK								
1-1544545-0	0.8												
1544545-9	0.5												
1544545-8	0.8			STEEL XC18	POST-Ni 3 TO 6µ								
1544545-7	0.5			BRONZE CuSn4P	PRE-TINNED 1 TO 3µ								
1544545-6	0.5		CEI	BRASS CuZn30	PRE-TINNED 1 TO 3µ								
1544545-5	0.8												
1544545-4	0.5												
1544545-3	0.8												
1544545-2	0.8												
1544545-1	0.5												

WITH STEEL CALIPER, SAMPLES DEGREASED

WITH BRASS BLANK TAB ACCORDING CEI 760 OR DIN SAMPLES WITHOUT DEGREASING

INSERTION AND EXTRACTION FORCES IN "N", TEST NUMBER = 10

DIMENSIONS: mm		TOLERANCES UNLESS OTHERWISE SPECIFIED:		DWN P.FLORES 31AUG10	Tyco Electronics Tyco Electronics France SAS 577 Av. de la Boisse, 73000 Chambéry	
MATERIAL: SEE TABLE		FINISH: SEE TABLE		CHK E.SAPET 31AUG10	NAME: 2.8 MM FEMALE TERMINAL STANDARDS CEI AND DIN WIRE RANGE 0.5 TO 1 SQUARE MM	
MATERIAL: SEE TABLE		FINISH: SEE TABLE		APVD J.DAHER 31AUG10	SIZE: A2 CAGE CODE: 00779 DRAWING NO: C-1544545 RESTRICTED TO: -	
MATERIAL: SEE TABLE		FINISH: SEE TABLE		PRODUCT SPEC: -		SCALE: 15:1 SHEET 1 OF 1 REV D
MATERIAL: SEE TABLE		FINISH: SEE TABLE		APPLICATION SPEC: -		
MATERIAL: SEE TABLE		FINISH: SEE TABLE		WEIGHT: -		
MATERIAL: SEE TABLE		FINISH: SEE TABLE		CUSTOMER DRAWING		