

THIS DRAWING IS UNPUBLISHED.

RELEASED FOR PUBLICATION

LOC

DIST

REVISIONS

© COPYRIGHT - By -

ALL RIGHTS RESERVED.

AF

50

P

LTR

DESCRIPTION

DATE

DWN

APVD

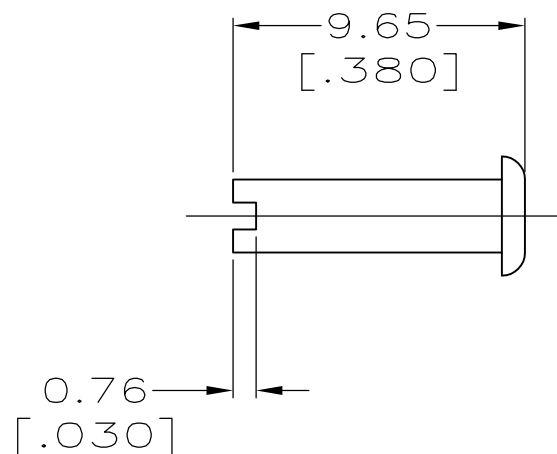
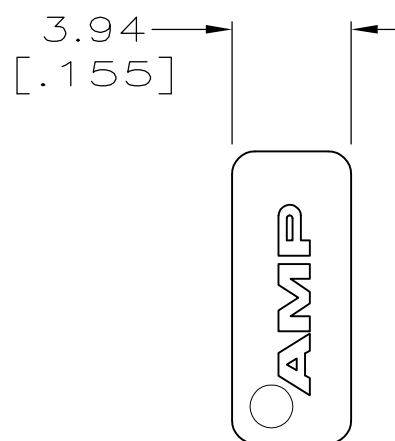
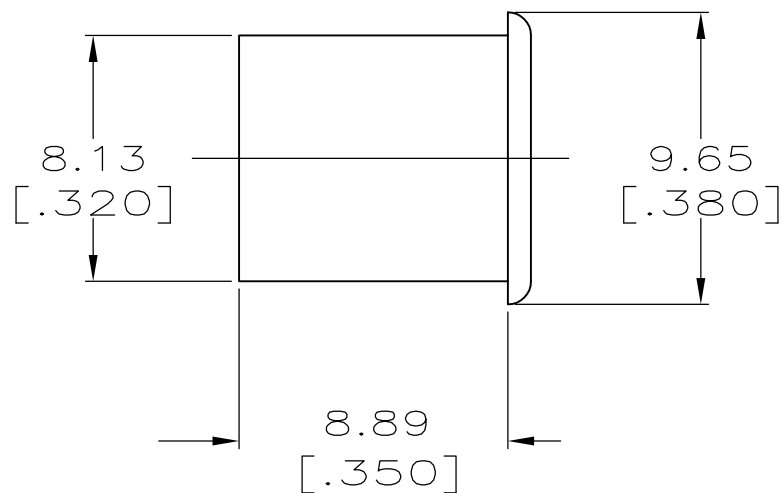
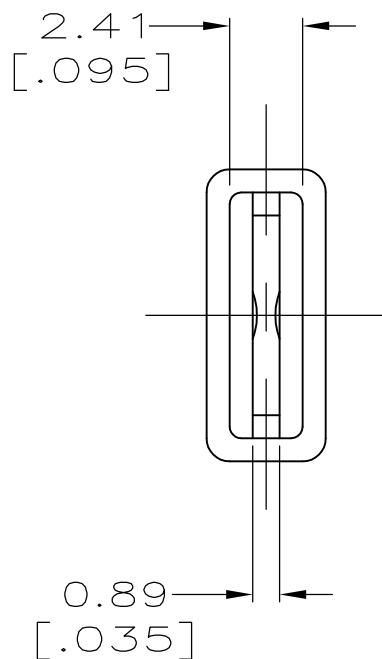
D2

REVISED PER ECO-11-004917

11MAR11

RK


HMR



1 TO FIT ANY STANDARD 6.35 [.250] SERIES TAB 0.81 [.032] THICK.

2 PRELIMINARY - NOT FOR PRODUCTION

NATURAL	NYLON 6/6, V0	2 360042-3
BLACK	NYLON 6/6, V2	2 360042-2
NATURAL	NYLON 6/6, V2	360042-1
COLOR	MATERIAL	PART NO.

THIS DRAWING IS A CONTROLLED DOCUMENT.		DWN	JR RUTH	12/15/98	 TE Connectivity								
DIMENSIONS: mm		CHK	MS FEHER	12/15/98				NAME					
TOLERANCES UNLESS OTHERWISE SPECIFIED:		APVD	S UNGER	12/15/98							CAP, TAB, 6.35 [.250] SERIES		
0 PLC ± - 1 PLC ± - 2 PLC ± 0.38 [.015] 3 PLC ± - 4 PLC ± - ANGLES ± -		PRODUCT SPEC	-					RESTRICTED TO					
MATERIAL SEE TABLE		FINISH	SEE TABLE		SIZE	A3	CAGE CODE				00779	DRAWING NO	C-360042
		CUSTOMER DRAWING			WEIGHT	-		SCALE	4:1	SHEET	1 OF 1	REV	D2