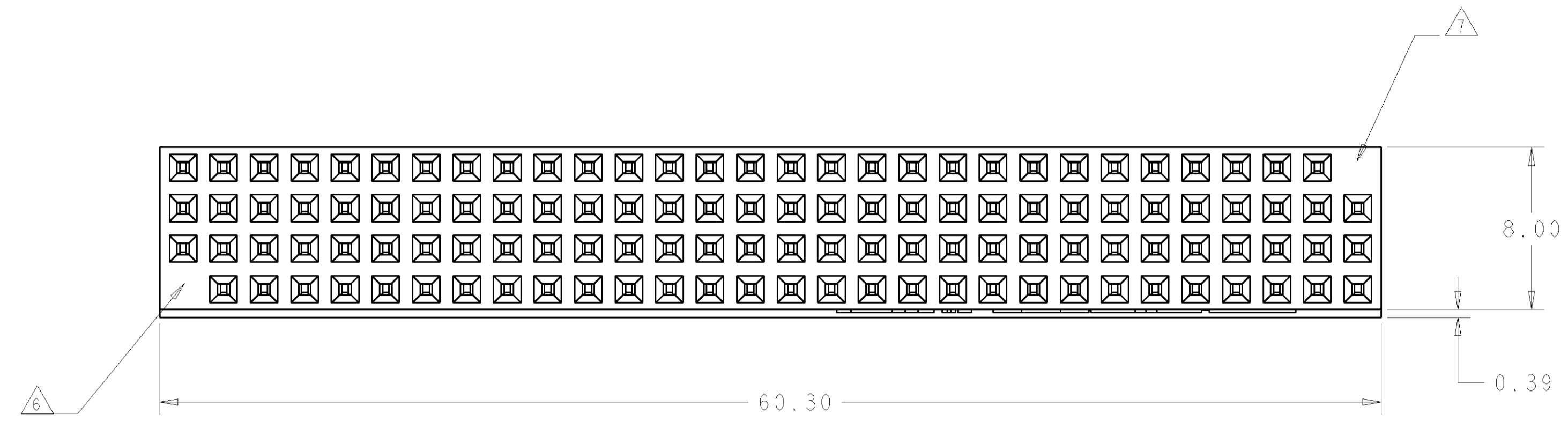
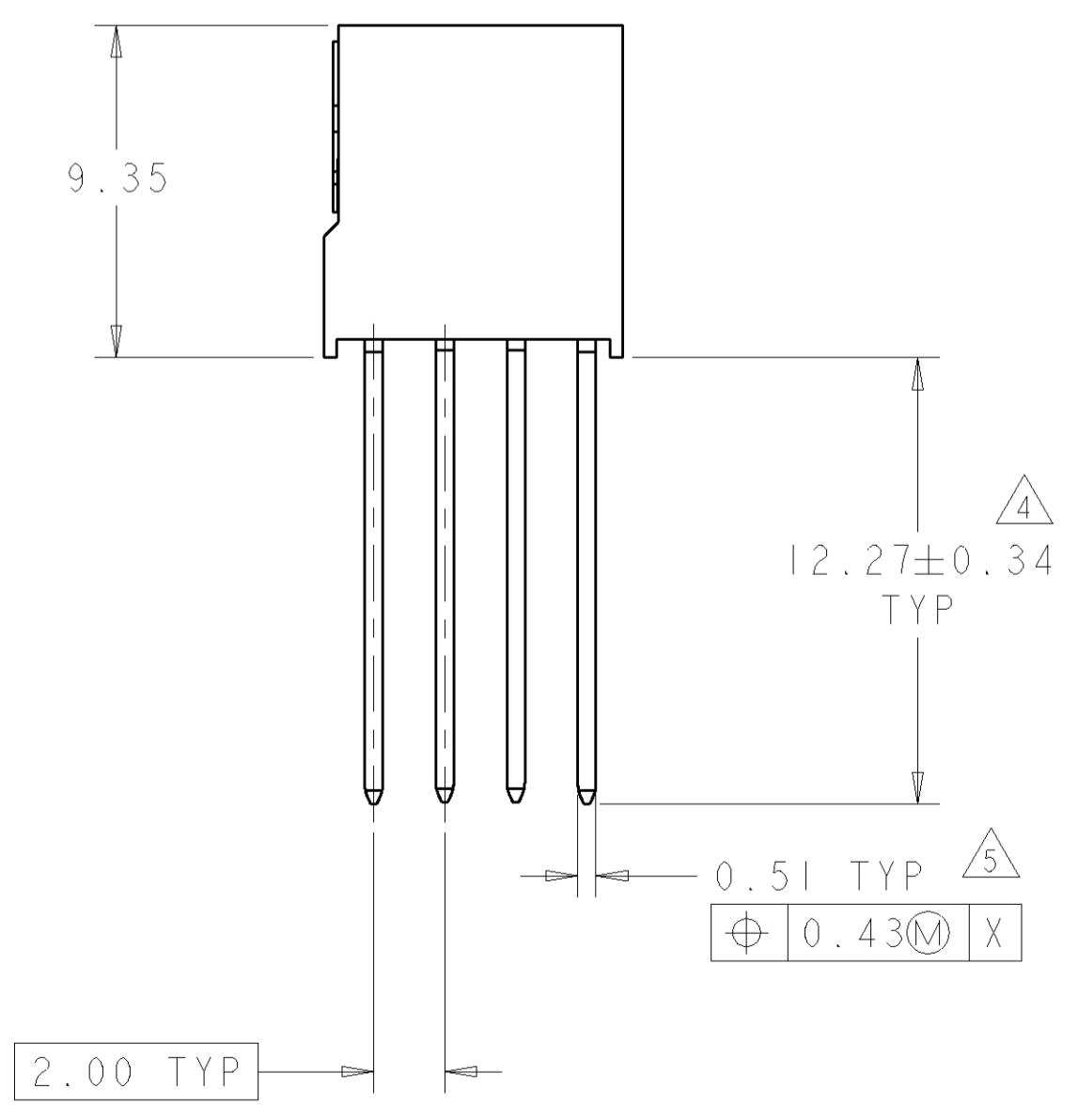
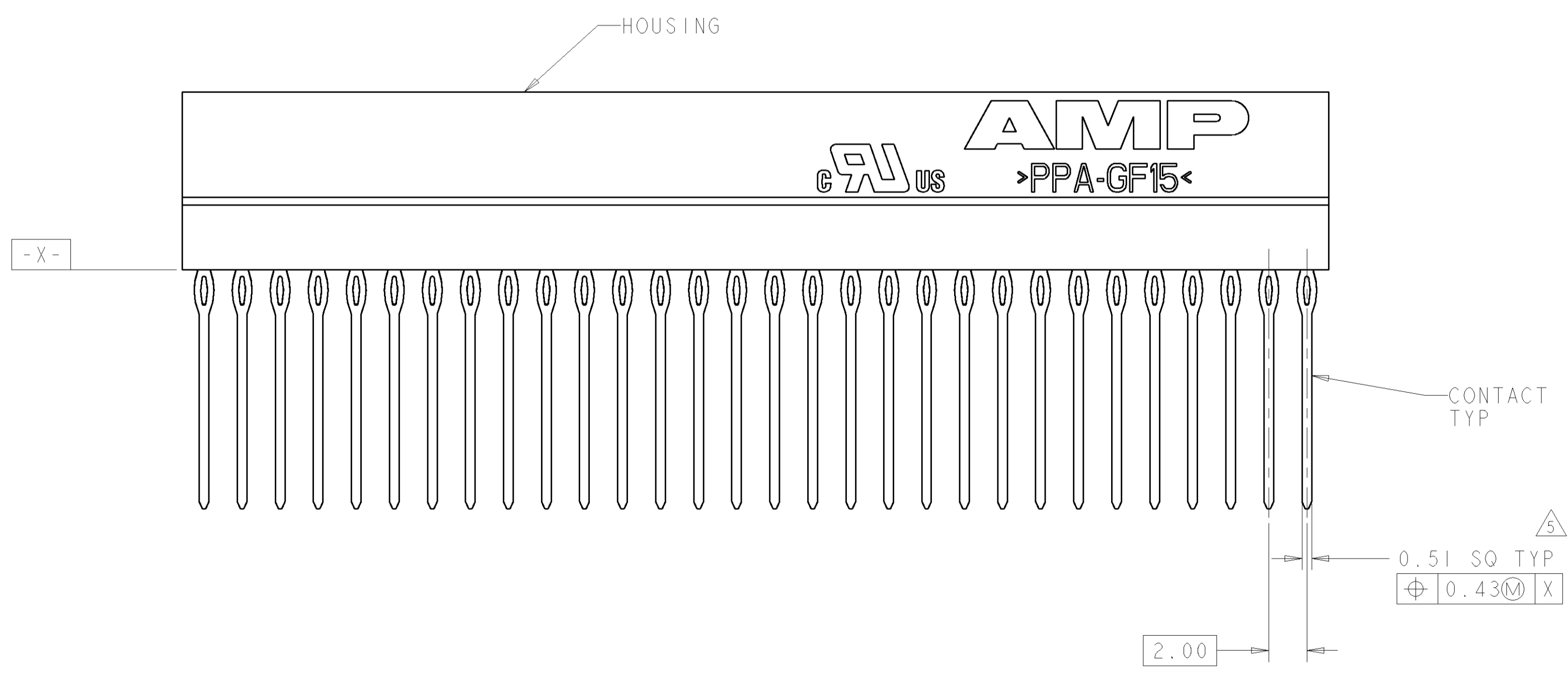


LOC	DIST	REV	DATE	BY	APPD
AD	00				

REVISIONS			
REV	DATE	BY	APPD
F	063C-0184-05	31AUG2005	RB JO
G	ECO-06-7871	28SEP2006	MB JO
H	ECO-07-006955	11APR2007	RB JO



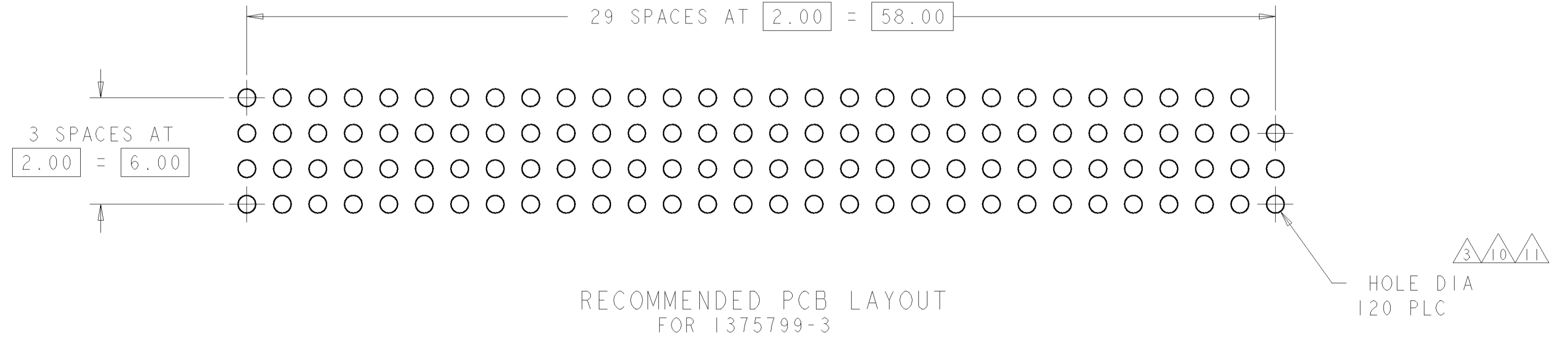
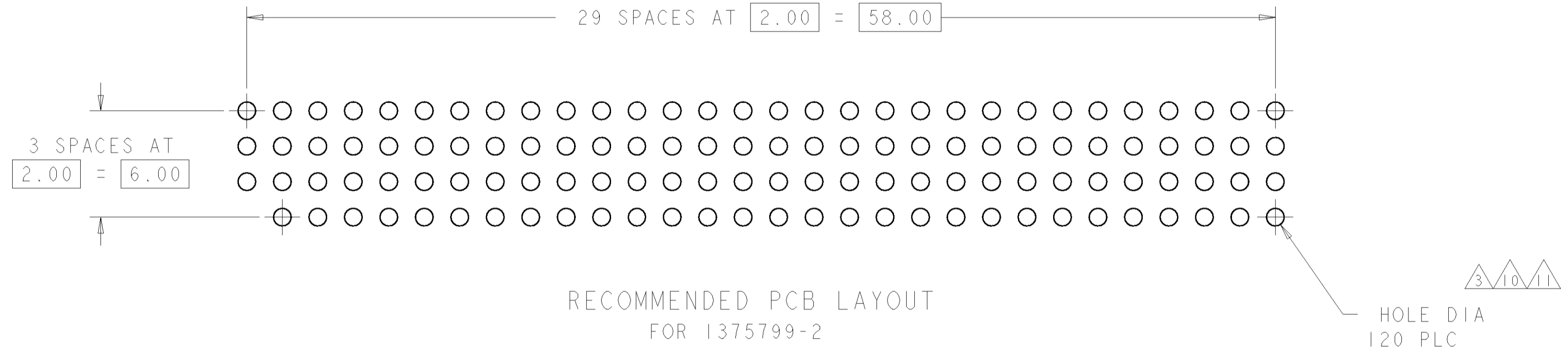
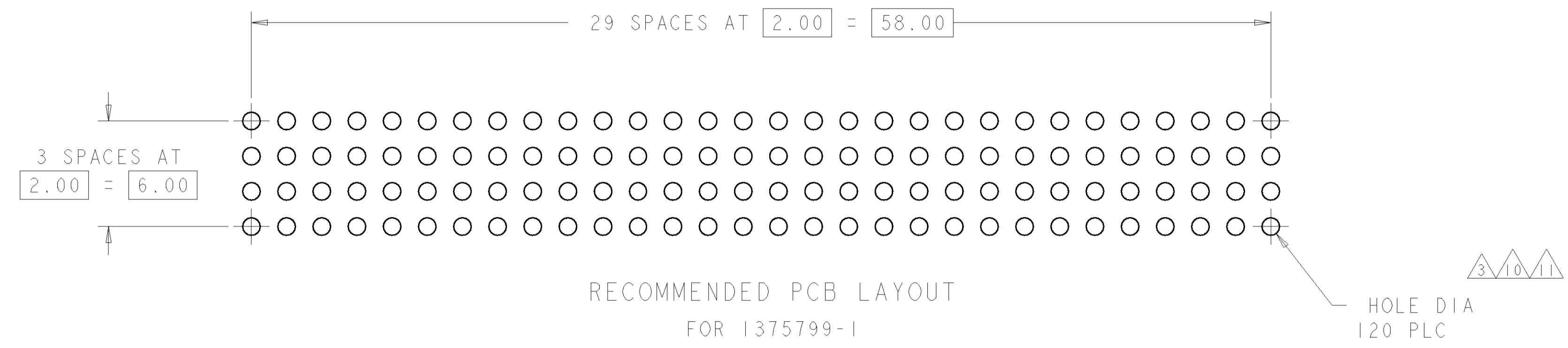
- △1 HOUSING: HIGH TEMPERATURE, GLASS FILLED NYLON, COLOR: BLACK, CONTACTS: PHOSPHOR BRONZE.
- △2 CONTACTS: 0.000381 MIN GOLD ON MATING RECEPTACLE END, 0.000130 MIN GOLD ON REMAINDER, ALL OVER 0.001270 NICKEL.
- △3 PCB HOLE RECOMMENDATIONS:
 A. DRILL HOLE DIAMETER TO BE 1.00±0.02.
 B. PLATING TO BE 0.005 MIN TIN-LEAD OVER 0.025-0.075 COPPER.
 C. RECOMMENDED FINISH HOLE SIZE IS 0.88±0.08.
- △4 DIMENSION AFTER SEATING TO PCB.
- △5 POSITION TOLERANCE APPLIES AFTER CONNECTOR IS PRESSED ONTO PC BOARD.
- △6 NO CONTACT IN THIS POSITION FOR PART NUMBER 1375799-2 ONLY.
- △7 NO CONTACT IN THIS POSITION FOR PART NUMBER 1375799-3 ONLY.
- △8 CONTACT FINISH: 0.000381 MIN GOLD ON MATING RECEPTACLE END, 0.00254-0.00508 TIN ON COMPLIANT AREA, 0.000130 MIN GOLD ON REMAINDER, ALL OVER 0.001270 NICKEL.
- △9 TO BE USED ON SILVER IMMERSION PLATED PCB'S (NOTE 10).
- △10 PCB HOLE RECOMMENDATIONS FOR SILVER IMMERSION PLATING:
 A. DRILL HOLE DIAMETER TO BE 1.04±0.02.
 B. PLATING TO BE 0.0001524-0.0004064 SILVER OVER 0.0508±0.0254 COPPER.
 C. RECOMMENDED FINISH HOLE SIZE IS 0.94-1.03.
- △11 PCB HOLE RECOMMENDATIONS FOR ENIG PLATING:
 A. DRILL HOLE DIAMETER TO BE 1.04±0.02.
 B. PLATING TO BE 0.000051-0.000127 GOLD OVER 0.00305-0.00610 NICKEL ALL OVER 0.0508±0.0254 COPPER.
 C. RECOMMENDED FINISH HOLE SIZE IS 0.94-1.03.
- △12 TO BE USED ON STANDARD PCB (NOTE 3) OR ENIG PLATED PCB (NOTE 11).



REV	KEYED	CIRCUITS	PART NO
△9	△8	YES △7	1375799-6
△9	△8	YES △6	1375799-5
△9	△8	NO	1375799-4
△12	△2	YES △7	1375799-3
△12	△2	YES △6	1375799-2
△12	△2	NO	1375799-1

DIMENSIONS: mm 		TOLERANCES UNLESS OTHERWISE SPECIFIED: 0 PLC ± 1 PLC ±0.13 2 PLC ±0.13 3 PLC ± 4 PLC ± ANGLES ± FINISH ±		DWN: W.G. LENKER 20JUN2000 ENR: L. BREKOSKY 15JAN2001 APVD: J. OLSON 13JUN2001 NAME: ASSEMBLY, PC/104-PLUS, STACKTHROUGH CONTACTS, PRESS FIT SIZE: 114-13021 WEIGHT: - CUSTOMER DRAWING		Tyco Electronics Harrisburg, PA 17105-3608 SCALE: 5:1 SHEET: 1 OF 2 REV: H	
-----------------------	--	---	--	---	--	--	--

LOC		DIST		REVISIONS			
AD	00	P	LTR	DESCRIPTION	DATE	DWN	APVD
-	-	-	-	SEE SHEET 1	-	-	-



<small>THIS DRAWING IS UNPUBLISHED. RELEASED FOR PUBLICATION BY TYCO ELECTRONICS CORPORATION. ALL RIGHTS RESERVED.</small>		DWN W.G. LENKER 20JUN2000 ENR L.BREKOSKY 15JAN2001 APVD J. OLSON 13JUN2001		AMP Tyco Electronics Harrisburg, PA 17105-3608	
DIMENSIONS: mm		TOLERANCES UNLESS OTHERWISE SPECIFIED: 0 PLC ± 1 PLC ±0.13 2 PLC ± 3 PLC ± 4 PLC ± ANGLES ±		NAME ASSEMBLY, PC/104-PLUS, STACKTHROUGH CONTACTS, PRESS FIT PRODUCT SPEC APPLICATION SPEC	
MATERIAL - FINISH -		WEIGHT - CUSTOMER DRAWING		SIZE CAGE CODE DRAWING NO RESTRICTED TO A 00779 C-1375799 -	
SCALE 5:1				SHEET 2 OF 2 REV H	