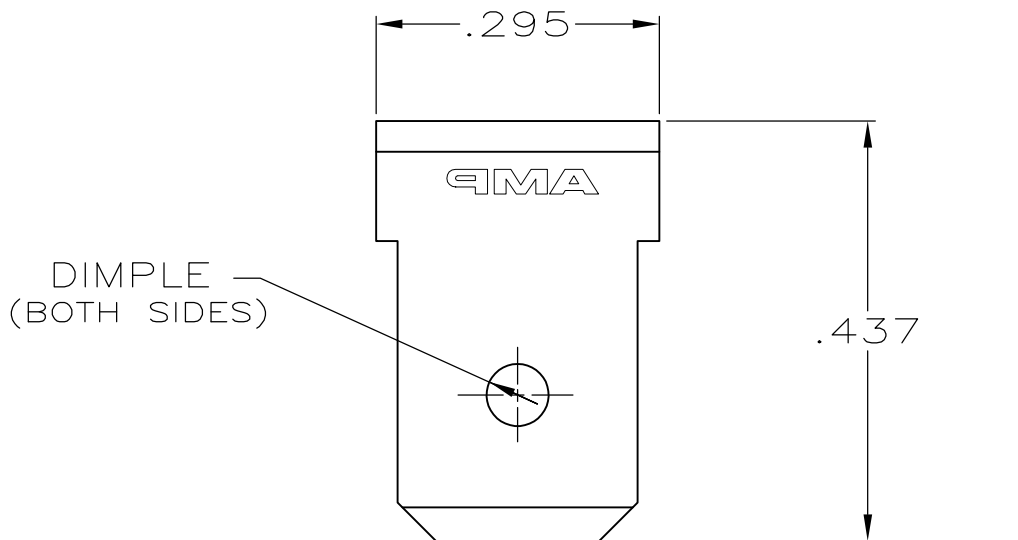
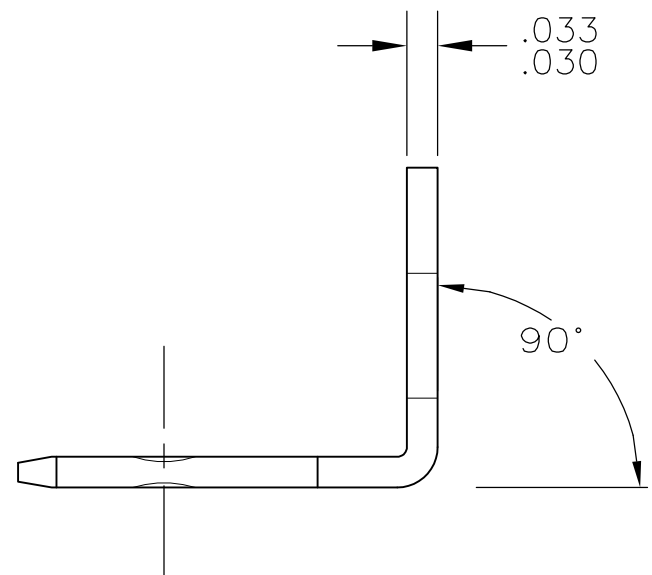
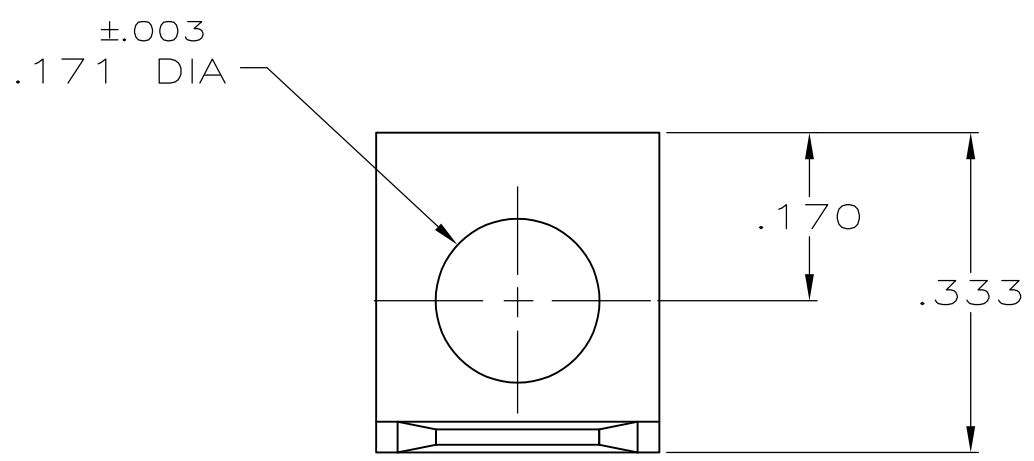


THIS DRAWING IS UNPUBLISHED. RELEASED FOR PUBLICATION
 © COPYRIGHT - By - ALL RIGHTS RESERVED.


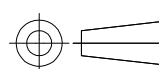
| LOC | DIST | REVISIONS | | | |
|-----|------|-------------|---------------------------|---------|--------|
| P | LTR | DESCRIPTION | DATE | DWN | APVD |
| AF | 50 | F1 | REVISED PER ECO-11-005027 | 12MAR11 | RK HMR |



1 SUPPLIED IN LOOSE PIECE.



| | |
|--------|---------|
| TIN | 42214-2 |
| - | 42214-1 |
| FINISH | PART NO |

| | | | | | | | | | | | | | |
|--|-----------|--------------|------------|--------|---|-------|--------|-----------|--------------------------|------------|---------|---------------|---|
| THIS DRAWING IS A CONTROLLED DOCUMENT. | | DWN | JR RUTH | 3/8/95 |  TE Connectivity | | | | | | | | |
| DIMENSIONS: INCHES | | CHK | MS FEHER | 3/8/95 | | | | | | | | | |
|  | | APVD | P DESANTIS | 3/8/95 | | | | | | | | | |
| TOLERANCES UNLESS OTHERWISE SPECIFIED: 0 PLC ± - 1 PLC ± - 2 PLC ± - 3 PLC ± .015 4 PLC ± - ANGLES ± - | | PRODUCT SPEC | - | | | | | NAME | TAB, FASTON, .250 SERIES | | | | |
| MATERIAL | 082 BRASS | FINISH | SEE TABLE | WEIGHT | - | SIZE | A3 | CAGE CODE | 00779 | DRAWING NO | C-42214 | RESTRICTED TO | - |
| CUSTOMER DRAWING | | | | SCALE | 5:1 | SHEET | 1 OF 1 | REV | F1 | | | | |