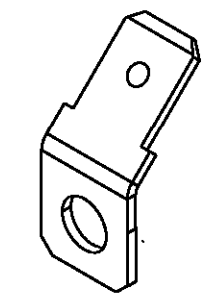
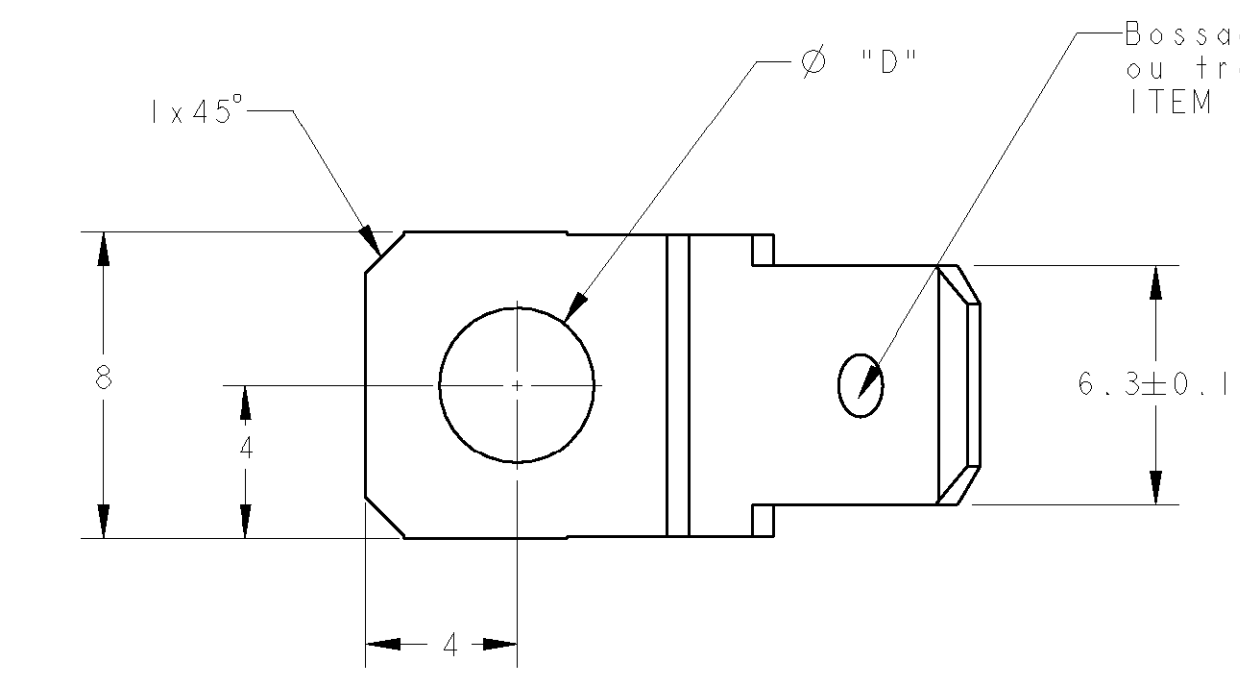
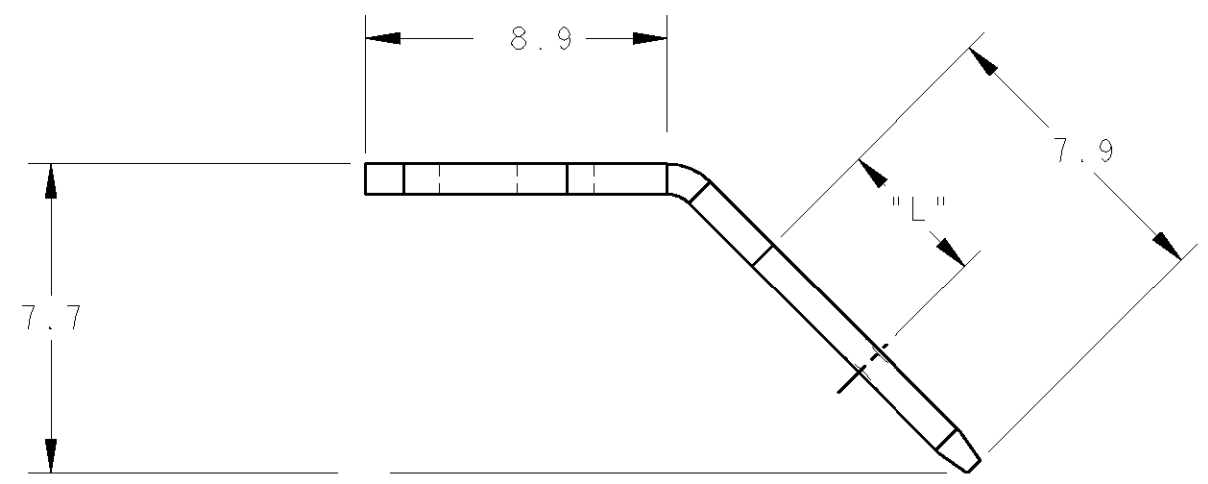


THIS DRAWING IS UNPUBLISHED.  
 DIFFUSION RESTREINTE AMP  
 © COPYRIGHT 20 BY TYCO ELECTRONICS CORPORATION. ALL RIGHTS RESERVED.  
 TOUS DROITS RESERVES

| LOC | DIST    | REVISIONS                 |                                    |           |           |   |
|-----|---------|---------------------------|------------------------------------|-----------|-----------|---|
| P   | LTR REV | DESCRIPTION MODIFICATIONS | DATE                               | DWN DESS. | APVD APP. |   |
| F   | 7       | L                         | Redessine en CAO et revise EC 7462 | 31MARS98  | O.L       | - |
|     |         | M                         | CLARIFICATION                      | 09OCT2000 | JJD       | - |



ECHELLE 2:1



|           |          |     |     |         |
|-----------|----------|-----|-----|---------|
| 141158-1  | dore     | 4.1 | 3   | bossage |
| 141036-1  | brut     | 3.4 | 5.2 | trou    |
| 140829-2  | etame    | 3.4 | 3   | trou    |
| 140829-1  | brut     | 3.4 | 3   | trou    |
| 140814-2  | etame    | 3.4 | 4.1 | trou    |
| 140814-1  | brut     | 3.4 | 4.1 | trou    |
| 140856-2  | etame    | 4.1 | 3.7 | bossage |
| 140856-1  | brut     | 4.1 | 3.7 | bossage |
| 140759-1  | nickele  | 4.1 | 5.2 | bossage |
| 140759-0  | etame    | 4.1 | 5.2 | bossage |
| 140665-0  | brut     | 4.1 | 5.2 | bossage |
| 140660-0  | etame    | 4.1 | 3   | bossage |
| 140659-0  | brut     | 4.1 | 3   | bossage |
| 140598-0  | etame    | 4.1 | 4.1 | bossage |
| 140597-0  | brut     | 4.1 | 4.1 | bossage |
| Reference | Finition | "L" | "D" | "d"     |

|  |  |   |  |  |  |
|--|--|---|--|--|--|
| THIS DRAWING IS A CONTROLLED DOCUMENT FOR TYCO ELECTRONICS CORPORATION<br>IT IS SUBJECT TO CHANGE AND THE CONTROLLING ENGINEERING ORGANIZATION<br>SHOULD BE CONTACTED FOR THE LATEST REVISION.<br>CE PLAN EST UN DOCUMENT CONTROLE PAR AMP INCORPORATED.<br>IL EST SUSCEPTIBLE D'ETRE REVISE. CONTACTER LE SERVICE<br>TECHNIQUE D'AMP DE FRANCE POUR OBTENIR LA DERNIERE REVISION. |  | DWN/DESSINE 30MARS98<br>O. LEMPEREUR<br>CHK/VERIFIE -<br>G. ROBERT<br>APVD/APPROUVE -<br>Y. PETRONIN  |  | <b>AMP</b> AMP DE FRANCE<br>95301 PONTOISE   |  |
| DIMENSIONS:<br>mm  |  | TOLERANCES UNLESS OTHERWISE SPECIFIED:<br>TOLERANCES NON SPECIFIEES (SUIV NB DE DECIMALES):<br>0 PLC/DEC: ±-<br>1 PLC/DEC: ±0.2<br>2 PLC/DEC: ±-<br>3 PLC/DEC: ±-<br>4 PLC/DEC: ±-<br>ANGLES ±30' |  | NAME/TITRE<br><b>FASTON TABS BENT 45 .250 series</b><br><b>LANGUETTE POUR CLIPS</b>            |  |
| MATERIAL/MATIERE<br>LAITON   |  | FINISH/FINITION<br>Voir tableau   |  | PRODUCT SPEC SPEC. PRODUIT -<br>APPLICATION SPEC SPEC. APPLICATION -<br>WEIGHT MASSE APPROX. - |  |
|  |  | SIZE FORMAT<br>A3   |  | CAGE CODE<br>00779   |  |
|  |  | DRAWING NO No PLAN<br>140597  |  | RESTRICTED TO RESERVE A<br>-   |  |
| CUSTOMER DRAWING /PLAN CLIENT  |  | UNIQUEMENT POUR REFERENCE   |  | SCALE ECHELLE 5:1<br>SHEET FEUILLE OF DE REV M   |  |