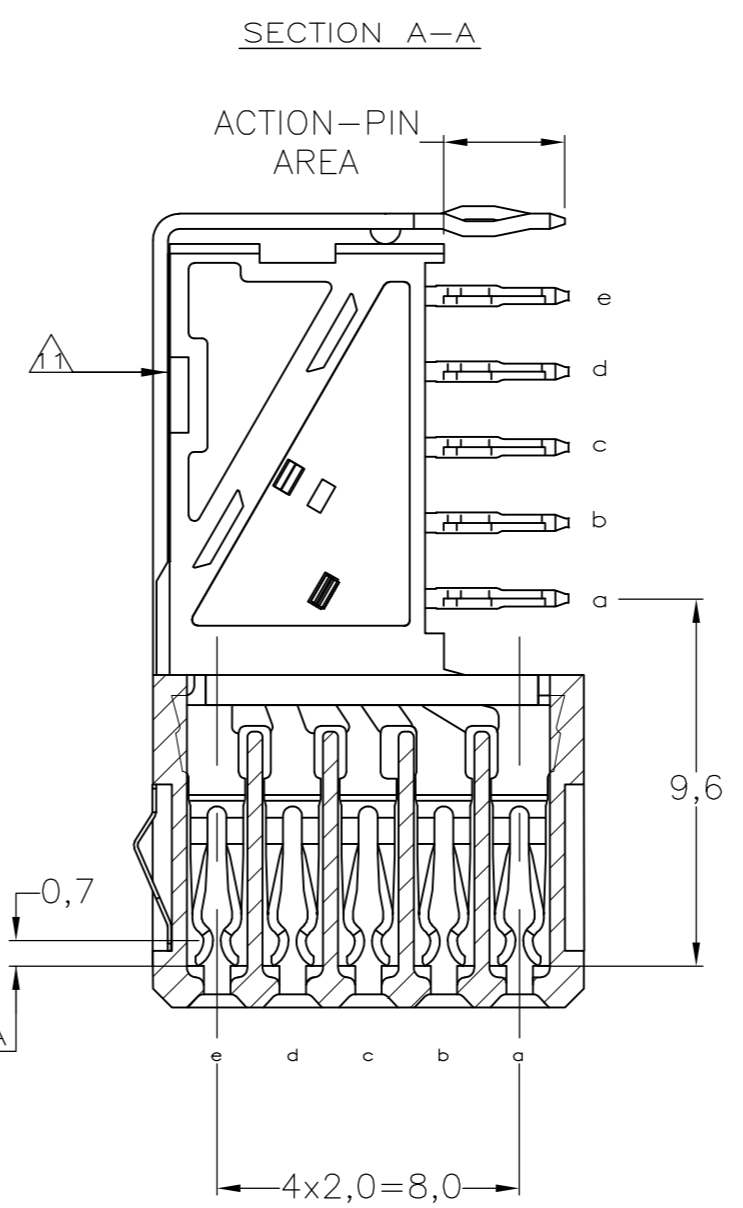
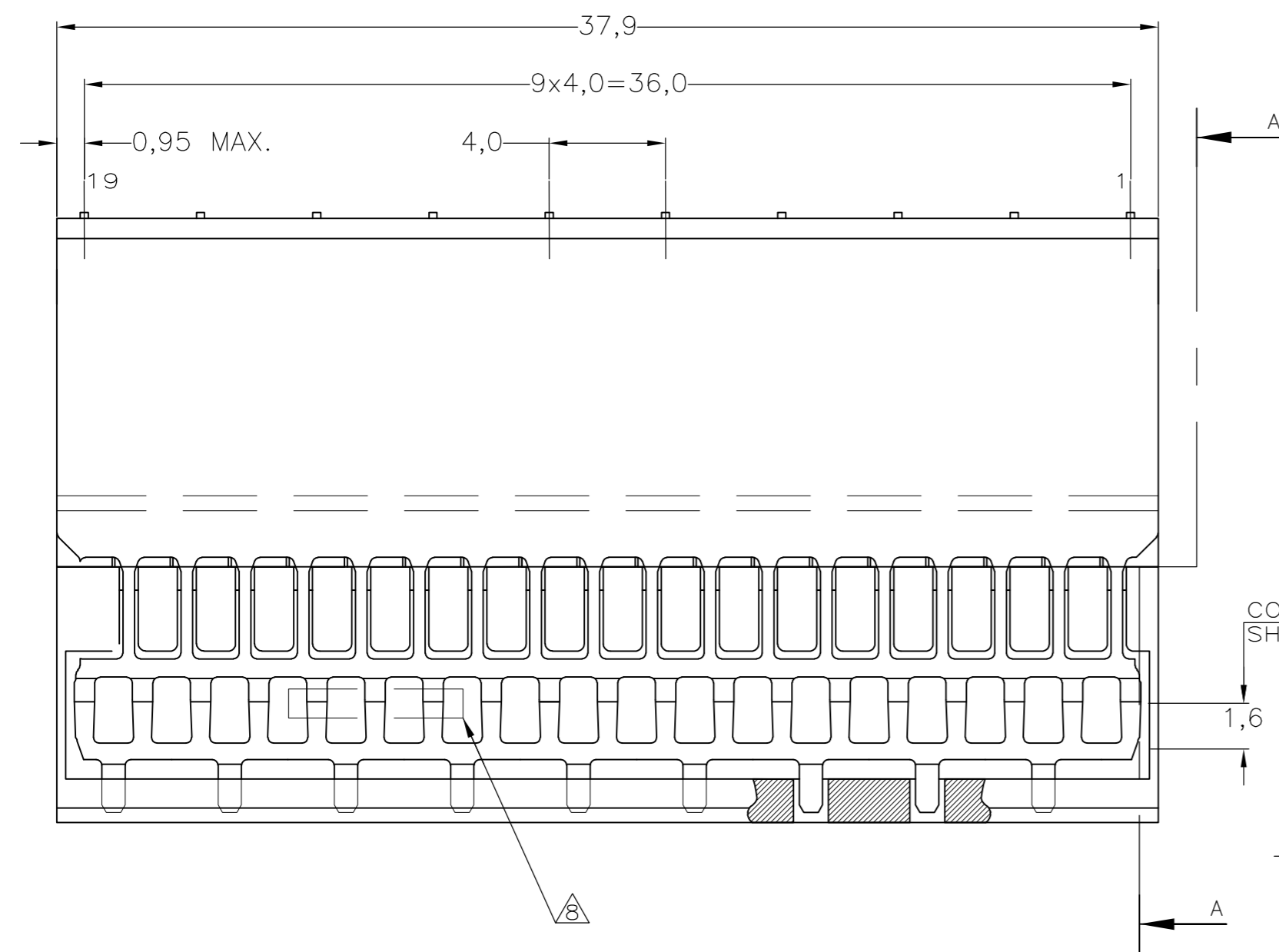
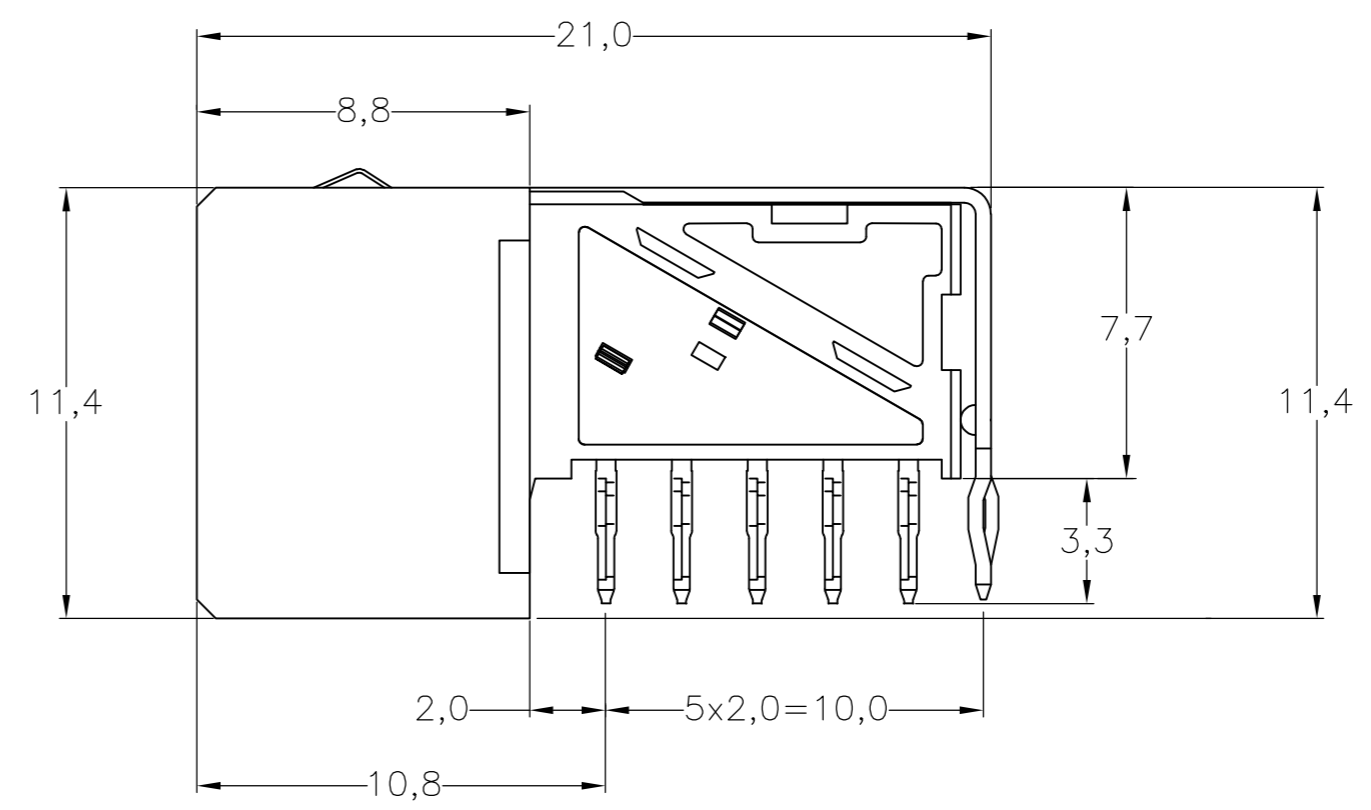
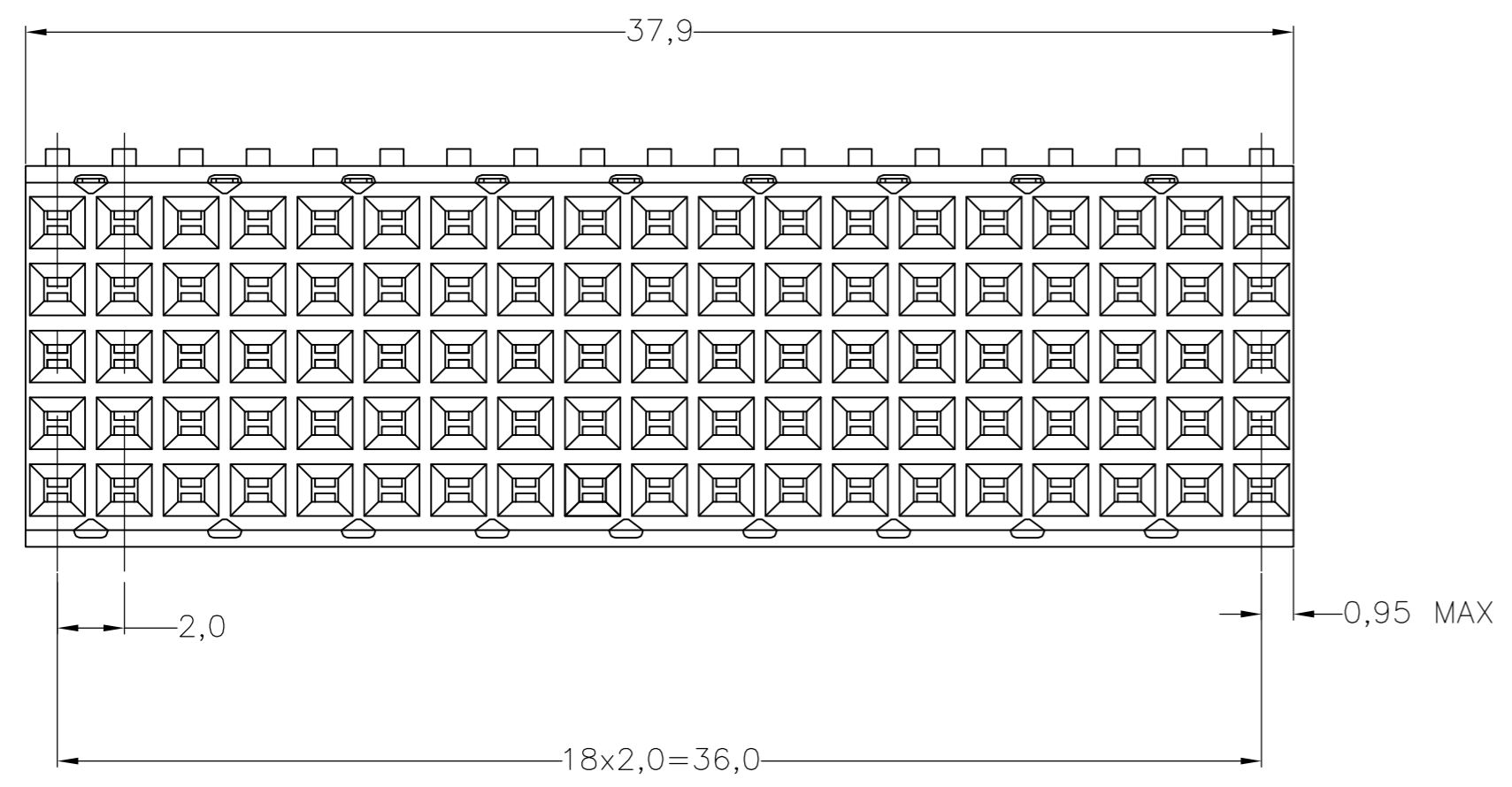


THIS DRAWING IS UNPUBLISHED. RELEASED FOR PUBLICATION
 © COPYRIGHT - By - ALL RIGHTS RESERVED.

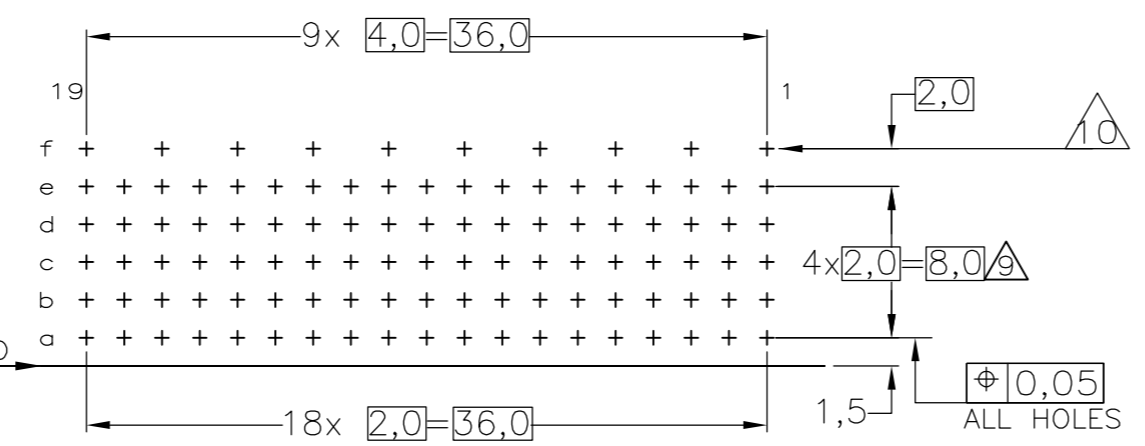
LOC	DIST	REVISIONS					
		P	LTR	DESCRIPTION	DATE	DWN	APVD
H	-	H1		REVISED PER ECO-11-005033	29MAR11	RK	HMR



- NOTES:
- 1 MATERIAL CONTACTS; PHOSPHORBRONZE
MATERIAL HOUSING; GLASSFILLED POLYESTER (GRAY)
 - 2 GENERAL PLATING SPECIFICATION: UNDERPLATING (ENTIRE CONTACT): 1,27µm NICKEL MIN. AND ACTION PIN: 0,5µm TIN-LEAD MIN.
FOR PLATING OF MATING SURFACES SEE APPLICABLE SPECIFICATION REFERENCE FOR EACH DASH NUMBER.
 - 3 CONFORMS TO ALL TESTING ACCORDING IEC 61076-4-101 PERFORMANCE LEVEL 2.
 - 4 CONFORMS TO ALL TESTING ACCORDING IEC 61076-4-101 PERFORMANCE LEVEL 1.
 - 5 CONNECTOR TESTED AND QUALIFIED AGAINST TELCORDIA GR-1217-CORE QUALITY LEVEL III, CENTRAL OFFICE APPLICATIONS.
 - 6 CONNECTOR LUBRICATED WITH TELCORDIA GR-1217-CORE APPROVED LUBRICANT.
 - 7 PLATING SHIELD:
CONTACT AREA : 0,76µm Au MIN.
ACTION PIN : 0,5µm SnPb MIN.
REMAINDER : Ni
 - 8 ASSEMBLY PRINTED WITH P/N AND DATECODE
THE MARKING CAN APPEAR ON THE FRONT SIDE OR BACK SIDE.
 - 9 HOLE PATTERN FOR FEMALE CONNECTOR TYPE B-19 COLUMNS
95 PLATED-THROUGH HOLES AT 2x2mm SQUARE GRID
 - 10 ROW "f" 10 PLATED THROUGH HOLES FOR UPPERSHIELD
 - 11 SHIELD MOUNTED ON CONNECTOR WITH DOUBLE SIDED ADHESIVE TAPE OR ADHESIVE
 - 12 BASIC P.N. LOWERSHIELD: 352029



COMPONENT SIDE AS SHOWN
 RECOMMENDED PCB-HOLE LAY-OUT
 SCALE 2,5:1



P.C.B. HOLE DIM. ACTION PIN
 FOR DETAILS SEE
 APPLICATION SPECIFICATION

THIS DRAWING IS A CONTROLLED DOCUMENT.		DWN W. V.D. HEIJDEN 28-JAN-97	TE Connectivity	
DIMENSIONS: mm		CHK B. MOOIJ 06-FEB-06	Z-PACK 2MM HM TYPE B - 19 COLUMNS PRE-SHIELDED RECEPTACLE	
TOLERANCES UNLESS OTHERWISE SPECIFIED: ±0.2		APVD J. BROEKSTEEG 06-FEB-06	NAME	
MATERIAL		PRODUCT SPEC 108-19082	SIZE A2	
FINISH		APPLICATION SPEC 114-19029	CAGE CODE 00779	
		WEIGHT	DRAWING NO C=352171	
		CUSTOMER DRAWING		RESTRICTED TO
		SCALE NTS		SHEET 1 OF 1
				REV H1

FINISH	MATERIAL	PARTNUMBER
1 2 3 4 5 6	7	352171-9
2 4 4	7	352171-4
2 3 3	7	352171-1

352171