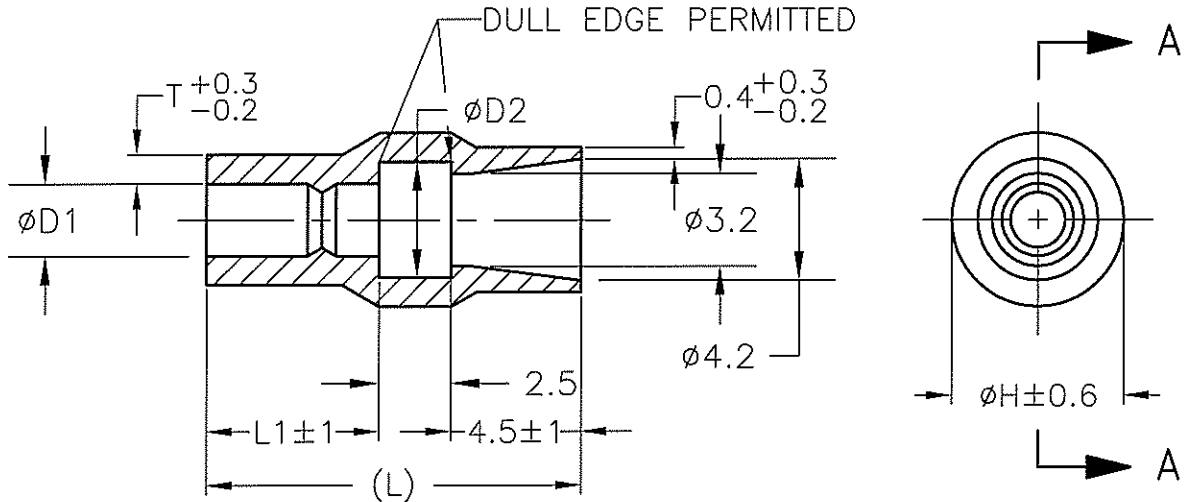


LOC	DIST	REVISIONS 変更						
J	—	P	LTR	DESCRIPTION	ECN	DATE	DWN	APVD
		B1		REDRAWN W/CHANGE	FJ00-1162-00	31 AUG 00	AY	KB
		C		REVISED	ECR-05-010725	09SEP05	T.H	N.Y
		D		REVISED	ECR-06-006269	17MAR'06	Y.Y	N.Y
		D1		REVISED PER	ECO-10-000443	18JAN10	KK	AEG



1. 材質: SS-108 (一般)
2. 一般公差: ±0.5
3. 適用製品規格は無し

A-A

△ 品川商工発行のカタログと本図で寸本図を優先する。

法が異なる場合は

1. MATERIAL: SS-108 (GENERAL)
 2. GENERAL TOLERANCE: ±0.5
 3. APPLICABLE PRODUCT SPEC NOT AVAILABLE
- △ IN THE EVENT OF CONFLICT BETWEEN THE REQUIREMENTS OF THIS CUSTOMER DRAWING AND THE SHINAGAWA SHOKO CO LTD CATALOG THIS CUSTOMER DRAWING SHALL TAKE PRECEDENCE

△ OBSOLETE PARTS: OBSOLETE CIS STREAMLINING PER D.RENAUD/D.SINISI

△ OBSOLETE

CLEAR	14	7	4.5	1.5	0.6	5.9	224215	170887-5
	13	6		3.5	0.7		224235	170887-4
	14	7		3.2			224232	170887-3
BLACK	13	6	4	2.5	5.4	224225B	170887-2	
CLEAR						224225	170887-1	
COLOR	L	L1	φ D2	φ D1	T	H	SHINAGAWA SHOKO PN	AMP PN

X-170892-X	SEE 170892
X-170893-X	SEE 170893
X-170889-X	SEE 170889
X-170888-X	SEE 170888
X-170890-X	SEE 170890
X-170891-X	SEE 170891
X-170823-X	SEE 170823
AMP PN	REMARK

RELEASED FOR PUBLICATION

THIS DRAWING IS UNPUBLISHED.

ALL RIGHTS RESERVED.

BY TYCO ELECTRONICS CORPORATION.

© COPYRIGHT

DIMENSIONS:	
単位: 耗	MM
TOLERANCES UNLESS OTHERWISE SPECIFIED:	
一般公差	
0 PLC	±
1 PLC	±
2 PLC	±
3 PLC	±
4 PLC	±
ANGLES	±

DWN	31 AUG 00	A.YAMAGUCHI
CHK	31 AUG 00	D.MATSUURA
APVD	31 AUG 00	K.BETSUI
PRODUCT SPEC	製品規格	
APPLICATION SPEC	取付適用規格	
WEIGHT		

WIRE RANGE 絶縁電線断面積		INSULATION DIA 被覆外径	
MATERIAL 材料		FINISH 仕上	
Tyco Electronics AMP K.K. Kawasaki, Japan			
NAME 名称			
CONNECT SLEEVE FOR 5DIA SERIES SHUR PLUG RECEPTACLE			
SIZE	CAGE CODE	DRAWING NO 番号	RESTRICTED TO
A4	00779	C-170887	—

CUSTOMER DRAWING

SCALE 4:1 SHEET 1 OF 1 REV D1