

THIS DRAWING IS UNPUBLISHED.

RELEASED FOR PUBLICATION

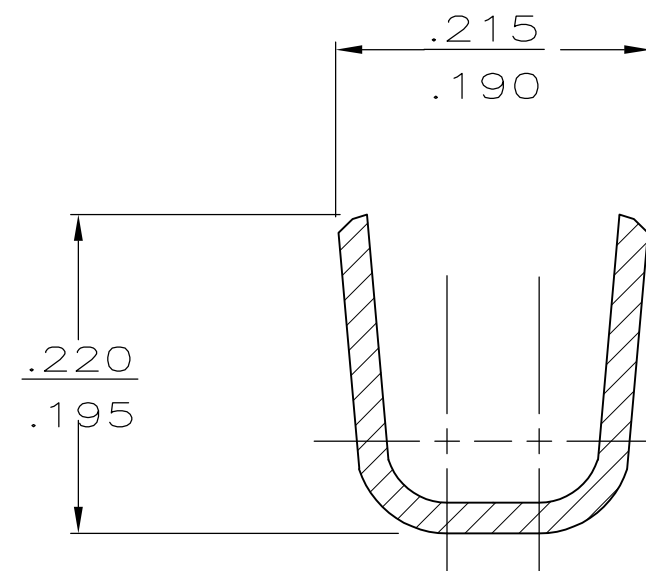
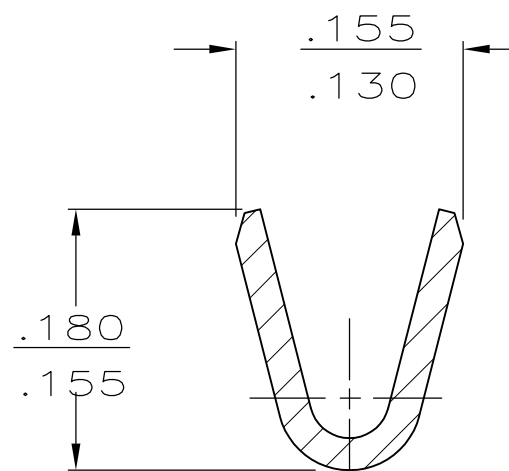
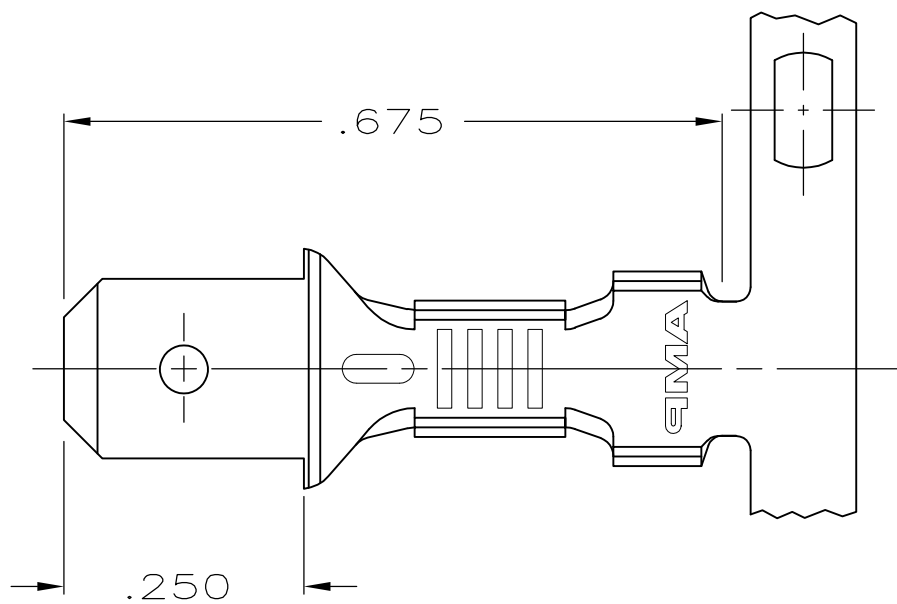
ALL RIGHTS RESERVED.

© COPYRIGHT - By -

LOC AF DIST 50

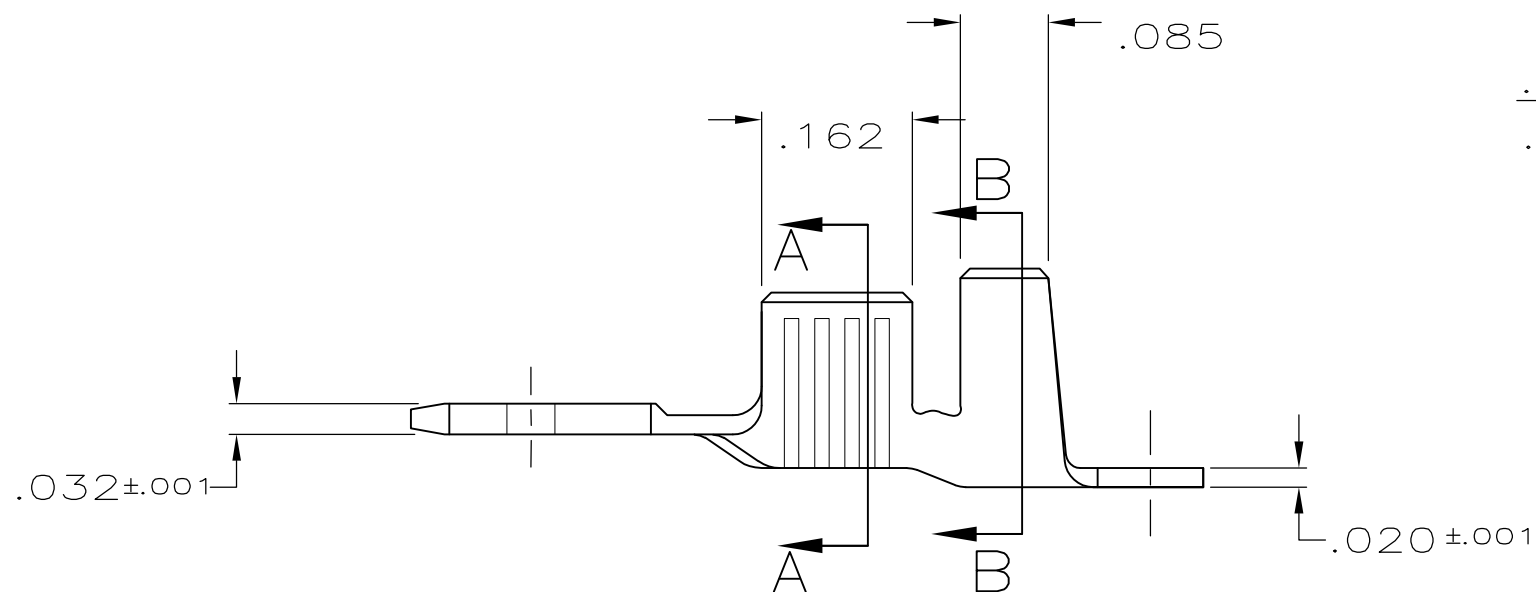
REVISIONS

P	LTR	DESCRIPTION	DATE	DWN	APVD
	K1	REVISED PER ECO-11-004917	11MAR11	RK	HMR


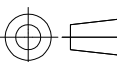


SECTION A-A

SECTION B-B



OBSOLETE	TIN	18-14	.120-.150	61687-2
	FINISH	WIRE SIZE	INSUL. RANGE	61687-1
				PART NO

THIS DRAWING IS A CONTROLLED DOCUMENT.		DWN DK SCHRUM 2-27-89	 TE Connectivity NAME TAB, FASTON,™ .187 SERIES					
DIMENSIONS: INCHES		CHK JR RUTH 2-27-89				SIZE	CAGE CODE	DRAWING NO
		APVD C MEYERS 2-27-89				A3	00779	C-61687
TOLERANCES UNLESS OTHERWISE SPECIFIED: 0 PLC ± - 1 PLC ± - 2 PLC ± - 3 PLC ± .015 4 PLC ± - ANGLES ± -		PRODUCT SPEC 2-27-89 R KUZO				RESTRICTED TO	-	
MATERIAL #2H PREMILLED BRASS		FINISH SEE TABLE	WEIGHT -	CUSTOMER DRAWING	SCALE 5:1			
					SHEET 1 OF 1			
					REV K1			