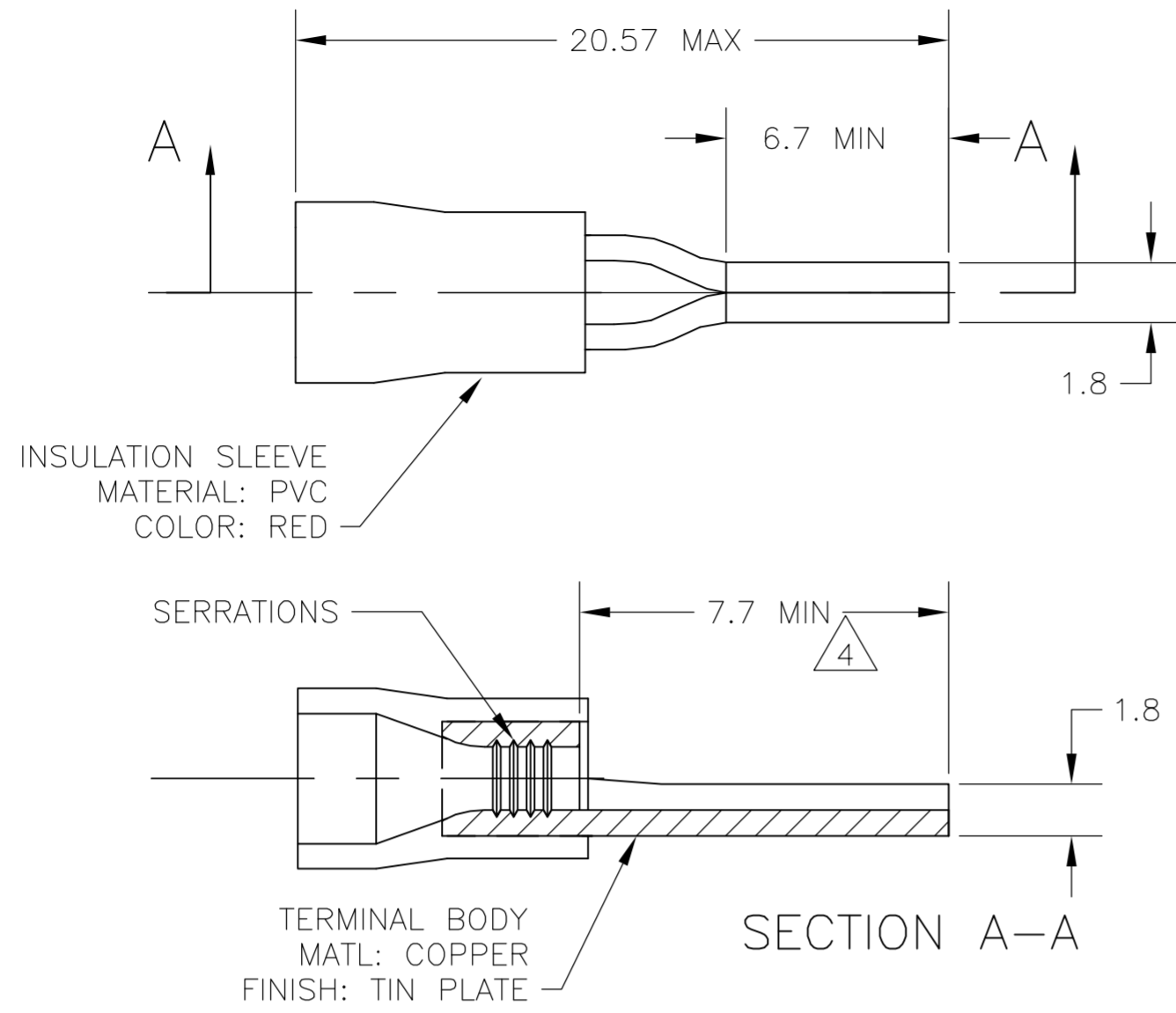


THIS DRAWING IS UNPUBLISHED. RELEASED FOR PUBLICATION  
 © COPYRIGHT BY TYCO ELECTRONICS CORPORATION. ALL RIGHTS RESERVED.

LOC	DIST	REVISIONS			
P	LTR	DESCRIPTION	DATE	DWN	APVD
G	02	G1	REV PER ECR-06-001930	13FEB06	HMR TM



- 1 WIRE SIZE IS #22-#16 AWG
- 2 WIRE INSULATION DIA: 2.7 - 3.6
- 3 MATERIAL THICKNESS IS 0.8
- 4 DIMENSION APPLIES FROM EDGE OF METAL WIRE BARREL TO END OF PIN
- 5 SUPERSEDED BY 342126-1

POLY BAG WITH HEADER	STANDARD	100	5 7-342126-1
PLASTIC BOX	STANDARD	100	5 6-342126-1
PLASTIC BAG	STANDARD	1000	342126-1
PACKAGING	LABELLING	QTY RED	PART NO

DIMENSIONS:		TOLERANCES UNLESS OTHERWISE SPECIFIED:		APVD		NAME		RESTRICTED TO	
INCHES		FINISH		07AUG03		T MICHIELUTTI		-	
0 PLC ± -		-		07AUG03		T MICHIELUTTI		-	
1 PLC ± 0.5		-		07AUG03		T MICHIELUTTI		-	
2 PLC ± -		-		07AUG03		T MICHIELUTTI		-	
3 PLC ± -		-		07AUG03		T MICHIELUTTI		-	
4 PLC ± -		-		07AUG03		T MICHIELUTTI		-	
ANGLES ± 1°		-		07AUG03		T MICHIELUTTI		-	
MATERIAL		FINISH		07AUG03		T MICHIELUTTI		-	
-		-		07AUG03		T MICHIELUTTI		-	

THIS DRAWING IS A CONTROLLED DOCUMENT.				DWN jr ruth 07AUG03		Tyco Electronics Corporation	
				CHK T MICHIELUTTI 07AUG03		Harrisburg, PA 17105	
				APVD T MICHIELUTTI 07AUG03		NAME	
				PRODUCT SPEC		TERMINAL, WIRE PIN, PLASTI-GRIP,	
				APPLICATION SPEC		-	
				WEIGHT		-	
				SIZE		A2	
				CAGE CODE		00779	
				DRAWING NO		342126	
				SCALE		5:1	
				SHEET		1 OF 1	
				REV		G1	