

THIS DRAWING IS UNPUBLISHED.

RELEASED FOR PUBLICATION

© COPYRIGHT - By -

ALL RIGHTS RESERVED.

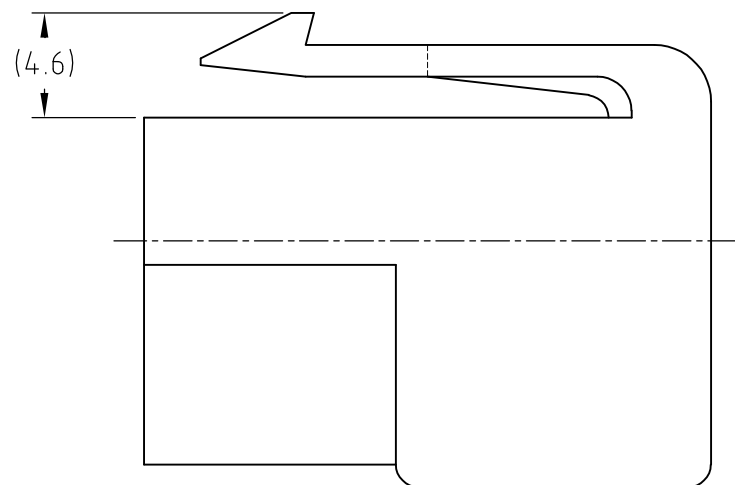
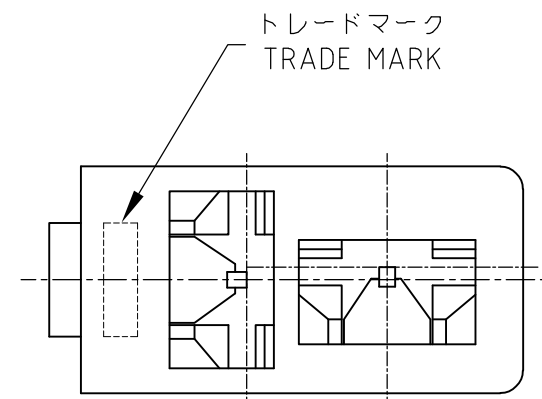
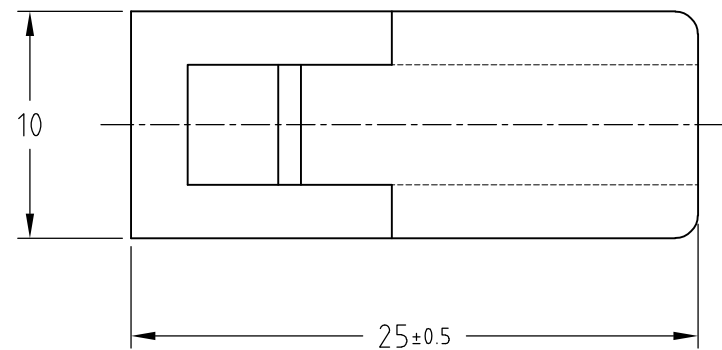
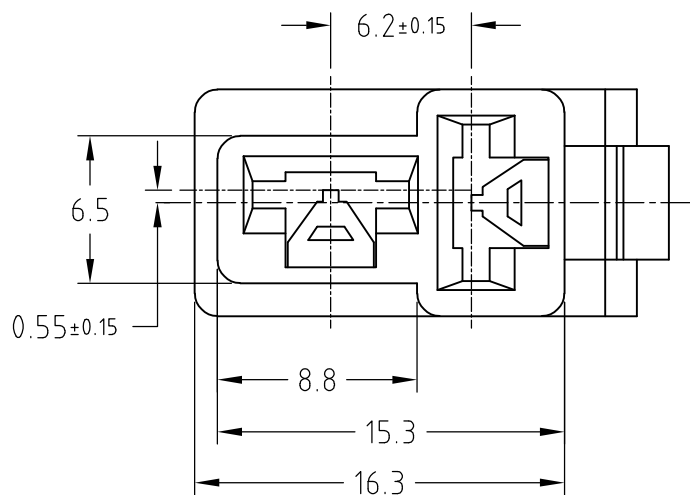
LOC
J

DIST
-

REVISIONS

変更

P	LTR	DESCRIPTION	DATE	DWN	APVD
	A1	REVISED PER ECO-11-005030	11MAR11	RK	HMR




注記 ;

- 1.かん合相手ハウジング型番:174197-X
- 2.使用端子型番:170342-X,1376071-X
- 3.製品規格:108-78328

NOTE;

- 1.THE MATING CAP HOUSING P/N;174197-X
- 2.APPLIED CONTACT P/N;170342-X,1376071-X
- 3.PRODUCT SPECIFICATION;108-78328

赤 (RED)	174198-9
だいだい (ORANGE)	174198-8
黄 (YELLOW)	174198-7
灰 (GRAY)	174198-6
青 (BLUE)	174198-5
緑 (GREEN)	174198-4
茶 (BROWN)	174198-3
黒 (BLACK)	174198-2
自然色 (NATURAL)	174198-1
色 (COLOR)	型番 (PART NUMBER)

THIS DRAWING IS A CONTROLLED DOCUMENT.		DWN J.SATO 20NOV2006	 TE Connectivity			
DIMENSIONS: 単位: 耗 mm		CHK N.YAMASAKI 26AUG2005				
TOLERANCES UNLESS OTHERWISE SPECIFIED: 一般公差		APVD N.YAMASAKI 26AUG2005	NAME 名称 250 SERIES HOUSING LANCE CONNECTOR 2POS PLUG HOUSING			
10以下 ± 0.2		PRODUCT SPEC 製品規格	SIZE	CAGE CODE	DRAWING NO 番号	RESTRICTED TO
100以下 ± 0.25		APPLICATION SPEC 取付適用規格	A3	00779	G-174198	-
1000以下 ± 0.3		FINISH 仕上	SCALE 尺度	3:1	SHEET 1 OF 1	REV A1
MATERIAL 材料 66NYLON (UL94V-2)		WEIGHT	CUSTOMER DRAWING			