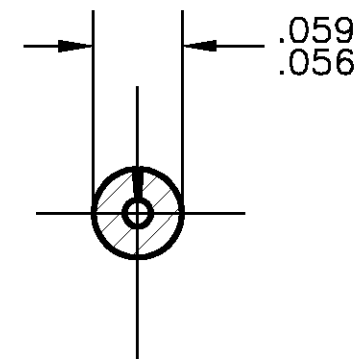
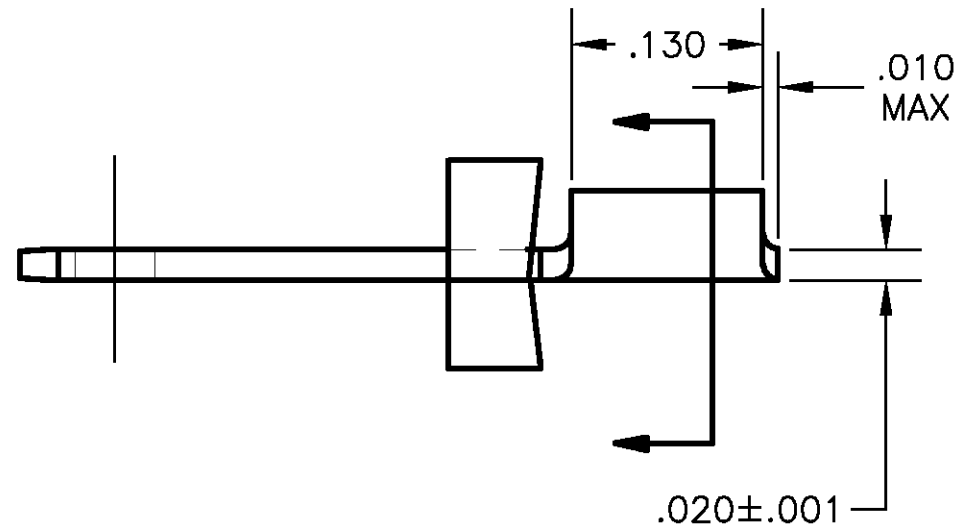
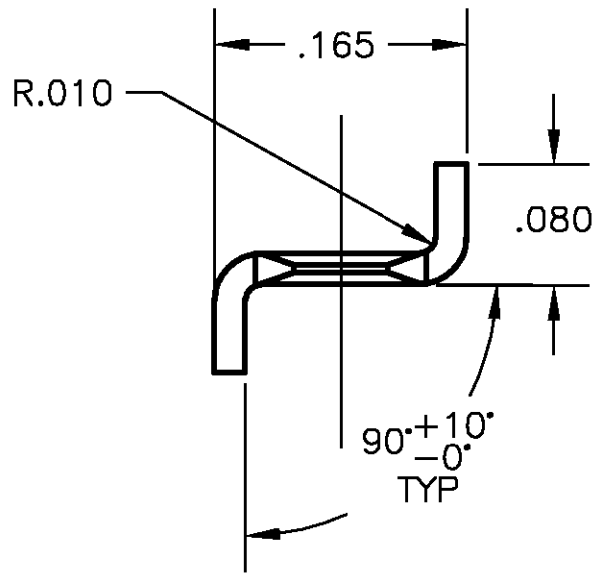
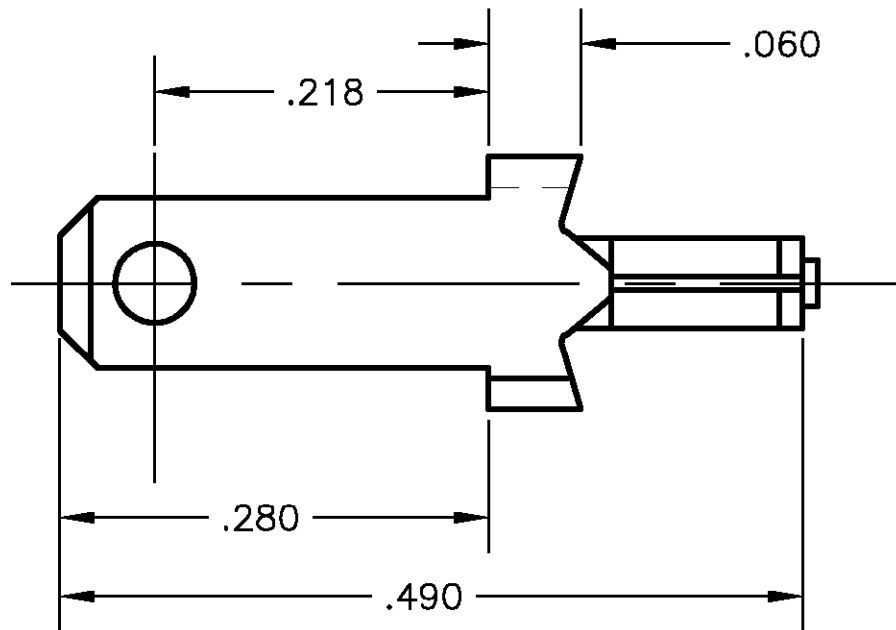


THIS DRAWING IS UNPUBLISHED. RELEASED FOR PUBLICATION  
 © COPYRIGHT BY TYCO ELECTRONICS CORPORATION. ALL RIGHTS RESERVED.

LOC	DIST	REVISIONS				
P	LTR	DESCRIPTION	DATE	DWN	APVD	
AF	50	M	REDRAWN PER 0G3A-0186-01	16MAR01	JR ND	

- SUPPLIED IN LOOSE PIECE
- PARTS TO MEET SOLDERABILITY SPEC 109-11-2 ( MILDLY ACTIVATED ROSIN ).
- .000150 MIN TIN PLATE OVER .000100 MIN COPPER.
- PRINTED CIRCUIT BOARD IS TO BE .032 TO .093 THK WITH A .055-.060 DIA HOLE.



	$\Delta$	61134-3
<del>OBSOLETE</del>	<del>GOLD</del>	<del>61134-2</del>
<del>OBSOLETE</del>	<del>PRE-TIN</del>	<del>61134-1</del>
	FINISH	PART NO.

THIS DRAWING IS A CONTROLLED DOCUMENT.		DWN JR RUTH 15MAR01	Tyco Electronics Corporation Harrisburg, PA. 17057	
DIMENSIONS: INCHES		CHK MS FEHER 16MAR01	NAME TAB, FASTON, P.C.BOARD, .110 SERIES	
TOLERANCES UNLESS OTHERWISE SPECIFIED: 0 PLC ± - 1 PLC ± - 2 PLC ± - 3 PLC ± .015 4 PLC ± - ANGLES ± -		APVD N DEIBERT 16MAR01	PRODUCT SPEC - APPLICATION SPEC -	
MATERIAL 082 BRASS	FINISH SEE TABLE	WEIGHT -	SIZE A3	CAGE CODE 00779
CUSTOMER DRAWING			DRAWING NO C-61134	RESTRICTED TO -
			SCALE 8:1	SHEET 1 OF 1
			REV M	