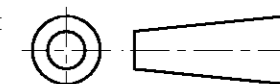


DO NOT SCALE

DIMENSIONS IN mm

METRIC

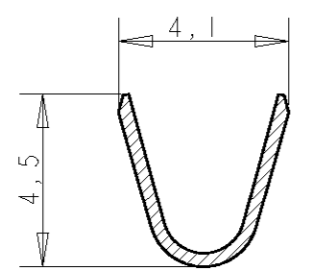
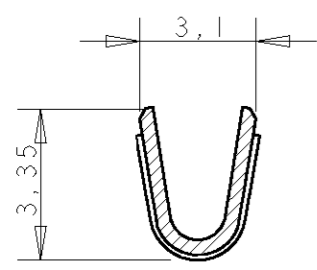
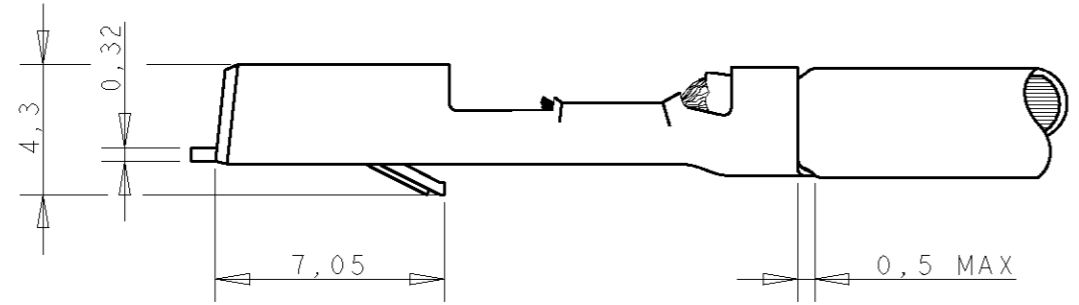
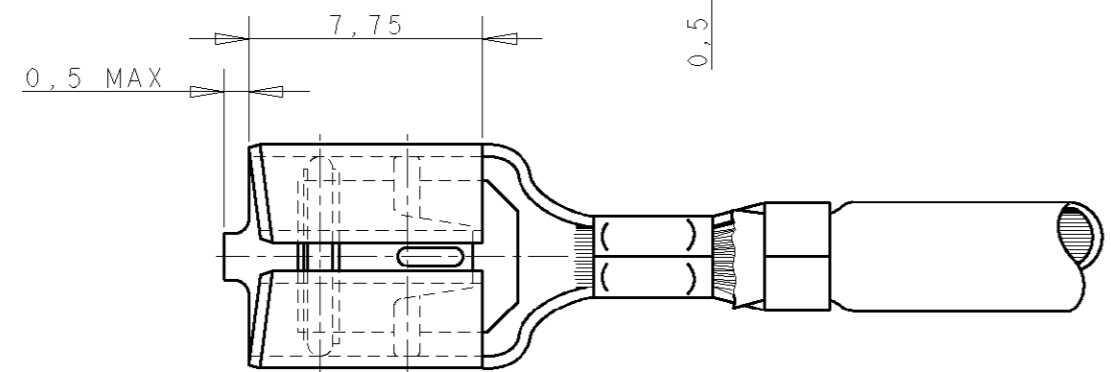
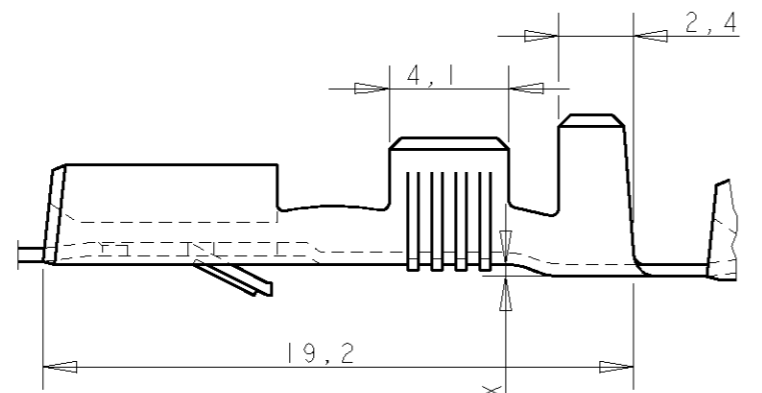
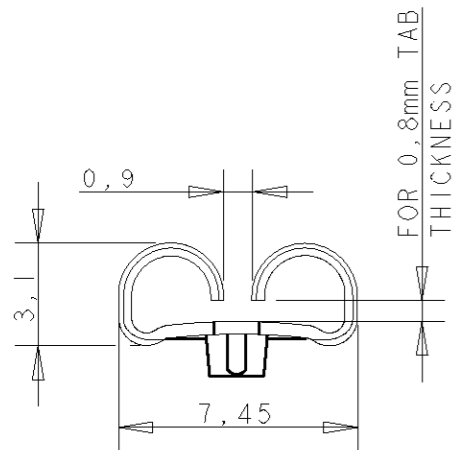
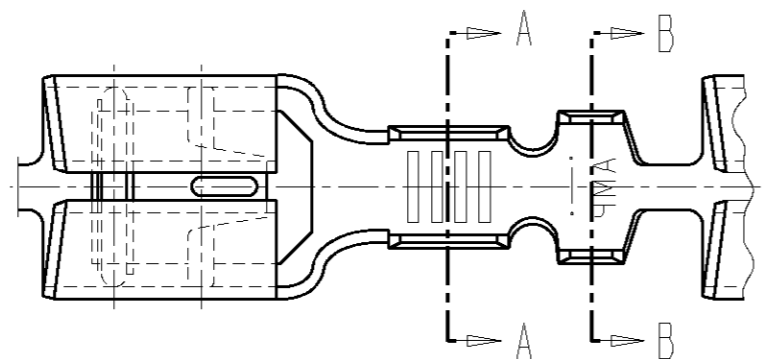
THIRD ANGLE  
PROJECTION



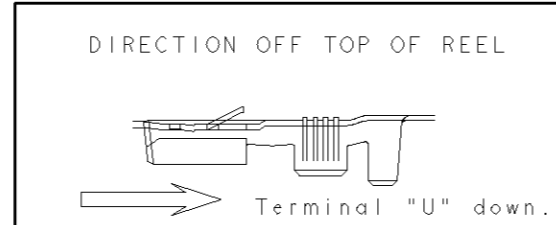
NOTES

1 NO BEAT IN LOCKING LANCE REQUIRED.

2 FOR HIGHER EXTRACTION FORCE APPLICATION.



WIRE RANGE :  
0,5-1,5 mm<sup>2</sup>  
INSULATION RANGE :  
2,3-3,3mm DIA.



GENERAL TOLERANCES ±0.3

	PRE-TINPLATED	PH. BRONZE	6-160526-8
	PRE-TINPLATED	BRASS	6-160526-7
2/1	UNPLATED	BRASS	9-160526-4
	TINPLATED	PH. BRONZE	6-160526-2
	SILVERPLATED	BRASS	6-160526-1
	SILVERPLATED	PH. BRONZE	6-160526-0
	TINPLATED	PH. BRONZE	5-160526-9
	UNPLATED	PH. BRONZE	5-160526-8
	TINPLATED	BRASS	5-160526-7
	UNPLATED	BRASS	5-160526-6
	TINPLATED	PH. BRONZE	160526-4

NOTES	FINISH	MATERIAL	AMP P/N	REV	
-	-	-	-	-	
ALI	ES00-0086-04	J.L	JL	22DEC04	
AL	ES00.0008-03	J.L	J.L	17JAN03	
AK	ES00-0065-01	JC	JL	19JUN01	
AJ	ES00-0043-01	JC	RS	15MAY01	
AH	REVISED FOR ET00-0171-00	H.Y	C.T	12 JUN 00	
C	H-9671	JvL	AB	23-03-92	
LTR.	REVISION RECORD	DR.	CHK.	DATE	
DR.:	J.v.LIEMPT.	CHK.:	A.BIJNEN.	APP.:	L.v.SOEST.
DATE:	23 MAR 1992	DATE:	-	DATE:	-

CUSTOMER DRAWING		FOR REFERENCE ONLY WILL NOT BE UPDATED	
© COPYRIGHT 19- BY AMP HOLLAND B.V. ALL INTERNATIONAL RIGHTS RESERVED. AMP PRODUCTS MAY BE COVERED BY U.S. AND FOREIGN AND/OR PATENTS PENDING.			
THIS DRAWING IS UNPUBLISHED RELEASED FOR PUBLICATION			
<b>AMP</b>		Tyco Electronics AMP Barcelona, Spain	
NAME FASTIN-FASTON® Connector, .250" sr. REC. CONTACT.			
DWG. No.	REV. LTR.	SHEET	
C-160526	ALI	1 OF 1	A3