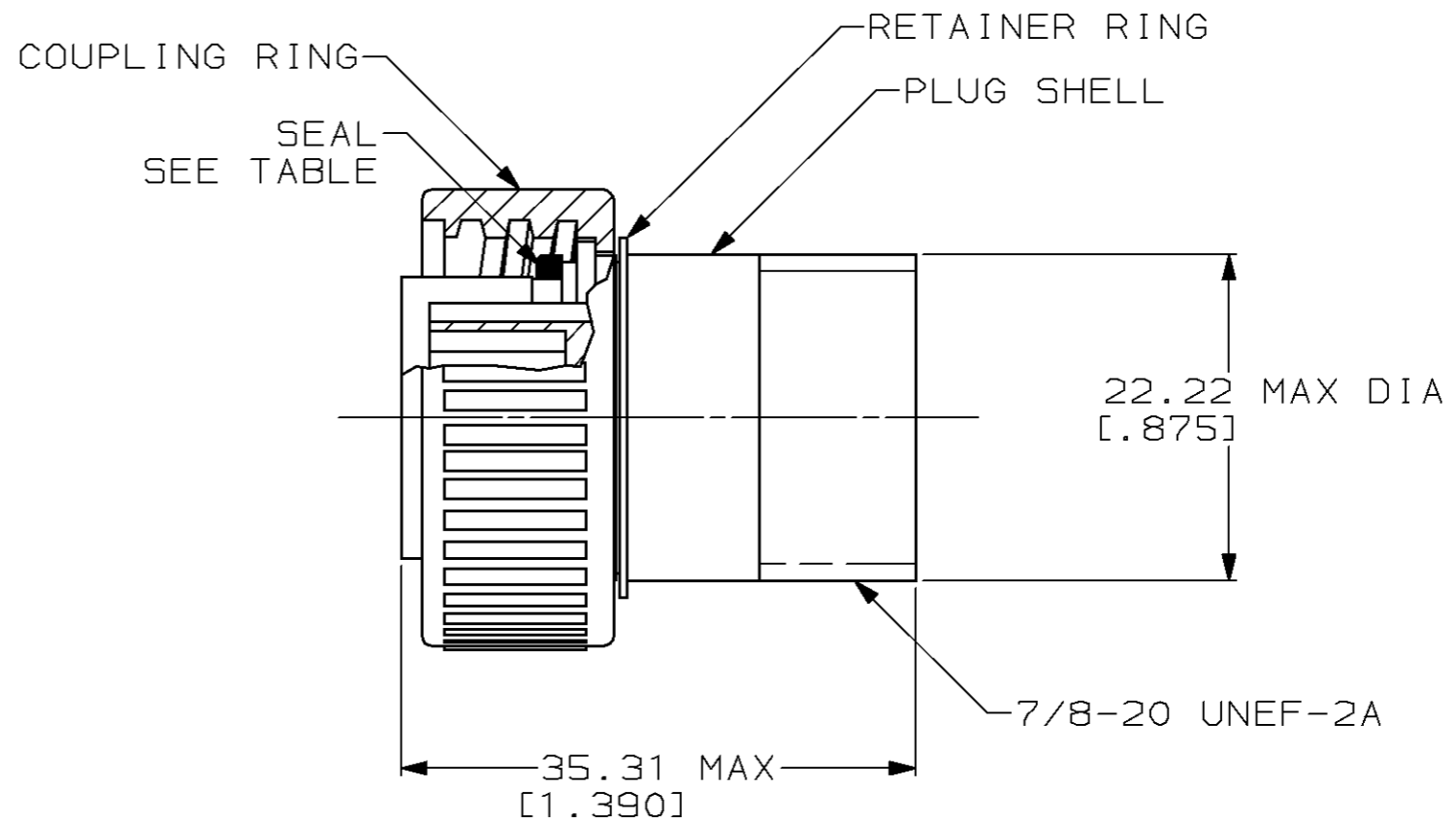
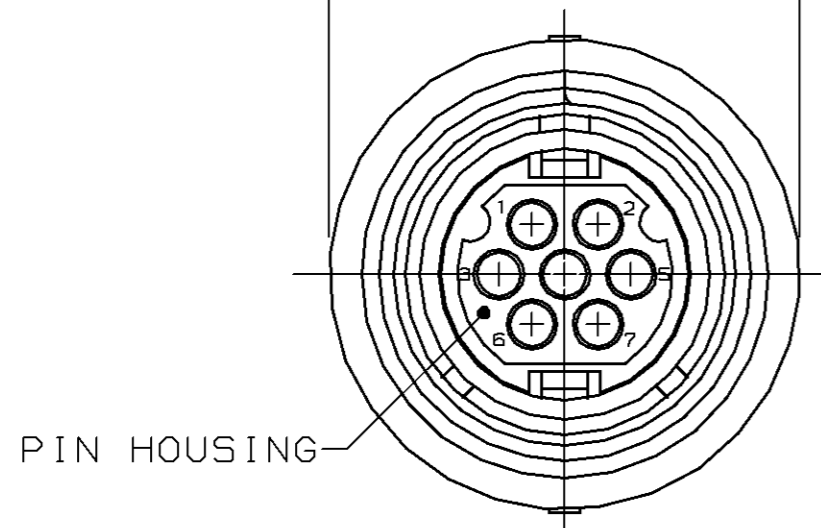


THIS DRAWING IS UNPUBLISHED. RELEASED FOR PUBLICATION, 19 .
 © COPYRIGHT 19 BY AMP INCORPORATED. ALL INTERNATIONAL RIGHTS RESERVED.

LOC	DIST	P	F	REVISIONS				
				ZONE	LTR	DESCRIPTION	DATE	APPD
BD	35				F	REDRAWN W/O CHANGE PER EC 0020-569-94	05/20/94	-
					G	OBS -2 PER EC 0020-0136-95	17 JUL 95	AF
					H	SUPSD -2 & REV PER EC 0020-1080-95	17 OCT 95	RB
					J	REV AND REACTIVATE -2 PER EC 0020-419-96	07 MAY 96	AWF

31.12±0.38 DIA
 [1.225±.015]



- THIS CONNECTOR ACCEPTS SEVEN (7) SIZE 16 MULTIMATE PIN CONTACTS, MAXIMUM WIRE INSULATION DIA = 2.67 [.105].
- THIS CONNECTOR MATES WITH AMP P/N 208717-1.
- AMP P/N AND DATE CODE TO BE LOCATED ON COUPLING RING.
- NICKEL PER QQ-N-290 OVER COPPER PER MIL-C-14550.
- ZINC PER QQ-Z-363.

YES	208716-2
NO	208716-1
SEAL	PART NO

DO NOT SCALE PRINT. UNLESS SPECIFIED DIMENSIONS IN mm [INCHES] TOLERANCES ON: 2 PLC DEC ± - 3 PLC DEC ± - ANGLES ± -	DR 05/20/94 D.HARDY	AMP AMP Incorporated Harrisburg, PA 17105-3608
	CHK 05/26/94 R.STONE	
	APPD 07/13/94 A.FRANTUM	NAME
	APPD 07/13/94 A.FRANTUM	PLUG ASSEMBLY, REVERSE SEX, SERIES 1, 14-7, CMC
MATERIAL PIN HSG: TERMOPLASTIC, BLACK SEAL: FLUOROCARBON ELASTOMER RTNR RING: STAINLESS STEEL CPLG RING: Δ PLUG SHELL: Δ	PRODUCT SPEC -	SIZE
FINISH CPLG RING: Δ PLUG SHELL: Δ	APPLICATION SPEC -	CAGE CODE
	WEIGHT -	DRAWING NO
		B 00779 C -208716
		SCALE 2:1 SHEET 1 OF 1

THIS DRAWING IS A CONTROLLED DOCUMENT FOR AMP INCORPORATED. IT IS SUBJECT TO CHANGE AND THE CONTROLLING ENGINEERING ORGANIZATION SHOULD BE CONTACTED FOR THE LATEST REVISION.

Metal-Shell Circular Plastic Connectors

Product Facts

- Economical combination of thermoplastic UL 94V-0 rated connector housings and metal shells
- Available in three series:
 - Series 1 -- Accepts Multimate contacts, shell sizes 14-5, 14-7, 22-16, 28-24, and 28-37 standard sex; 14-5, 14-7, 22-14, and 28-37 reverse sex
 - Series 2 -- Accepts 20 DF and 20 DM contacts, shell sizes 22-28 and 28-63 standard sex; 22-28 and 28-57 reverse sex
 - Series 3 -- Accepts Type XII power contacts, shell sizes 22-3 and 28-7 standard and reverse sex
- Compatible with MIL Spec metal housing type connectors
- Choice of application tooling to meet all production requirements

Description

AMP Metal-Shell Circular Plastic Connectors offer the reliability of higher priced all metal connectors at a fraction of the cost, and are offered in the more popular contact configurations. Connector housings are made of lightweight, sturdy, thermoplastic material that are UL 94V-0 rated, with zinc alloy, nickel plated shells for added strength and protection. These connectors are available in a variety of configurations to meet your signal, low current and high current requirements. Operating temperatures range from -55°C to + 125°C.

Signal and low current is provided by a choice of AMP Multimate contacts .062 [1.57] pin diameter and DF 20 and DM 20 contacts .040 [1.02] pin diameter. High current requirements are met by the AMP Type XII capable of carrying up to 35 amperes of current.

These quick connect/disconnect circular connectors feature polarized housings to prevent mismatching with other insert arrangements.

AMP Metal-Shell Circular Plastic Connectors are available in square flange receptacles and free-hanging plug connectors.

For additional economy, industry accepted AMP Type III+ pin and socket contacts are available on reels in strip form for high volume, low cost, automatic machine terminations. For low volume, prototype or maintenance and repair Type III+ contacts are also available in loose-piece form.

CPC and Metal-Shell CPC Connectors Introduction

Product Facts

- Lightweight, all-plastic and metal-shell connectors
- CPC connectors are UL 94V-0 rated and made of stabilized, heat resistant, self-extinguishing thermoplastic material
- Metal-shell CPC connector housings made of UL 94V-0 rated thermoplastic
- Operating temperature range: -55°C to 125°C
- Available in panel or chassis mount and free-hanging configurations
- Quick connect/disconnect capability with thread assist, positive detent coupling
- Built-in pin and socket protection
- Polarized for proper mating of connector halves
- Special connector configurations offer special solder and posted contacts, special receptacles with or without threaded inserts
- Full complement of optional accessories
- Recognized under the Component Program of the Underwriters Laboratories, Inc. for 250 VAC, rms or 250 VDC, Service*, File No. E28476
- Certified by the Canadian Standards Association, File No. LR 7189
- Select connectors are recognized for 600 volts service
- Four connector series for different interconnection requirements:
 - Series 1--Standard density, signal and low-current applications using durable Multimate contacts (.062 [1.57] pin diameter)
 - Series 2--High density applications using Size 20 DM and 20 DF contacts (.040 [1.02] pin diameter)
 - Series 3--Low density, power applications with Type XII contacts capable of carrying up to 35 amperes of current
 - Series 4--Combination of standard and power density application with Type III+ and Type XII contacts

Contact Selector Chart

Connector Type	20-DF	Type I	Type II	Type III+	Posted Type III+	Type XII	Sub-Mini Coax	POWERBAND
CPC Series 1			X	X	X		X	
CPC Series 2	X							
CPC Series 3						X		
CPC Series 4			X	X		X	X	
CPC Series 5								X
CPC Series 6		X	X	X				X
CPC 50				X				
CMC Series 1			X	X	X		X	
CMC Series 2	X							
CMC Series 3						X		
CMC Series 4			X	X		X	X	