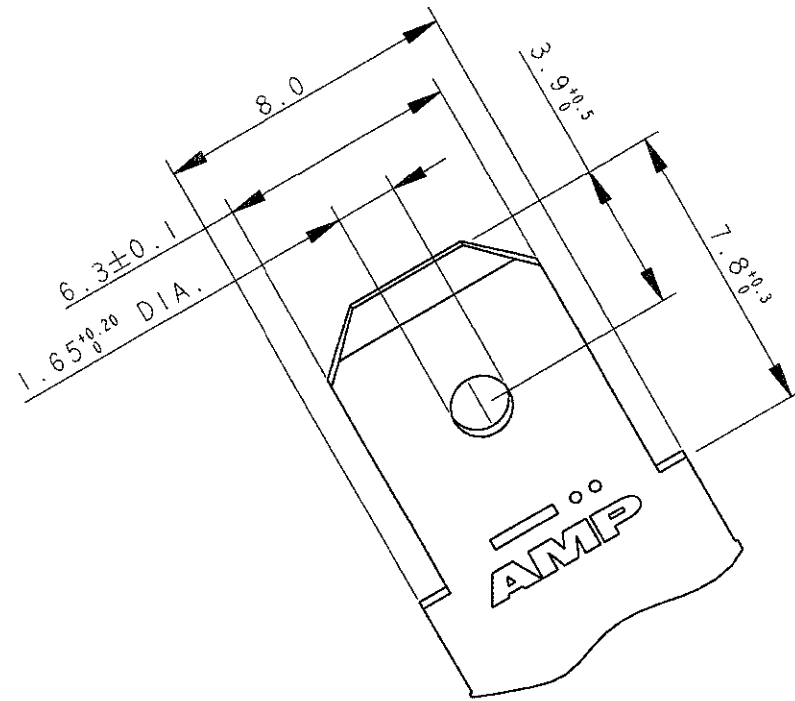
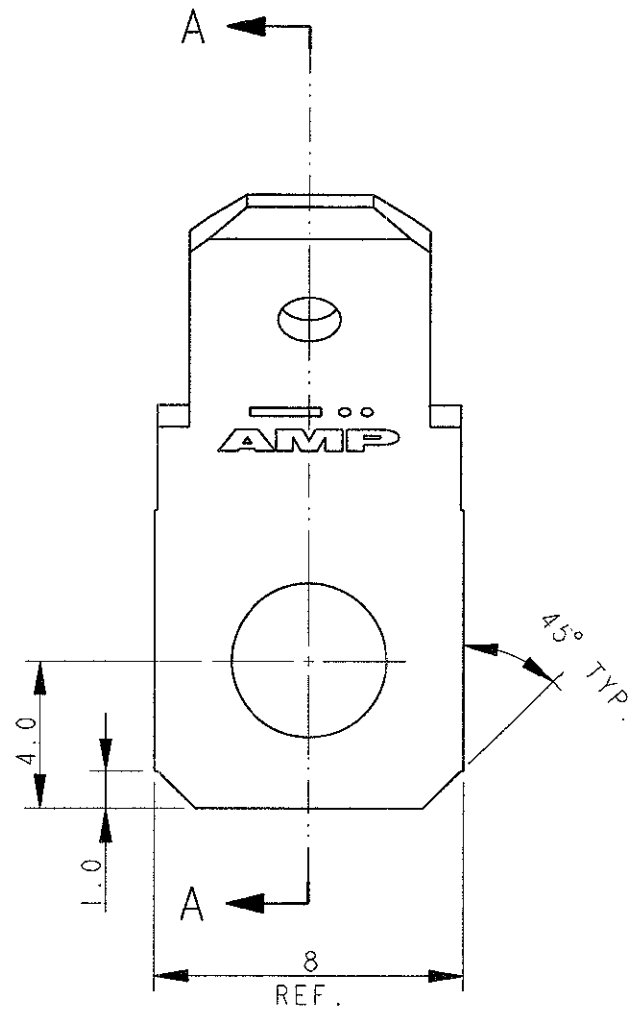
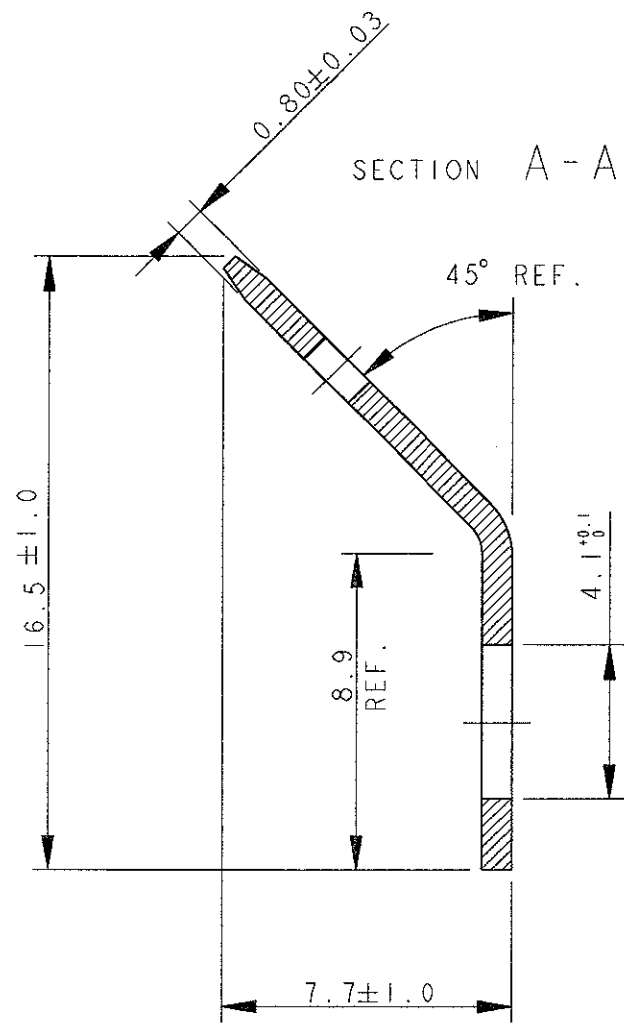


LOC	DIST	REVISIONS					
		P	LTR	DESCRIPTION	DATE	DWN	APVD
1	-	C1		REDRAWN, ET00-0108-02	03 MAY 2002	H. Y.	C.T.



STAGNATO (TIN PLATED)	OTTONE (BRASS)	181949-2	C
NUDO (PLAIN)	OTTONE (BRASS)	181949-1	C
FINITURA (FINISH)	MATERIALE (MATERIAL)	PART NO.	REV

THIS DRAWING IS A CONTROLLED DOCUMENT FOR TYCO ELECTRONICS CORPORATION. IT IS SUBJECT TO CHANGE AND THE CONTROLLING ENGINEERING ORGANIZATION SHOULD BE CONTACTED FOR THE LATEST REVISION.

DIMENSIONS: mm	TOLERANCES UNLESS OTHERWISE SPECIFIED:	DWN H. YAALI 31 MAY 2002	AMP ITALIA S.p.A. C.so F.lli Cervi 15, COLLEGNO (TO)
	0 PLC ±- 1 PLC ±0.3 2 PLC ±- 3 PLC ±- 4 PLC ±- ANGLES ±2°	CHK C. TARTARI APVD - PRODUCT SPEC N/A APPLICATION SPEC N/A WEIGHT 0.8 GR	
MATERIAL SEE TABLE	FINISH SEE TABLE	CUSTOMER DRAWING	SIZE A3 CAGE CODE 00779 DRAWING NO. C-181949 RESTRICTED TO - SCALE 5:1 SHEET 1 OF 1 REV C1