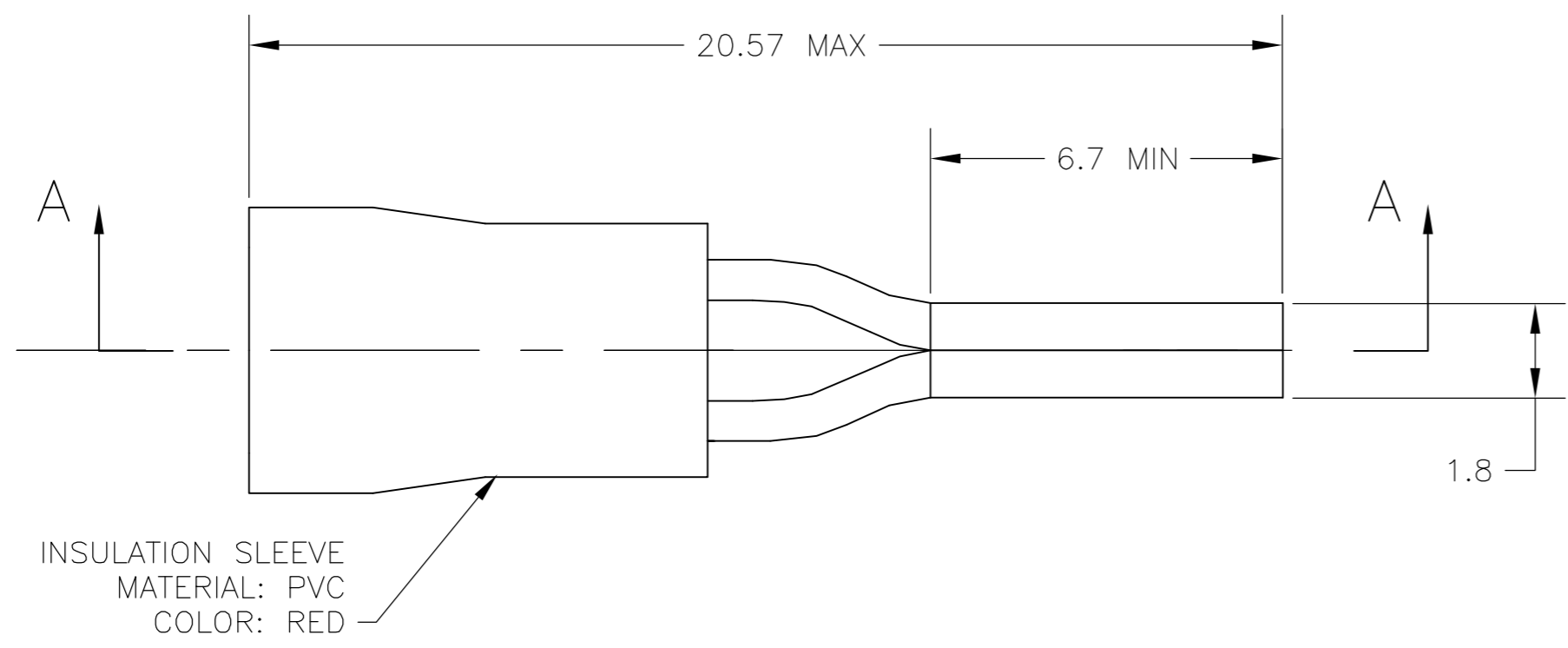


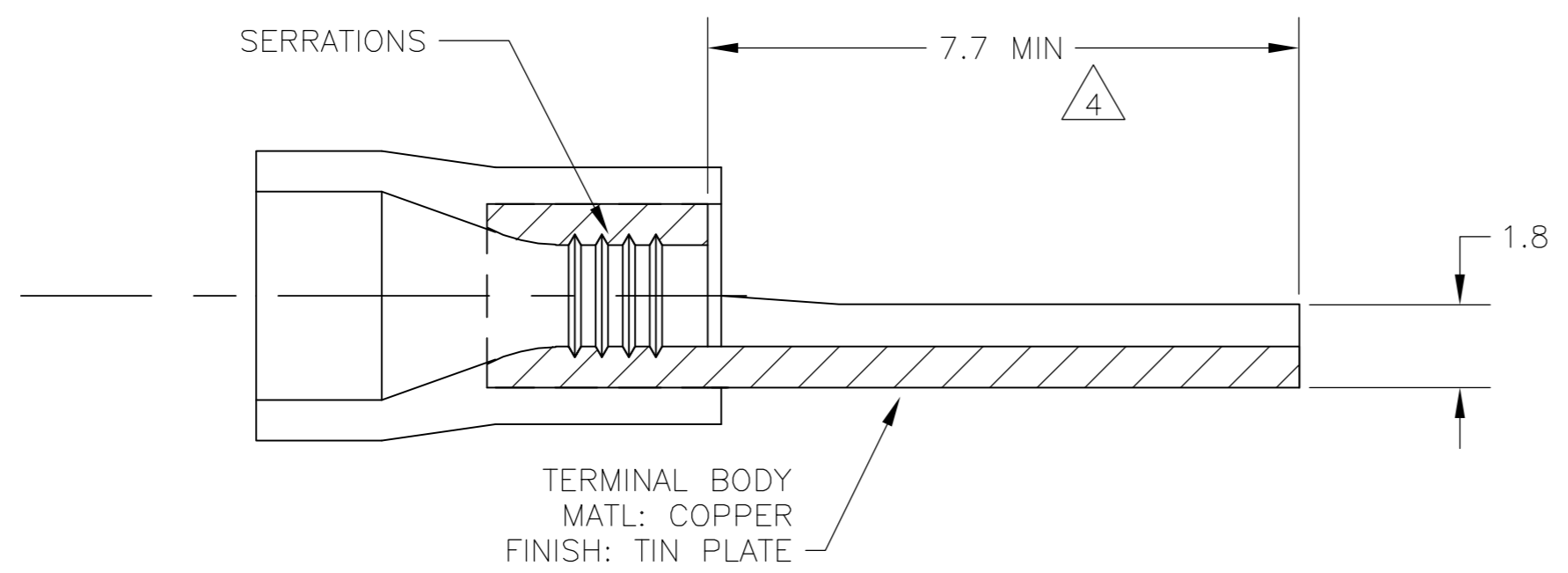
THIS DRAWING IS UNPUBLISHED. RELEASED FOR PUBLICATION
 © COPYRIGHT BY TYCO ELECTRONICS CORPORATION. ALL RIGHTS RESERVED.

| LOC | | DIST | | REVISIONS | | | |
|-----|-----|-------------|-------------------|-----------|------|----|--|
| P | LTR | DESCRIPTION | DATE | DWN | APVD | | |
| G | 14 | 01 | REV PER 06-002577 | 02FEB06 | JR | TM | |



INSULATION SLEEVE
 MATERIAL: PVC
 COLOR: RED

- 1 WIRE SIZE IS #22-#16 AWG
- 2 WIRE INSULATION DIA: 2.7 - 3.6
- 3 MATERIAL THICKNESS IS 0.8
- 4 DIMENSION APPLIES FROM EDGE OF METAL WIRE BARREL TO END OF PIN



TERMINAL BODY
 MATL: COPPER
 FINISH: TIN PLATE

SECTION A-A

| | | | |
|-------------|-----------|---------|---------|
| PLASTIC BAG | STANDARD | 1000 | 181630 |
| PACKAGING | LABELLING | QTY RED | PART NO |

| | | | | |
|--|--|----------------------------------|---|--|
| THIS DRAWING IS A CONTROLLED DOCUMENT. | | DWN jr ruth 02FEB06 | Tyco Electronics Corporation Harrisburg, PA 17105-3608 | |
| DIMENSIONS: INCHES | | CHK T MICHIELUTTI 02FEB06 | NAME T MICHIELUTTI 02FEB06 | |
| TOLERANCES UNLESS OTHERWISE SPECIFIED: | | APVD T MICHIELUTTI 02FEB06 | PRODUCT SPEC | |
| 0 PLC ± - | | APPLICATION SPEC | | |
| 1 PLC ± 0.5 | | WEIGHT - | | |
| 2 PLC ± - | | SIZE A2 | | |
| 3 PLC ± - | | CAGE CODE 00779 | | |
| 4 PLC ± - | | DRAWING NO C=181630 | | |
| ANGLES ± 1° | | RESTRICTED TO - | | |
| FINISH - | | SCALE 8:1 | | |
| MATERIAL - | | SHEET 1 of 1 | | |
| CUSTOMER DRAWING | | REV 01 | | |

181630