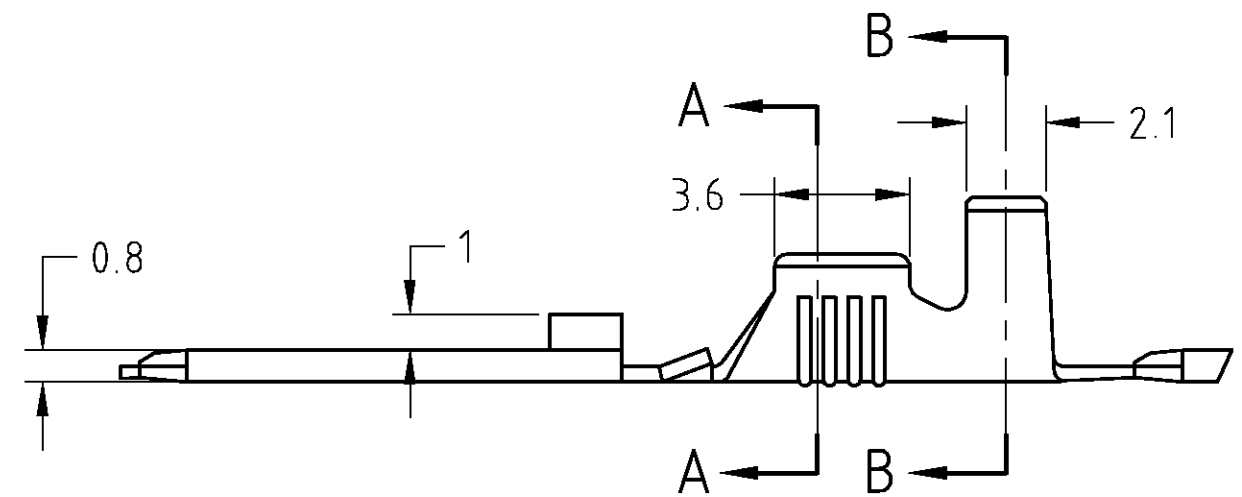
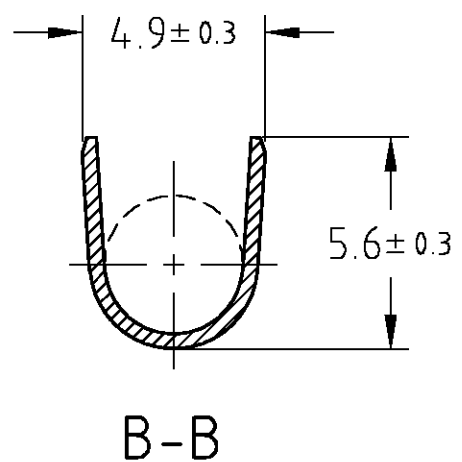
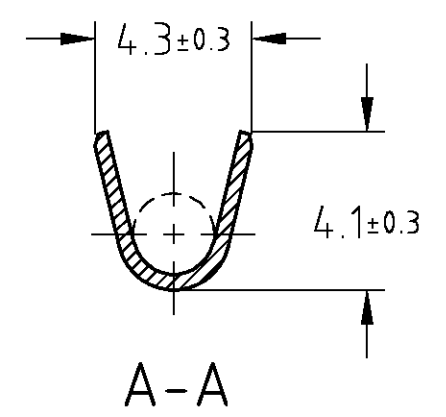
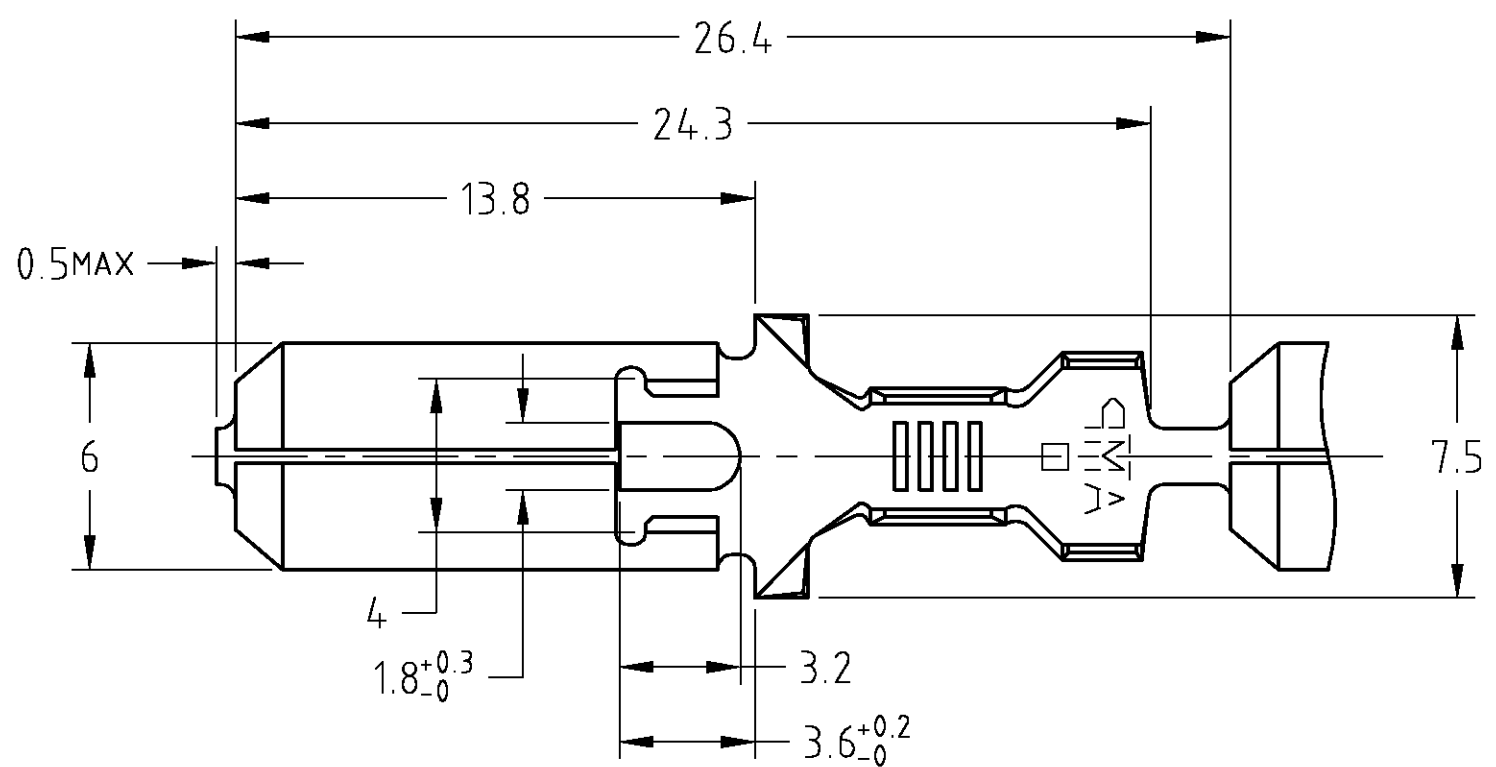


THIS DRAWING IS UNPUBLISHED. RELEASED FOR PUBLICATION  
 © COPYRIGHT BY TYCO ELECTRONICS CORPORATION. ALL RIGHTS RESERVED.

LOC	DIST	REVISIONS					
		P	LTR	DESCRIPTION	DATE	DWN	APVD
J	—	C1		REDRAWN WITH CHANGE ECR-05-011868	27SEP2005	J.S	N.Y



—#—	銅めっき済 黄銅 PRE-TIN BRASS t=0.41	170341-4
—#—	銅めっき済 黄銅 PRE-TIN BRASS t=0.41	170341-3
—#—	黄銅 BRASS t=0.41	170341-1
仕上げ FINISH	材料 MATERIAL	型番 PART NUMBER

WIRE RANGE 2-3.37mm<sup>2</sup> (AWG#14-#12) INSULATION DIA 2.9-3.8DIA

注記：  
 中間紙を巻いたタイプ  
 NOTES:  
 SEPARATE PAPER TYPE

THIS DRAWING IS A CONTROLLED DOCUMENT.		DWN T.SHINOHARA 16JUN1998	Tyco Electronics AMP K.K. Kawasaki, Japan	
DIMENSIONS: 単位: 耗 mm		CHK K.BETSUI 16JUN1998		
TOLERANCES UNLESS OTHERWISE SPECIFIED: 一般公差		APVD K.BETSUI 16JUN1998	NAME 名称	
10 ≥ ± 0.2 30 ≥ >10 ± 0.25 100 ≥ >30 ± 0.3		PRODUCT SPEC 108-5147,5153,5319	250 SERIES TAB WITHOUT LATCH	
MATERIAL 材料 SEE TABLE		APPLICATION SPEC 取付適用規格 114-5052	SIZE A3	CAGE CODE 00779
ANGLES ± 0.3		WEIGHT	DRAWING NO 番号 C-170341	RESTRICTED TO
FINISH 仕上 SEE TABLE		CUSTOMER DRAWING	SCALE 尺度 5:1	SHEET 1 OF 1
				REV C1