

4

3

2

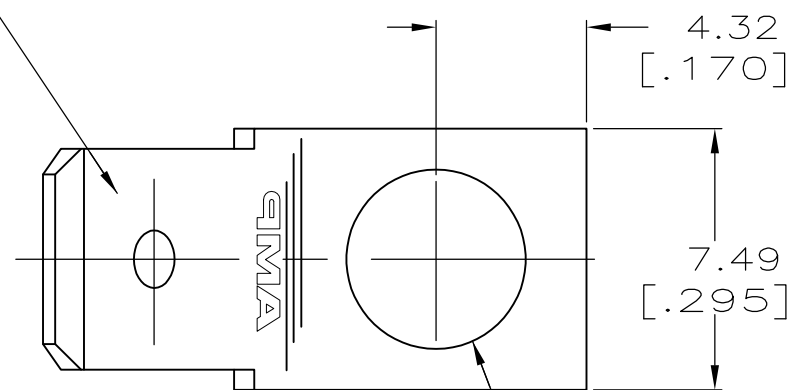
1

THIS DRAWING IS UNPUBLISHED. RELEASED FOR PUBLICATION -,-
 © COPYRIGHT - By - ALL RIGHTS RESERVED.

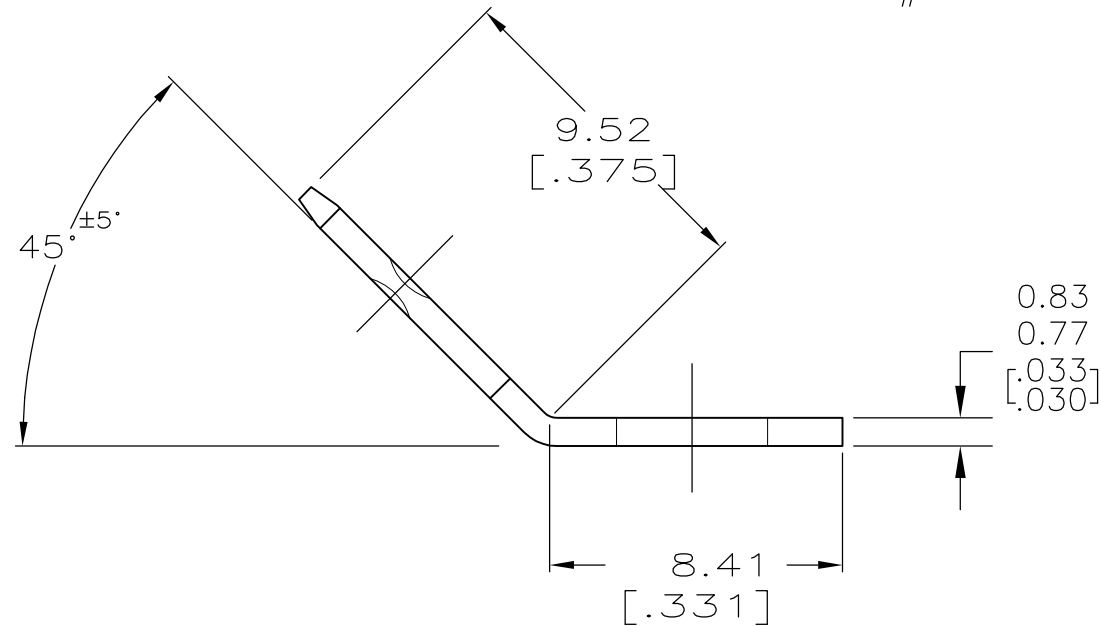
LOC	DIST	REVISIONS					
AF	50	P	LTR	DESCRIPTION	DATE	DWN	APVD
		G1		REVISED PER ECO-11-004917	11MAR11	RK	HMR

1 SUPPLIED IN LOOSE PIECE.


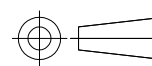
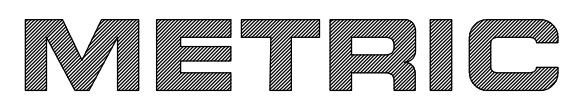
FITS 6.35 [.250] SERIES FASTON RECEPTACLE



± 0.076 ± 0.003
 5.00 [.197]
 #10 STUD HOLE



61499-1
 PART NO

THIS DRAWING IS A CONTROLLED DOCUMENT.		DWN	JR RUTH	11/12/91	 TE Connectivity NAME TAB, FASTON,™ 6.35 [.250] SERIES			
DIMENSIONS: mm[INCHES]		CHK	MS FEHER	11/12/91				
		APVD	C MEYERS	11/12/91				
		TOLERANCES UNLESS OTHERWISE SPECIFIED:		PRODUCT SPEC		---		
MATERIAL	082 BRASS	FINISH	TIN	WEIGHT	---			
		APPLICATION SPEC		---	SIZE	CAGE CODE	DRAWING NO	RESTRICTED TO
				---	A3	00779	C-61499	---
				CUSTOMER DRAWING	SCALE	5:1	SHEET	1 OF 1
							REV	G1