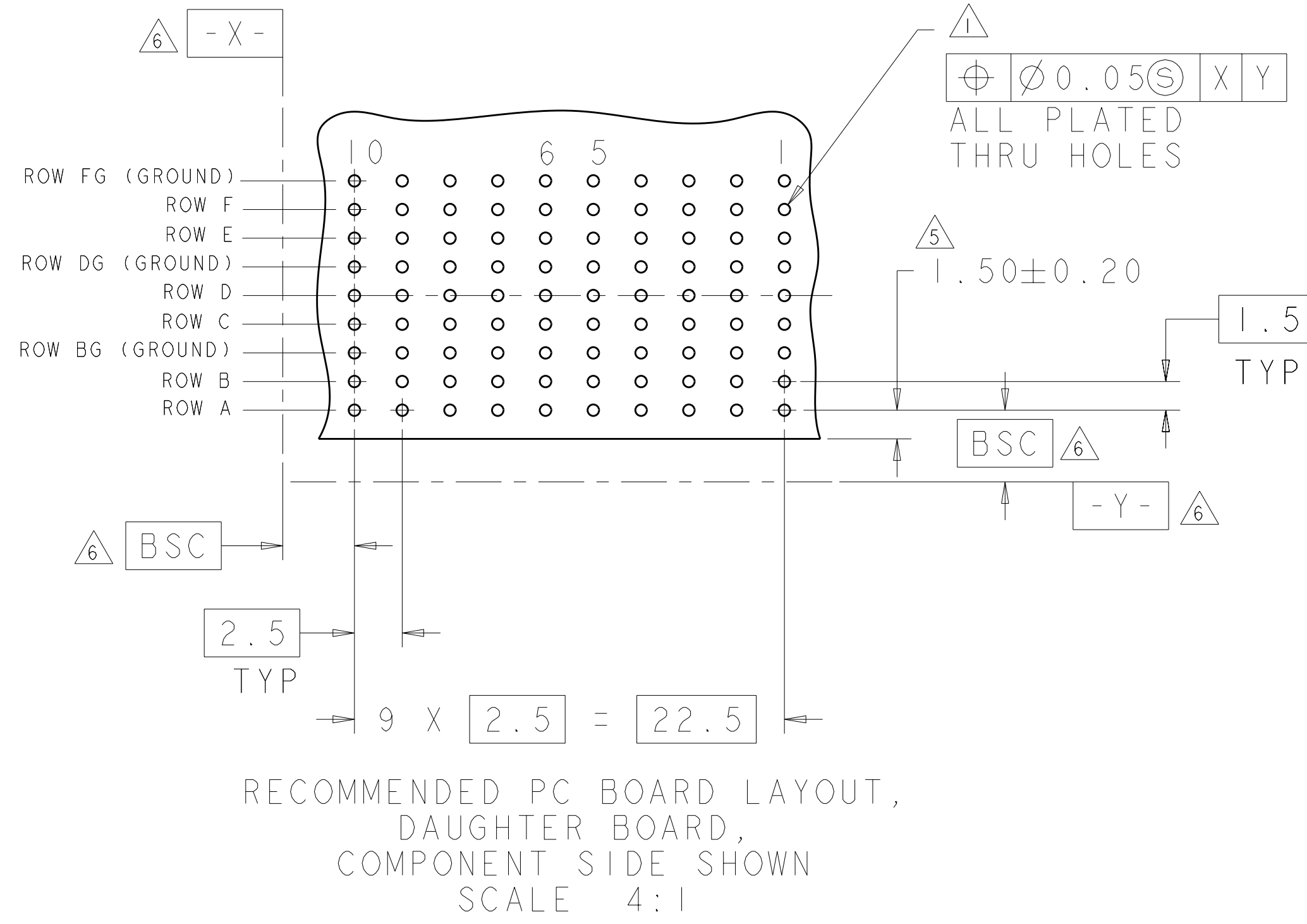
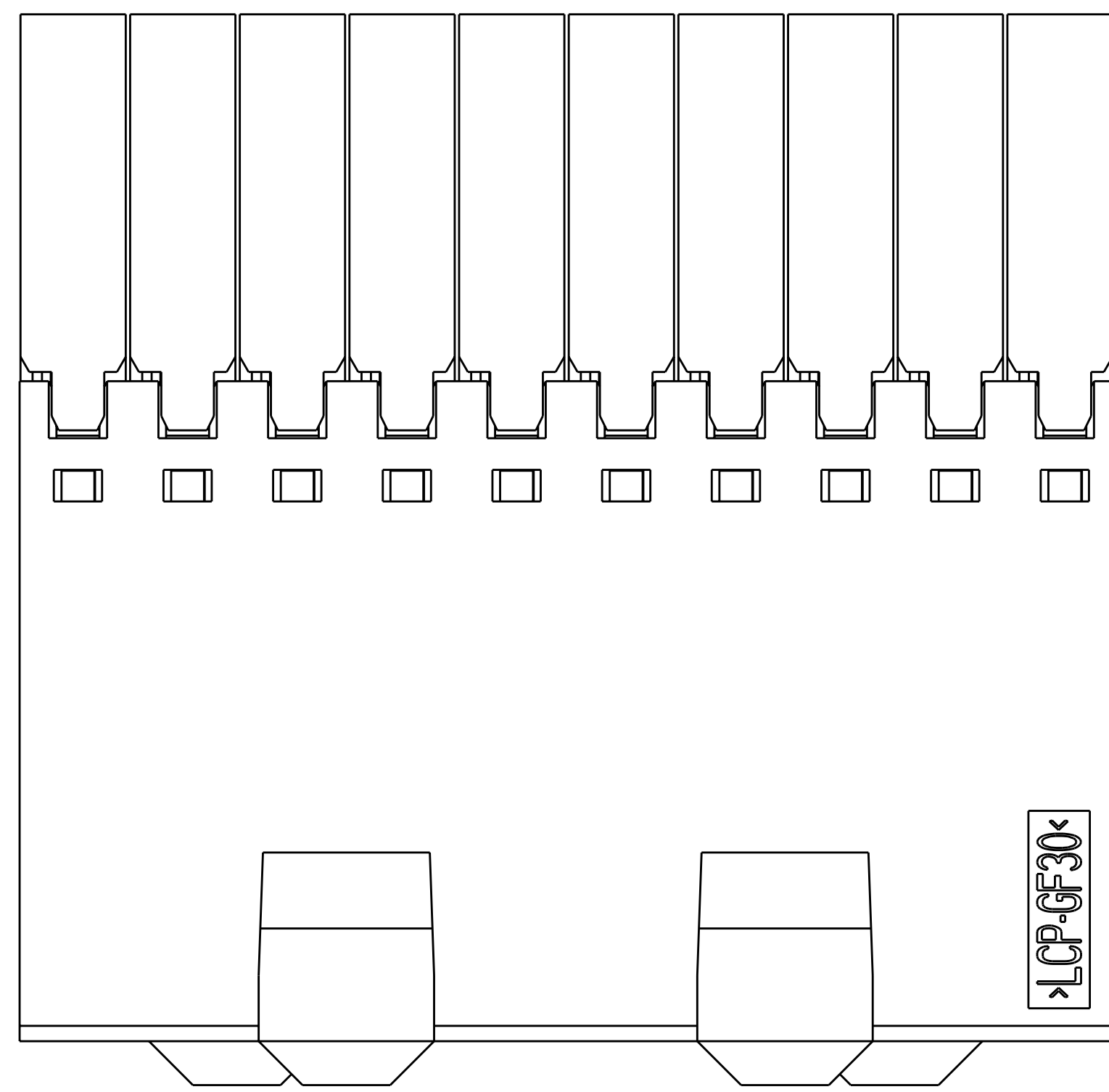
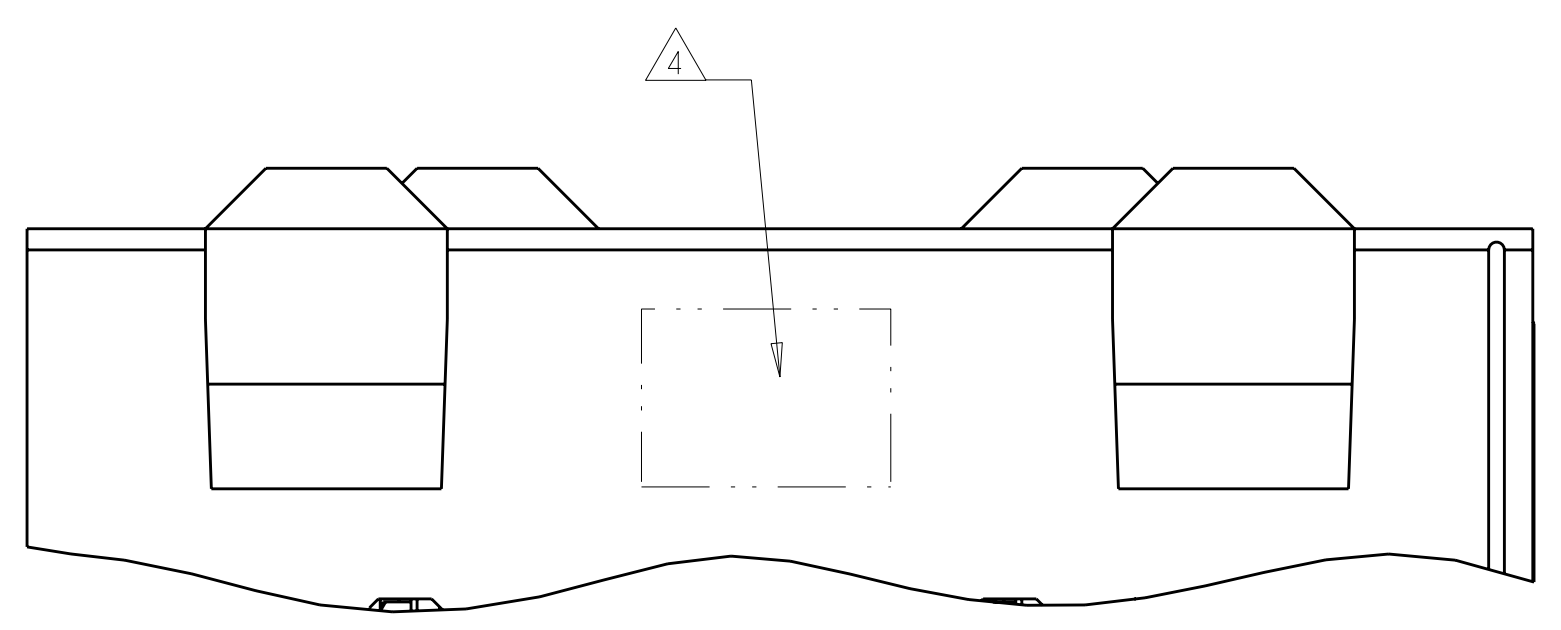
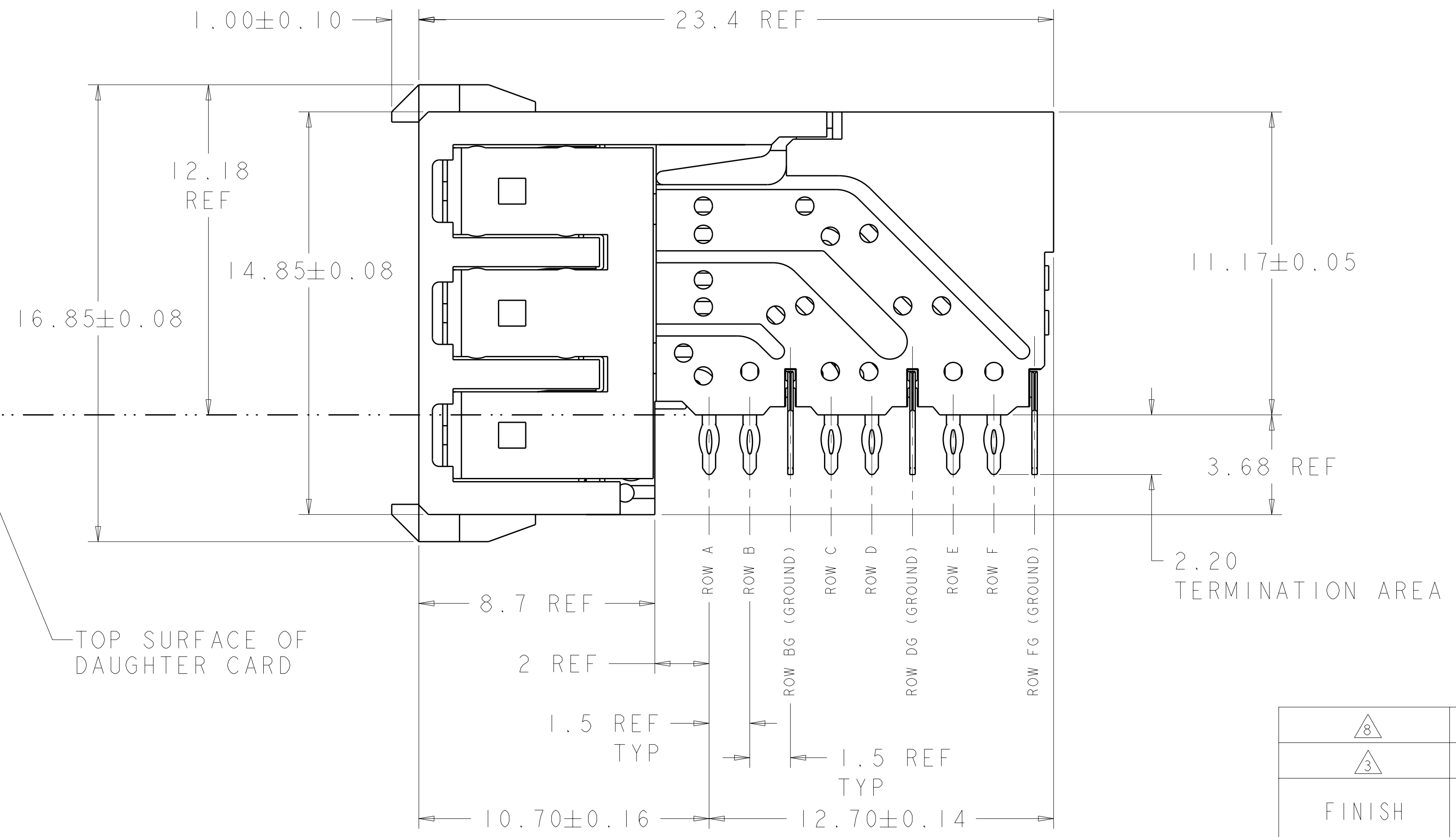
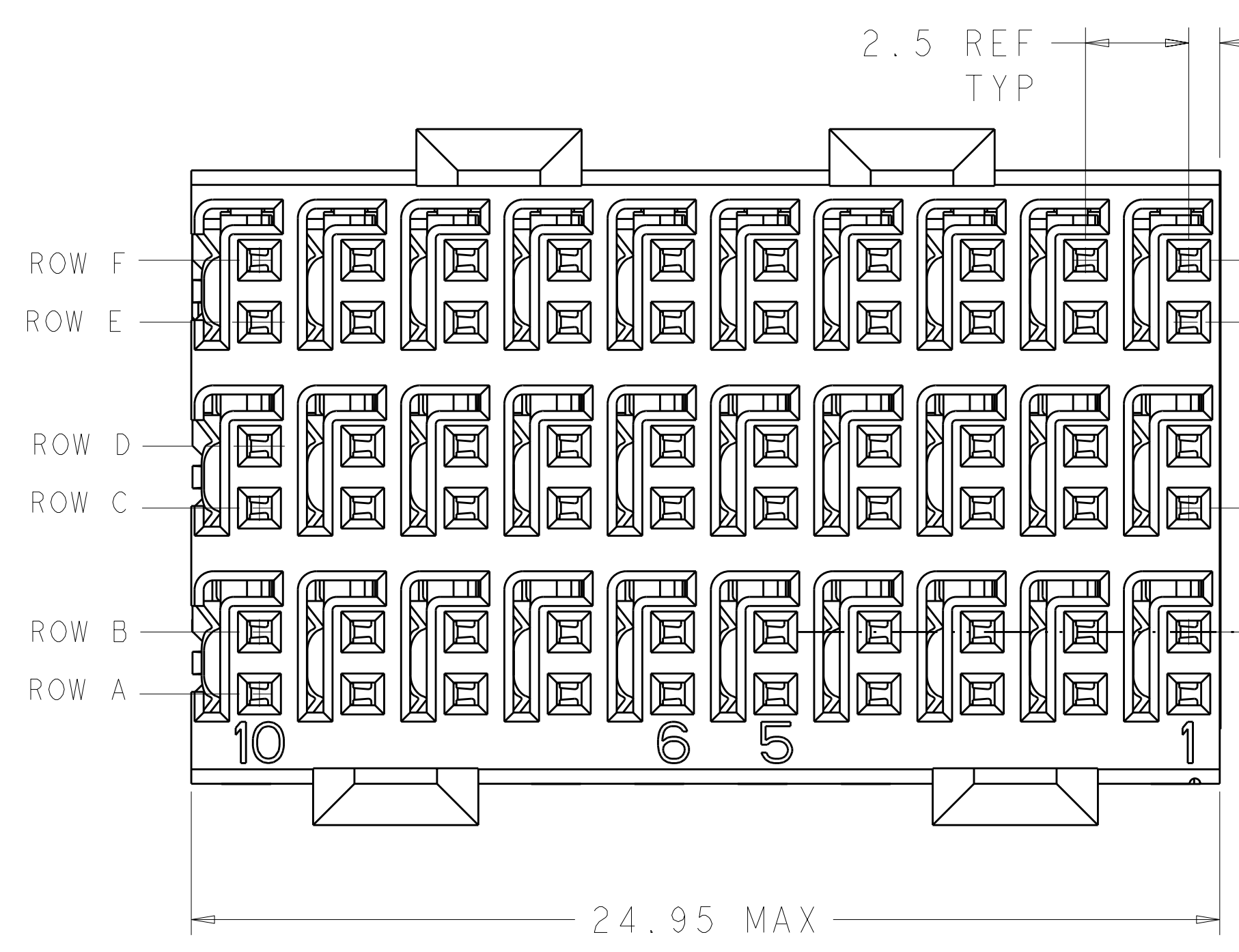


REVISONS		DATE	DWN	APVD
AD	00			
B	REV PER ECO-11-007577	13APR2011	RKC	JE



- △ REFERENCE APPLICATION SPEC 114-13059 FOR RECOMMENDED PLATED THRU HOLE DIAMETER AND PLATING THICKNESSES.
- △ MATERIAL:
 SHIELD - PHOSPHOR BRONZE
 CONTACT - COPPER-NICKEL-SILICON
 HOUSING, CHICKLET AND CHICKLET COVER - GLASS FILLED POLYESTER, UL 94V-0 RATED.
- △ FINISH: SIGNAL AND GROUND CONTACTS:
 MATING AREA: MEETS THE PERFORMANCE REQUIREMENTS OF PRODUCT SPECIFICATION 108-2055; BASED ON TELCORDIA GR-1217-CORE, APPLICATIONS IN UNCONTROLLED ENVIRONMENTS
 COMPLIANT PIN AREA: 0.5 μm MIN MATTE TIN OVER BASE PLATING
- △ CONNECTOR MARKED WITH PART NUMBER AND DATE CODE IN APPROXIMATE AREA SHOWN.
- △ DIMENSION APPLIES TO CENTERLINE OF THRU HOLE
- △ DATUMS AND BASIC DIMENSIONS ESTABLISHED BY CUSTOMER
- 7. CONTACT AREA LUBRICATED WITH BELLCORE APPROVED LUBRICANT. TECHNICAL REFERENCE: GR-1217-CORE, ISSUE 1, NOVEMBER 1995.
- △ FINISH: CONTACT AND SHIELD
 MATING AREA - 1.27 μm MIN GOLD OVER 1.27 μm MIN NICKEL
 COMPLIANT PIN AREA - 0.5 μm MIN TIN OVER 1.27 μm MIN NICKEL



△	6469081-2
△	6469081-1
FINISH	PART NUMBER

THIS DRAWING IS A CONTROLLED DOCUMENT.

DIMENSIONS: mm

TOLERANCES UNLESS OTHERWISE SPECIFIED:

9 PLC	±
3 PLC	±
5 PLC	±
4 PLC	±
ANGLES	±1°

MATERIAL: △

FINISH: SEE TABLE

DWN: S. MAGARO 28JUN2004
 CHK: R. PATTERSON 28JUN2004
 APVD: R. PATTERSON 17MAY2007

NAME: RECEPTACLE ASSEMBLY, 3 PAIR, 25mm, HMZd

SIZE: A100779 C=6469081

CUSTOMER DRAWING

SCALE: 8:1 SHEET 1 OF 1 REV B