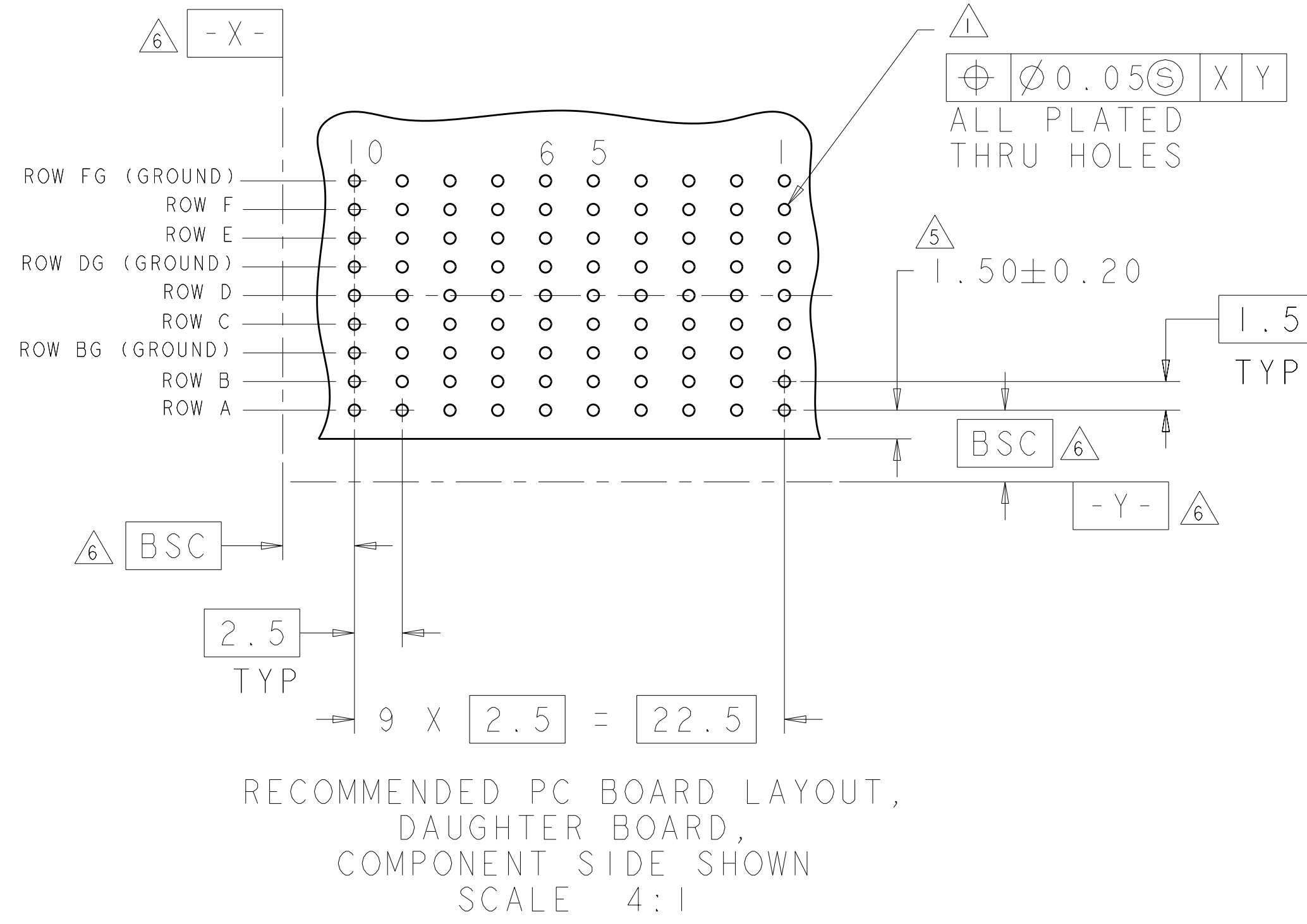
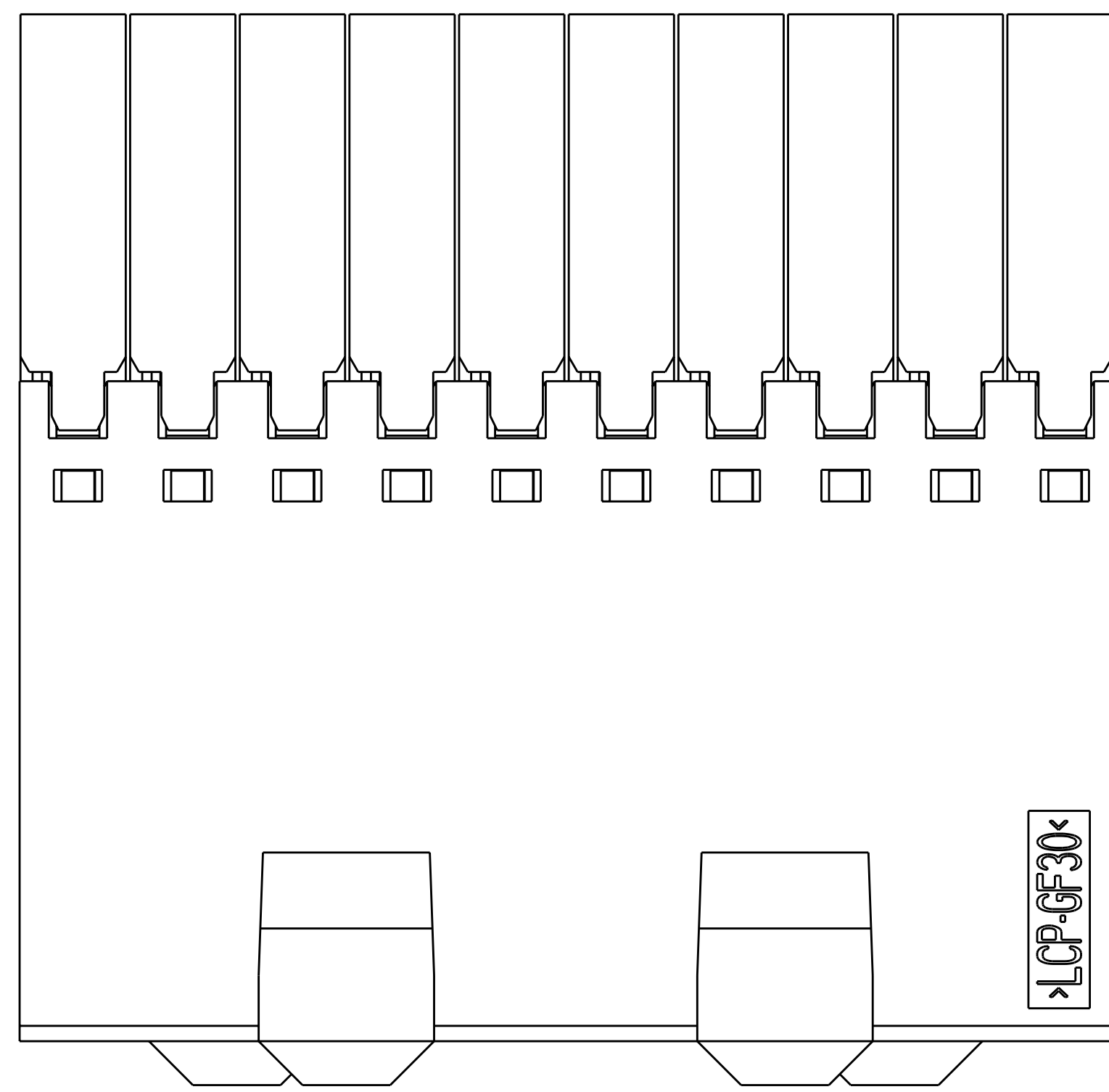
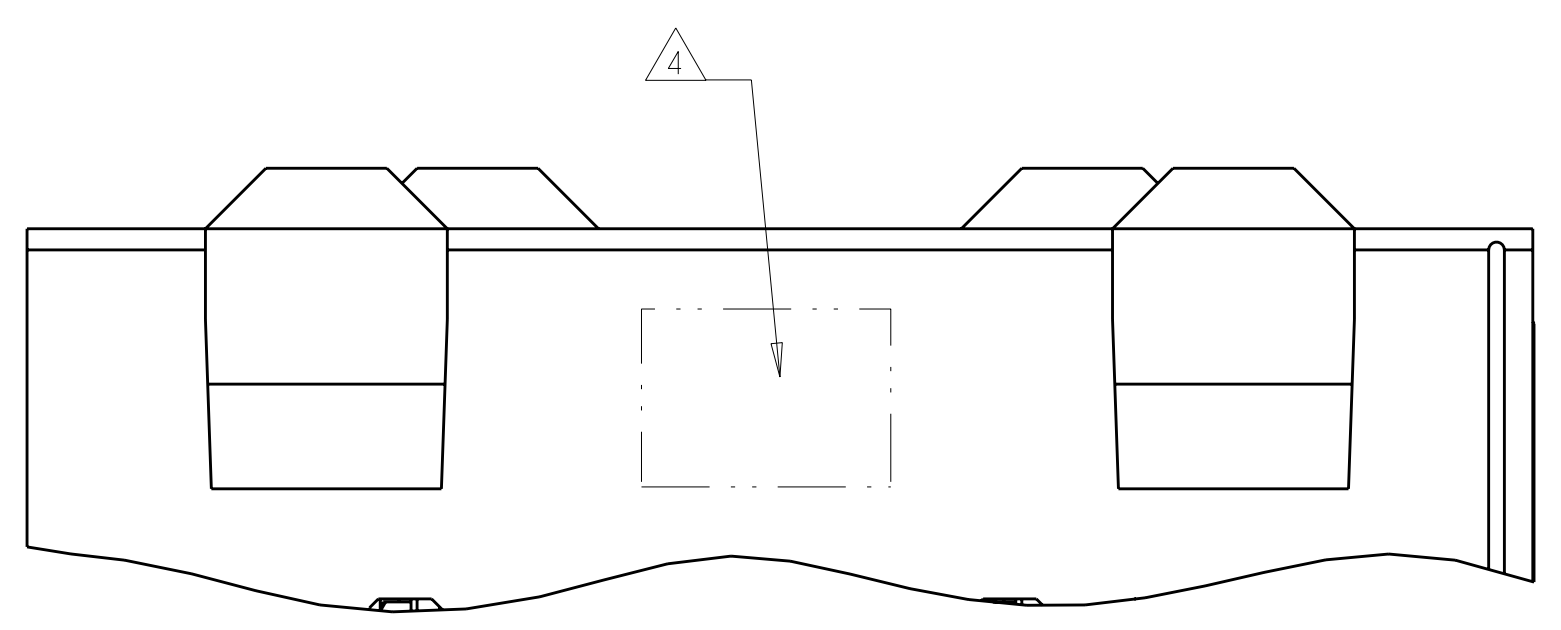
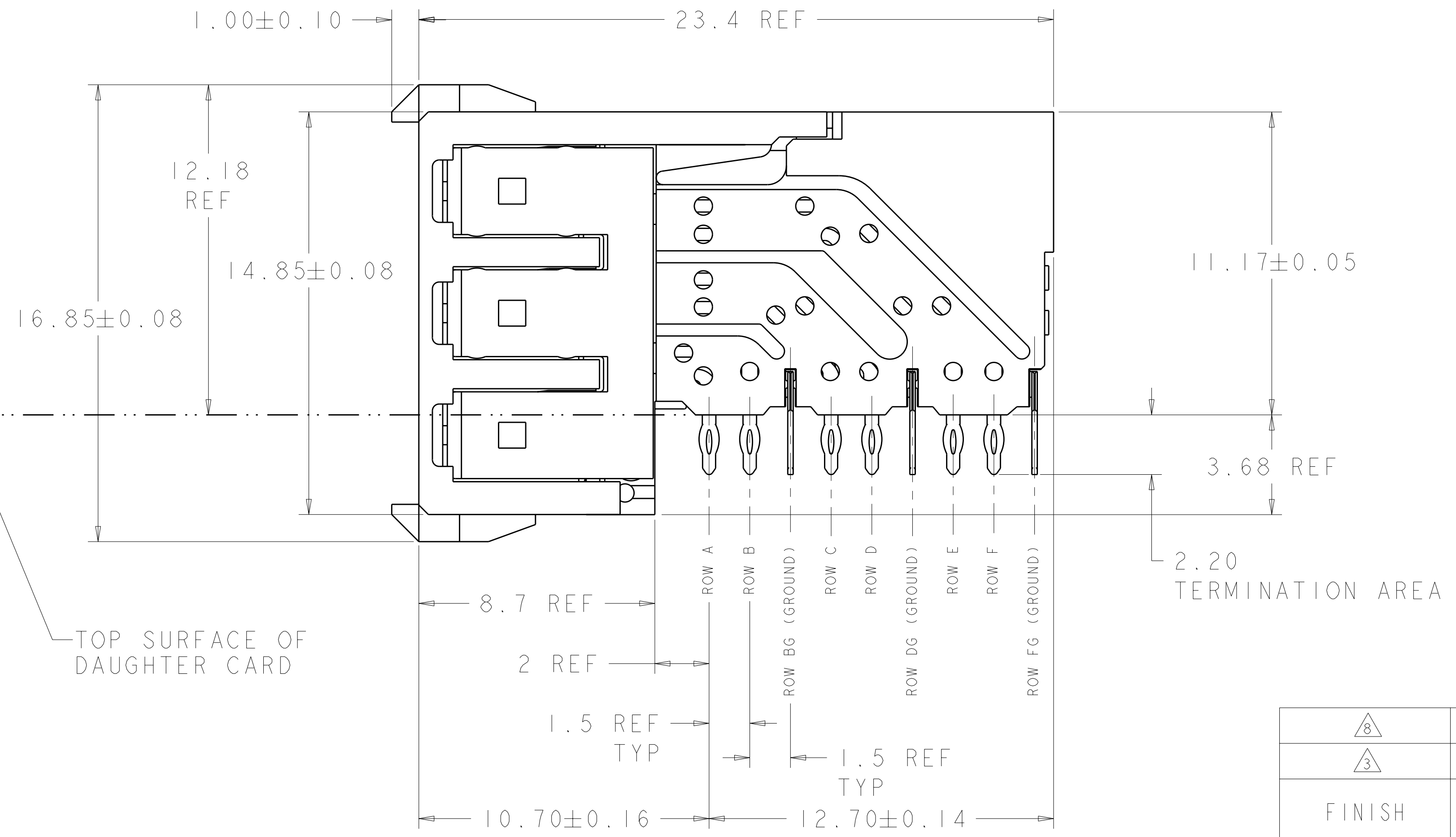
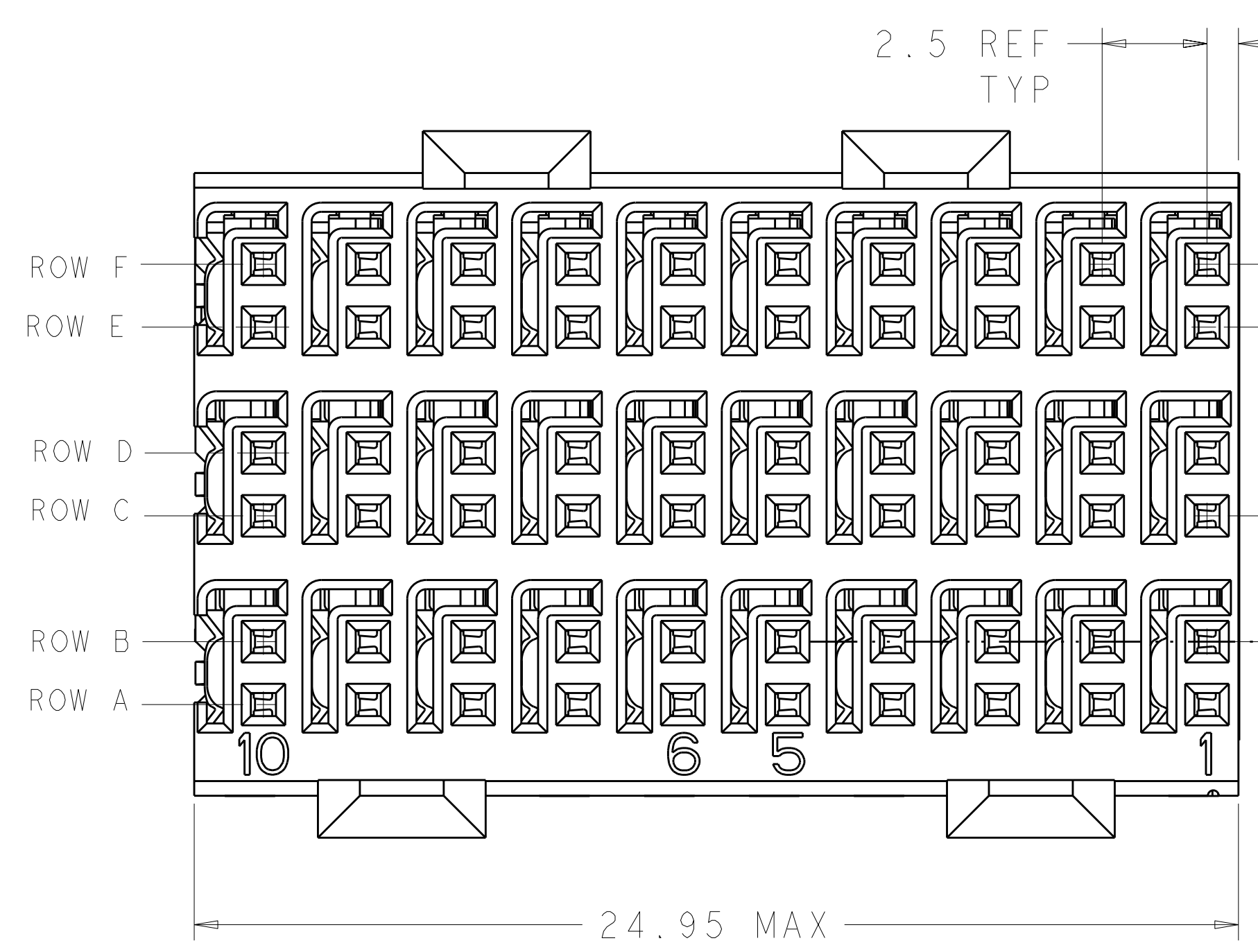


LOC	DIST	REV	DATE	BY	CHKD	APVD
AD	00	C	13APR2011	RKC	JE	



- △ REFERENCE APPLICATION SPEC 114-13059 FOR RECOMMENDED PLATED THRU HOLE DIAMETER AND PLATING THICKNESSES.
- △ MATERIAL:
 SHIELD - PHOSPHOR BRONZE
 CONTACT - COPPER-NICKEL-SILICON
 HOUSING, CHICKLET AND CHICKLET COVER - GLASS FILLED POLYESTER, UL 94V-0 RATED.
- △ FINISH: SIGNAL AND GROUND CONTACTS:
 MATING AREA: MEETS THE PERFORMANCE REQUIREMENTS OF PRODUCT SPECIFICATION 108-2055; BASED ON TELCORDIA GR-1217-CORE, APPLICATIONS IN UNCONTROLLED ENVIRONMENTS
 COMPLIANT PIN AREA: 0.5µm MIN BRIGHT TIN-LEAD OVER BASE PLATING
- △ CONNECTOR MARKED WITH PART NUMBER AND DATE CODE IN APPROXIMATE AREA SHOWN.
- △ DIMENSION APPLIES TO CENTERLINE OF THRU HOLE
- △ DATUMS AND BASIC DIMENSIONS ESTABLISHED BY CUSTOMER
- 7. CONTACT AREA LUBRICATED WITH BELLCORE APPROVED LUBRICANT. TECHNICAL REFERENCE: GR-1217-CORE, ISSUE 1, NOVEMBER 1995.
- △ FINISH: CONTACT AND SHIELD
 MATING AREA - 1.27µm MIN GOLD OVER 1.27µm MIN NICKEL
 COMPLIANT PIN AREA - 0.05µm MIN BRIGHT TIN-LEAD OVER 1.27µm MIN NICKEL



△8	1469081-2
△3	1469081-1
FINISH	PART NUMBER

THIS DRAWING IS A CONTROLLED DOCUMENT.		DWN	S. MAGARO	13MAY2002
DIMENSIONS:		CHK	N. SCHROLL	13MAY2002
mm	9 PLC ±	APVD	R. PATTERSON	16MAY2007
	1 PLC ±	NAME		
	2 PLC ±	RECEPTACLE ASSEMBLY,		
	3 PLC ±	3 PAIR, 25mm, HMZd		
	4 PLC ±	SIZE CAGE CODE DRAWING NO		
	ANGLES ±	A100779C=1469081		
MATERIAL	FINISH	WEIGHT	RESTRICTED TO	
SEE TABLE	SEE TABLE		CUSTOMER DRAWING	
SCALE 8:1		SHEET 1 OF 1 REV C		