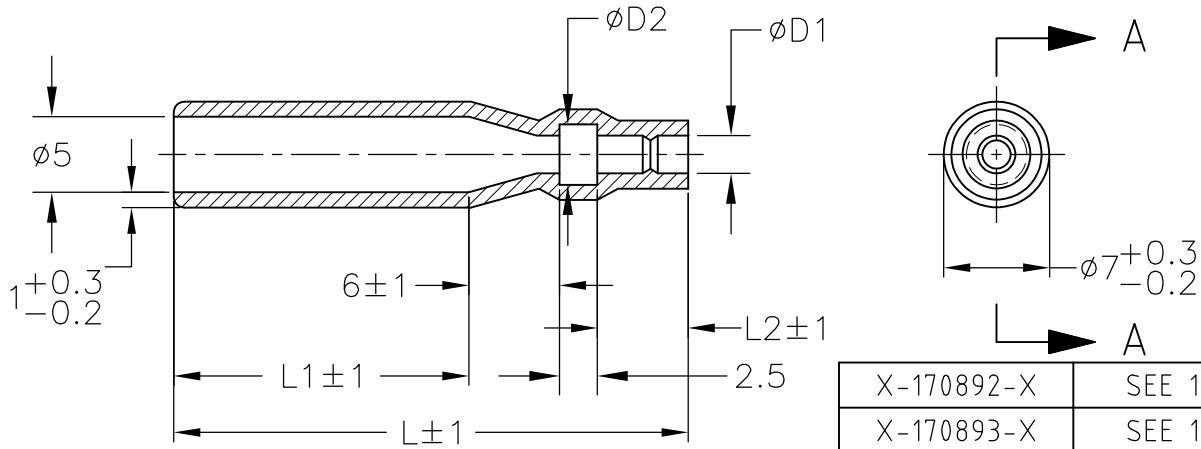


LOC	DIST	REVISIONS 変更			DATE	DWN	APVD
—	—	P	LTR	DESCRIPTION	07APR11	RK	HMR
			B2	REVISED PER ECO-11-005140			



A-A

X-170892-X	SEE 170892
X-170893-X	SEE 170893
X-170887-X	SEE 170887
X-170888-X	SEE 170888
X-170890-X	SEE 170890
X-170891-X	SEE 170891
X-170823-X	SEE 170823
PART NO	REMARK

- 1. 材質：SS-108（一般）
- 2. 一般公差：±0.5
- 3. 適用製品規格は無し

△ 品川商工発行のカタログと本図で寸法が異なる場合は本図を優先する。

- 1. MATERIAL:SS-108(GENERAL)
- 2. GENERAL TOLERANCE: ±0.5
- 3. APPLICABLE PRODUCT SPEC NOT AVAILABLE

△ IN THE EVENT OF CONFLICT BETWEEN THE REQUIREMENTS OF THIS CUSTOMER DRAWING AND THE SHINAGAWA SHOKO CO LTD CATALOG THIS CUSTOMER DRAWING SHALL TAKE PRECEDENCE

CLEAR	26	2	15.5	4	2	215020	170889-4
	34	6	19.5		3.5	215035	170889-3
				4.5	3.2	215032	170889-2
				4	2.5	215025	170889-1
COLOR	L	L2	L1	φ d2	φ d1	△ SHINAGAWA SHOKO PN	PART NO

THIS DRAWING IS UNPUBLISHED.


ALL RIGHTS RESERVED.

By -

© COPYRIGHT

DIMENSIONS: 単位： 耗 mm	
TOLERANCES UNLESS OTHERWISE SPECIFIED: 一般公差	
0 PLC	± -
1 PLC	± -
2 PLC	± -
3 PLC	± -
4 PLC	± -
ANGLES	± -

DWN	31 AUG 00	A.YAMAGUCHI
CHK	31 AUG 00	D.MATSUURA
APVD	31 AUG 00	K.BETSUI
PRODUCT SPEC	製品規格	
APPLICATION SPEC	取付適用規格	
WEIGHT	—	

WIRE RANGE 抱合電線断面積		INSULATION DIA 被覆外径	
—		—	
MATERIAL 材料		FINISH 仕上	
—		—	
 TE Connectivity			
CONNECT SLEEVE FOR 5DIA SERIES SHUR PLUG RECEPTACLE			
NAME 名称	SIZE	CAGE CODE	DRAWING NO 番号
—		A4	00779
RESTRICTED TO		DRAWING NO 番号	
—		C-170889	
CUSTOMER DRAWING		SCALE 尺度	SHEET
—		2:1	1 OF 1
REV		B2	