

4

3

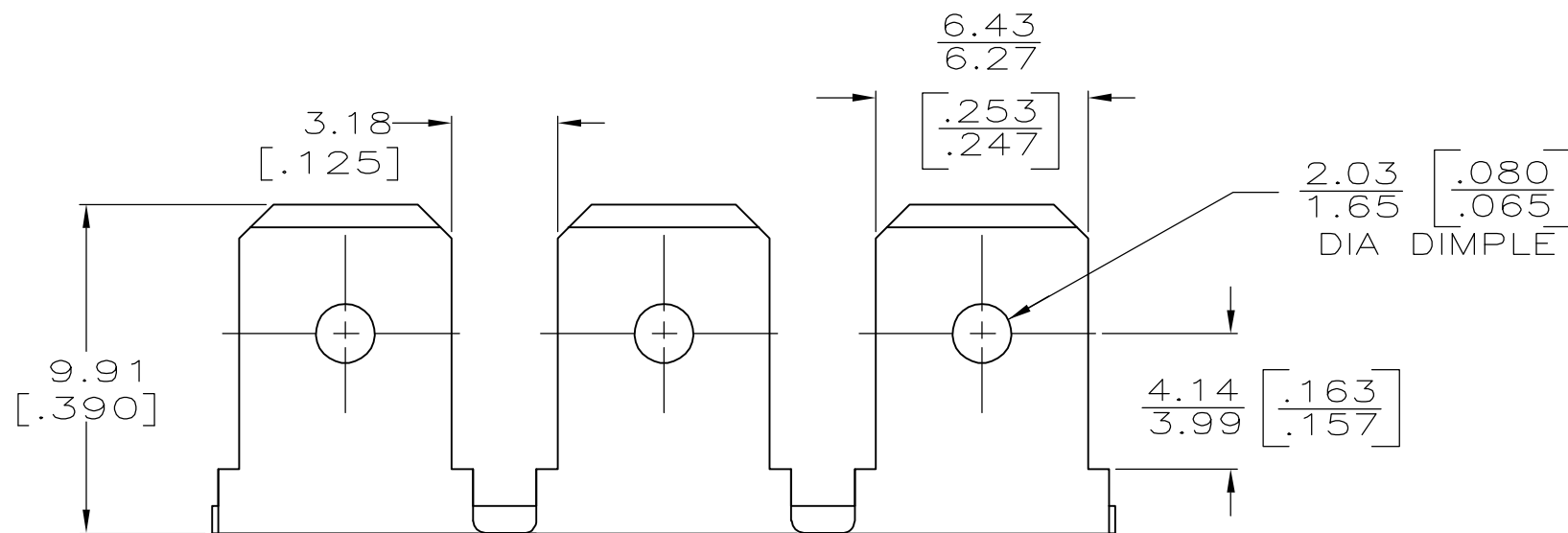
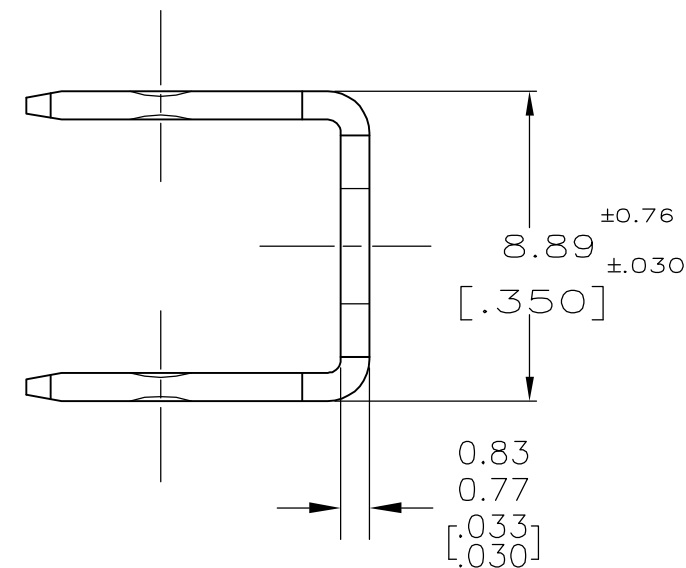
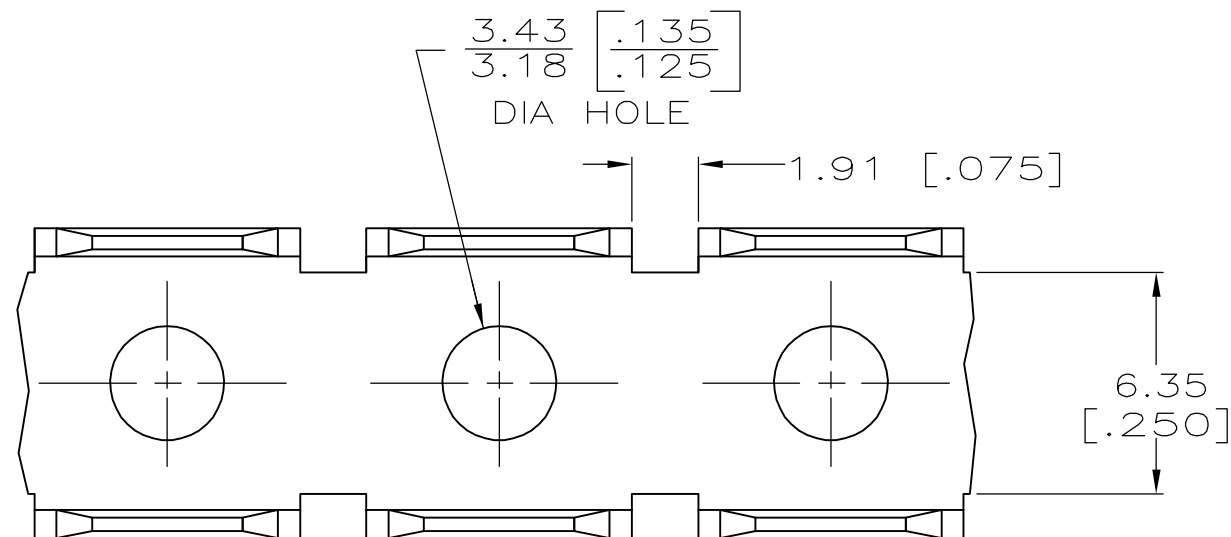
2

1

THIS DRAWING IS UNPUBLISHED. RELEASED FOR PUBLICATION  
 © COPYRIGHT BY TYCO ELECTRONICS CORPORATION. ALL RIGHTS RESERVED.

LOC	DIST	REVISIONS					
AF	50	P	LTR	DESCRIPTION	DATE	DWN	APVD
			AM	REV PER ECR-05-017287	06APR06	HMR	JR

1 CONTINUOUS STRIP ON REELS.



-	42115-6
TIN	42115-4
FINISH	PART NO

THIS DRAWING IS A CONTROLLED DOCUMENT.		DWN	JR RUTH	12/2/91		Tyco Electronics Corporation Harrisburg, PA 17105-3608					
DIMENSIONS: mm [INCHES]		CHK	MS FEHER	12/2/91		NAME	TAB, FASTON, 6.35 [.250] SERIES				
		APVD	MEYERS	12/2/91			PRODUCT SPEC	-			
TOLERANCES UNLESS OTHERWISE SPECIFIED:		APPLICATION SPEC		-		SIZE	CAGE CODE	DRAWING NO	RESTRICTED TO		
0 PLC ± - 1 PLC ± - 2 PLC ± - 3 PLC ± 0.38 [.015] 4 PLC ± - ANGLES ± -		WEIGHT		-		A3	00779	C=42115	-		
MATERIAL 082 BRASS		FINISH SEE TABLE		CUSTOMER DRAWING		SCALE	5:1	SHEET	1 OF 1	REV	AM