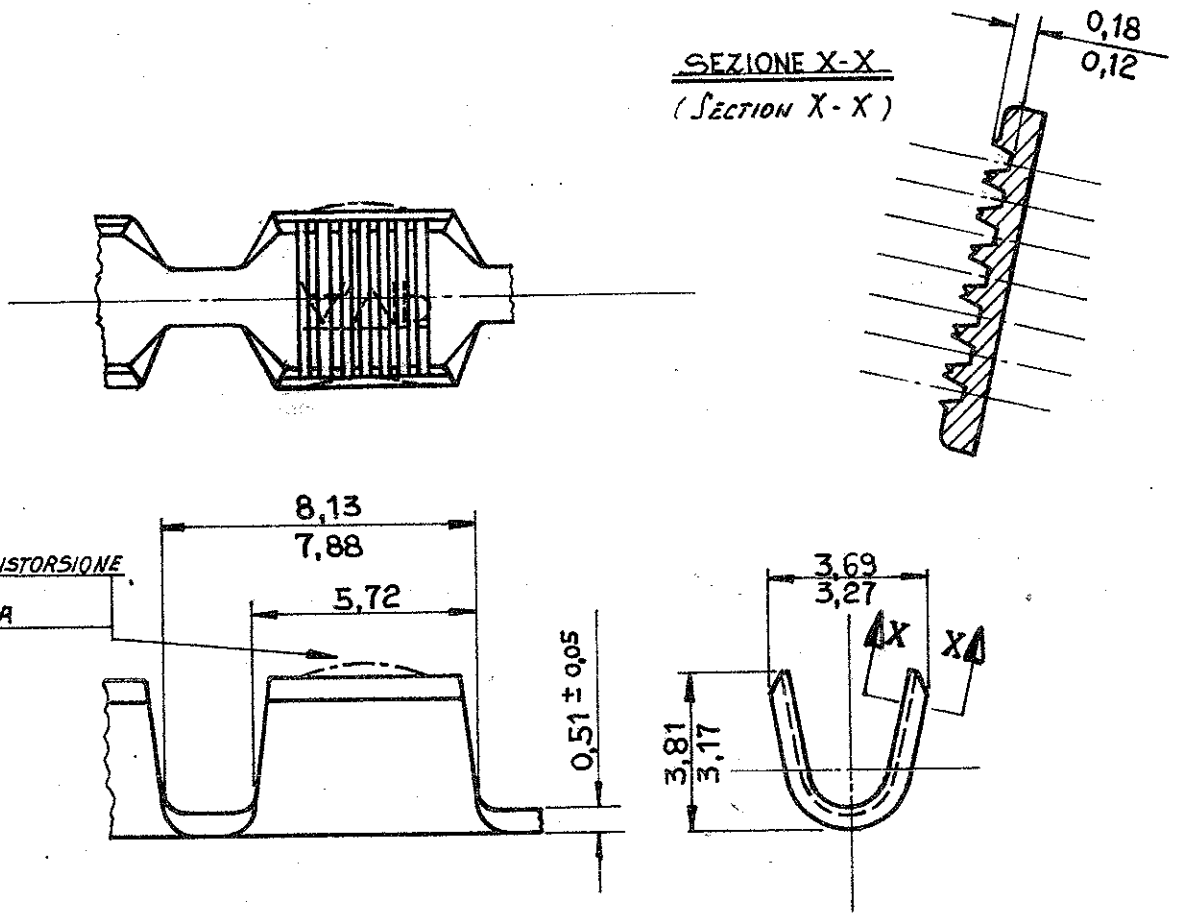


NUMBER
C- 280005



---	---	---
STAGNATO (TIN PLATED)	OTTONE (BRASS)	280005-2
---	OTTONE (BRASS)	280005-1
FINITURA (FINISH)	MATERIALE (MATERIAL)	AMP P.N.

DIMENSIONS IN MM DO NOT SCALE PRINT

PRINT DIST

R	REVISED	ET00-0359-98	G.E.	C.T.	3-2-99
B	RIDISEGNATO E AGGIORNATO				
LTR	REVISION RECORD	DR	CHK	DATE	
DE	Dat Bell. 8-9-77		DE		
CHK			APP		

© 1968 BY AMP INCORPORATED. ALL RIGHTS RESERVED. AMP PRODUCTS COVERED BY PATENTS AND/OR PATENTS PENDING.

MATERIAL AND FINISH:
VEDI TABELLA (SEE TABLE)

CUSTOMER COPY REFERENCE ONLY

AMP
AMP ITALIA
VIA CERVI 15
COLLEGNO (TORINO)

CLASS: **AMPLIVAR**

TYPE: **AUTOMATIC**

WIRE RANGE: 3000 - 6000
INSULATION: **CMA**

TOLERANCE EXCEPT AS NOTED: ± 0.4 1° 0'

SCALE: I

LOC: **I**

NO: **A-C-280005**

REV: **R**

AMPLIVAR SPLICE