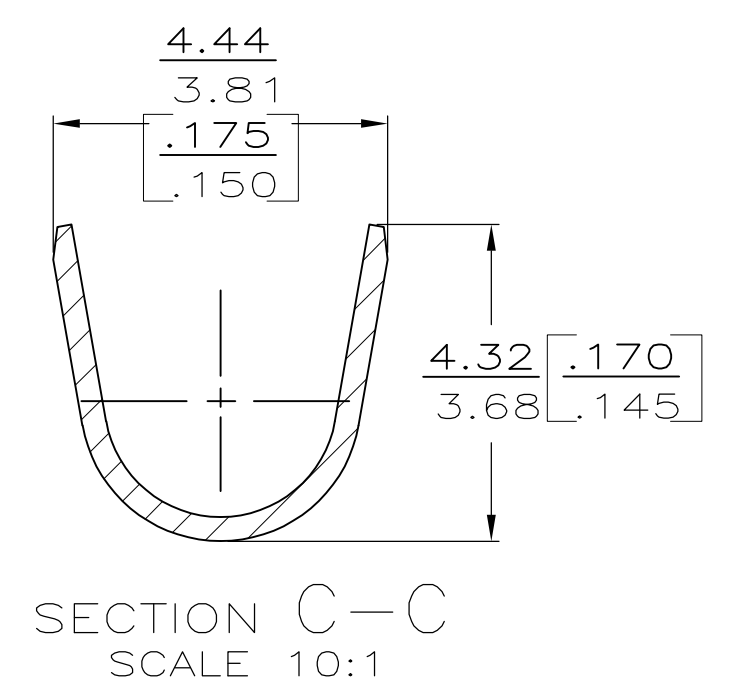
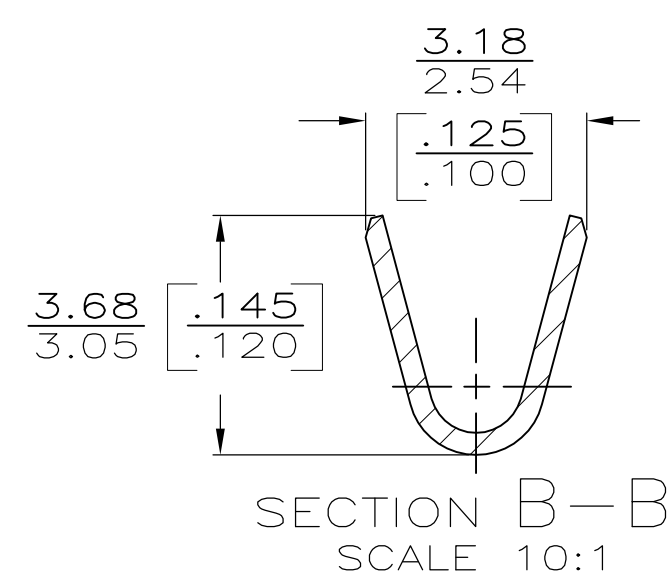
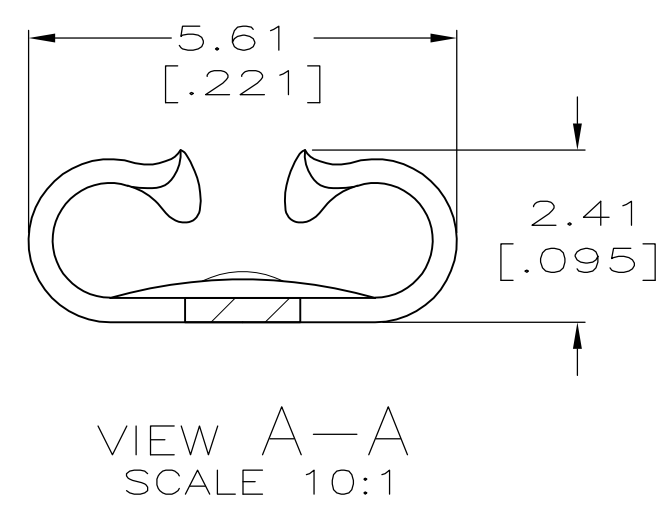
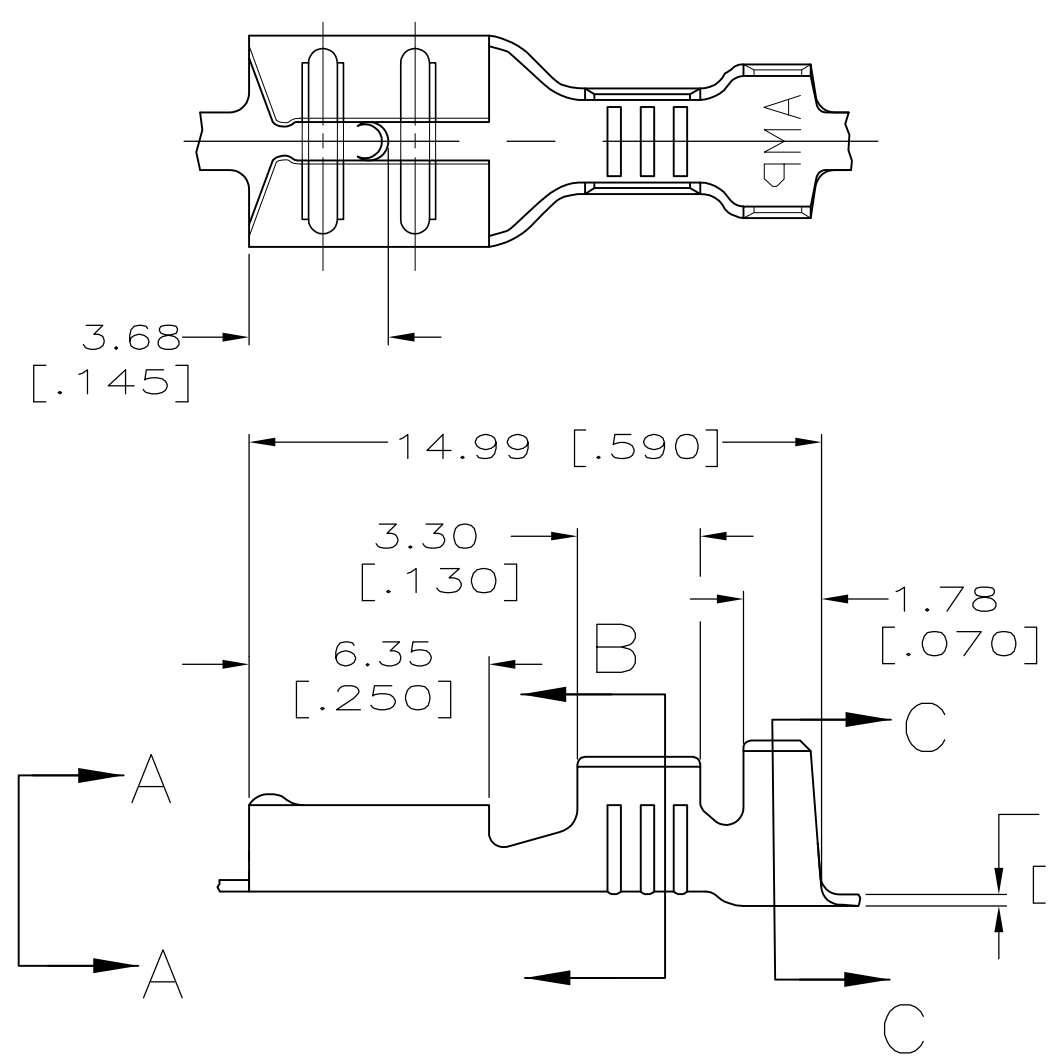


THIS DRAWING IS UNPUBLISHED. RELEASED FOR PUBLICATION
 © COPYRIGHT - By - ALL RIGHTS RESERVED.

LOC	DIST	REVISIONS			
P	LTR	DESCRIPTION	DATE	DWN	APVD
AF	50	P1	REVISED PER ECO-11-004820	11MAR11	RK HMR

- CONTINUOUS STRIP ON REELS.
- MATING TAB THK IS 0.81 ± 0.025 $[\.032 \pm .001]$.
- WIRE SIZE IS [20-16] AWG.
- INSULATION RANGE IS 2.29-3.30 $[\.090-.130]$ DIA.



60196-3	0.002032 [.000080] MIN TIN	60196-2
-	-	60196-1
LOOSE PIECE	FINISH	PART NO

THIS DRAWING IS A CONTROLLED DOCUMENT.		DWN JR RUTH 8/27/91	STE TE Connectivity	
DIMENSIONS: INCHES		CHK P FORTNEY 8/27/91		
TOLERANCES UNLESS OTHERWISE SPECIFIED:		APVD C MEYERS 8/27/91	NAME RECEPTACLE, FASTON, 4.75 [.187] SERIES	
0 PLC ± - 1 PLC ± - 2 PLC ± 0.38 [.015] 3 PLC ± - 4 PLC ± - ANGLES ± -		PRODUCT SPEC -	RESTRICTED TO -	
MATERIAL NO 4H BRASS		FINISH SEE TABLE	APPLICATION SPEC -	SIZE A3
		WEIGHT -	CAGE CODE 00779	DRAWING NO C-60196
CUSTOMER DRAWING			SCALE 5:1	SHEET 1 OF 1
			REV P1	