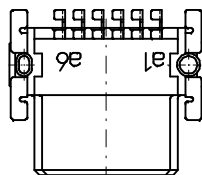
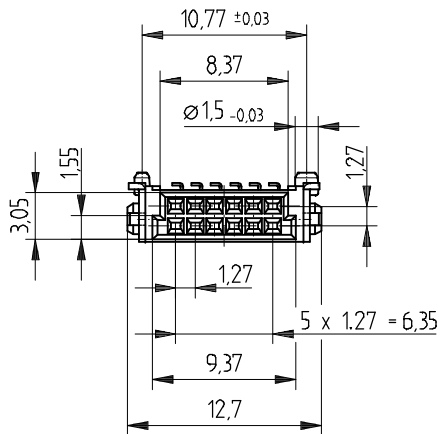
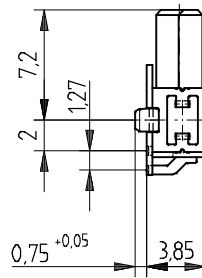
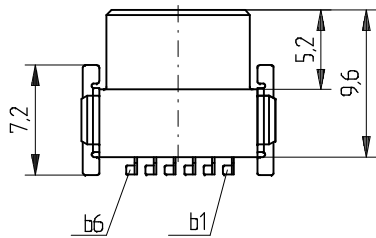
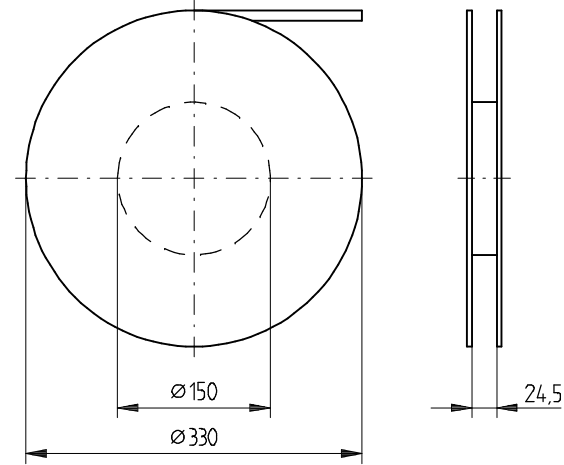


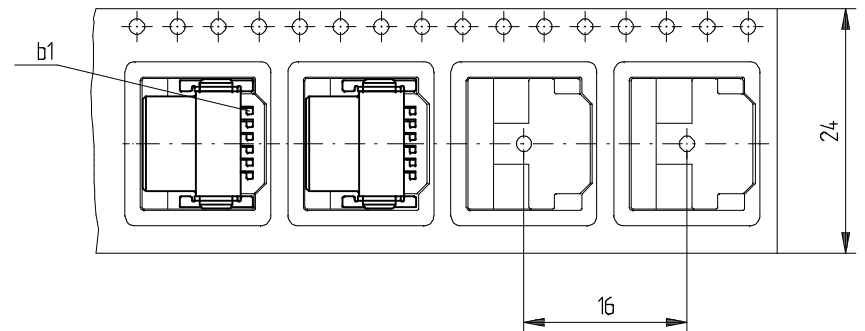
Leiterplatten-Layout Vorschlag für SMT  
PCB-Layout Proposal for SMT



Verpackt in Gurtverpackung - Tape on Reel Packaging  
Verpackungseinheit: 560 Stück - Packaging unit: 560 pcs



Abspulrichtung - Reel off Direction



Anforderungsstufe 1  
Performance Level 1  
Kontaktbereich vergoldet  
Mating Area gold plating  
Anschlussbereich verzinkt 4-6 µm  
Terminal Area 4-6 µm tin plating  
Kaplanarität der Anschlüsse ≤ 0.1mm  
Coplanarity Area of Termination ≤ 0.1 mm

BA7-03 - Standard Bauhöhe  
type7-03 - Standard Assembly Height

Information: All rights reserved. Only for information. To insure that this is the latest version of this drawing, please contact one of the ERNI companies before using.	Tolerances	All Dimensions in mm	Scale 3:1
	Subject to modification without prior notice. Drawing will not be updated.		XXXXX Angaben zu entsprechender Ident-Nr. siehe Fertigungsunterlagen For further information about I.D. number see manufacturing document.
www.ERNI.com	Designation Federl. SMC-Q 12-SMD-BA7-03 Female SMC-Q 12-SMD-type7-03	154740	
	Index	Date	V:00039947.S2N SMCQ

Consider protection memo from DIN 34