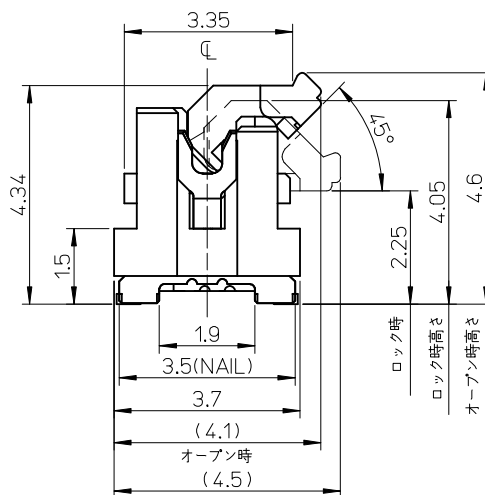


断面図 (参考)



注記 NOTES

- 使用材料 MATERIAL  
 ハウジング : 液晶ポリマー ガラス充填, UL94V-0(白)  
 HOUSING : LIQUID CRYSTAL POLYMER GLASS FILLED, UL94V-0 (WHITE)  
 アクチュエータ : ポリアミド 9T, ガラス充填, UL94V-0(茶)  
 ACTUATOR : POLYAMIDE 9T, GLASS FILLED, UL94V-0 (BROWN)  
 ターミナル : 銅合金(t=0.15)  
 TERMINAL : COPPER ALLOY  
 金具 : 銅合金(t=0.2)  
 FITTING NAIL : COPPER ALLOY
  - めっき仕様 PLATING  
 ターミナル TERMINAL  
 ニッケル下地銅ビスマスめっき  
 銅ビスマスめっき(1.0μm以上)  
 ニッケルめっき(1.0μm以上)  
 TIN BISMUTH(SnBi) OVER NICKEL(Ni) PLATING,  
 TIN BISMUTH(SnBi) PLATING (1.0 MICROMETER MINIMUM)  
 NICKEL PLATING (1.0 MICROMETER MINIMUM)  
 金具 FITTING NAIL  
 ニッケル下地銅めっき  
 銅めっき(1.0μm以上)  
 ニッケルめっき(1.0μm以上)  
 TIN(Sn) OVER NICKEL(Ni) PLATING,  
 TIN PLATING (1.0 MICROMETER MINIMUM)  
 NICKEL PLATING (1.0 MICROMETER MINIMUM)
  - テールと金具を併せた平坦度は 0.1ミリメートル以下  
 TAILS AND NAILS COPLANARITY TO BE 0.1 MAX.
  - ELV及びRoHS適合品  
 ELV AND RoHS COMPLIANT
- △ R0.3は、FPC導体部にかからないこと。  
 R0.3 MUST NOT BE OVERLAPPED TO PATTERN OF FPC.

8	30.7	32.1	32.4	29.5	32.8	501951-6009	60
	25.7	27.1	27.4	24.5	27.8	501951-5009	50
	23.2	24.6	24.9	22	25.3	501951-4509	45
	20.7	22.1	22.4	19.5	22.8	501951-4009	40
	16.7	18.1	18.4	15.5	18.8	501951-3209	32
	15.7	17.1	17.4	14.5	17.8	501951-3009	30
	12.7	14.1	14.4	11.5	14.8	501951-2409	24
	11.7	13.1	13.4	10.5	13.8	501951-2209	22
F	E	D	C	B	A	MATERIAL NO.	CIRCUITS

REVISED EC NO: J2015-0506 DRW: N. SANUMA 2014/10/24 CHKD: K. TAKAHASHI 2014/11/10 APPR: Y. NOGAWA 2014/11/13	DESCRIPTION GENERAL TOLERANCES (UNLESS SPECIFIED)	10 UNDER	± 0.2	DIMENSION STYLE MM ONLY	SCALE 10:1	DESIGN UNITS METRIC	THIRD ANGLE PROJECTION
		10 OVER 30 UNDER	± 0.25				
		30 OVER	± 0.3				
		ANGULAR	± 1 °				
REV C	DESCRIPTION DRAFT WHERE APPLICABLE MUST REMAIN WITHIN DIMENSIONS	DRAWN BY TRSUZUKI		DATE 2005/12/05	TITLE 0.5 FPC CONN. HSG ASSY EASY ON / STRAIGHT (TIN-BISMUTH) <b>molex</b>		
		CHECKED BY HHIRATA		DATE 2005/12/05			
		APPROVED BY MSASAO		DATE 2005/12/05			
MATERIAL NO. SEE CHART		DOCUMENT NO. SD-501951-001		SHEET NO. 1 OF 2			
SIZE A3		THIS DRAWING CONTAINS INFORMATION THAT IS PROPRIETARY TO MOLEX INCORPORATED AND SHOULD NOT BE USED WITHOUT WRITTEN PERMISSION					

10 9 8 7 6 5 4 3 2 1

F

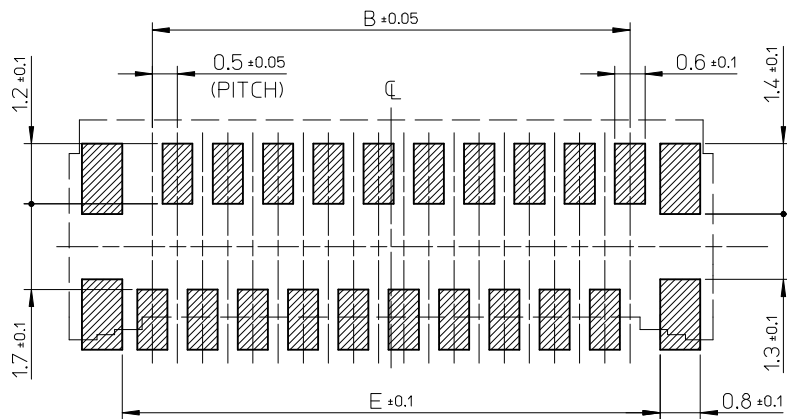
E

D

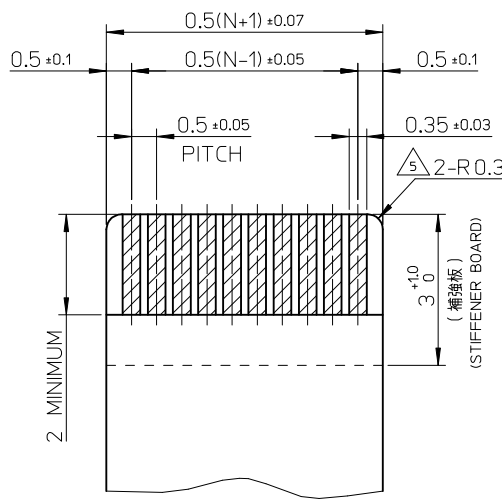
C

B

A

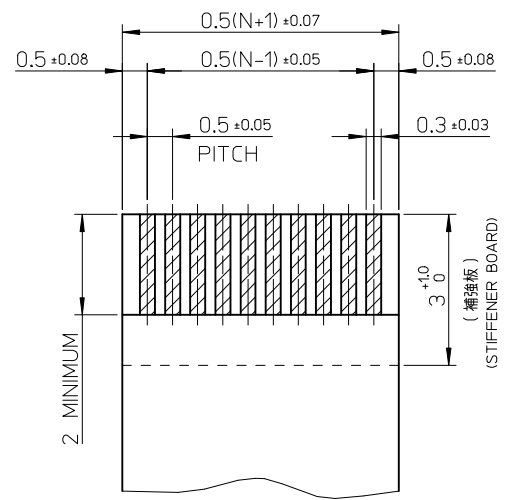


参考基板レイアウト (マウント面)  
P.C.BOARD PATTERN DIMENSION(REF.)  
(MOUNT AREA)



適合FPC推奨寸法  
APPLICABLE FPC  
RECOMMENDED DIMENSION  
(仕上がり厚さ: 0.3 ± 0.03)  
(THICKNESS: 0.3 ± 0.03)

N:極数  
N:CIRCUITS



適合FFC推奨寸法  
APPLICABLE FFC  
RECOMMENDED DIMENSION  
(仕上がり厚さ: 0.3 ± 0.03)  
(THICKNESS: 0.3 ± 0.03)

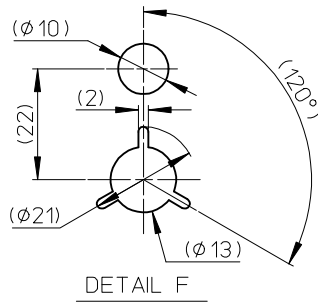
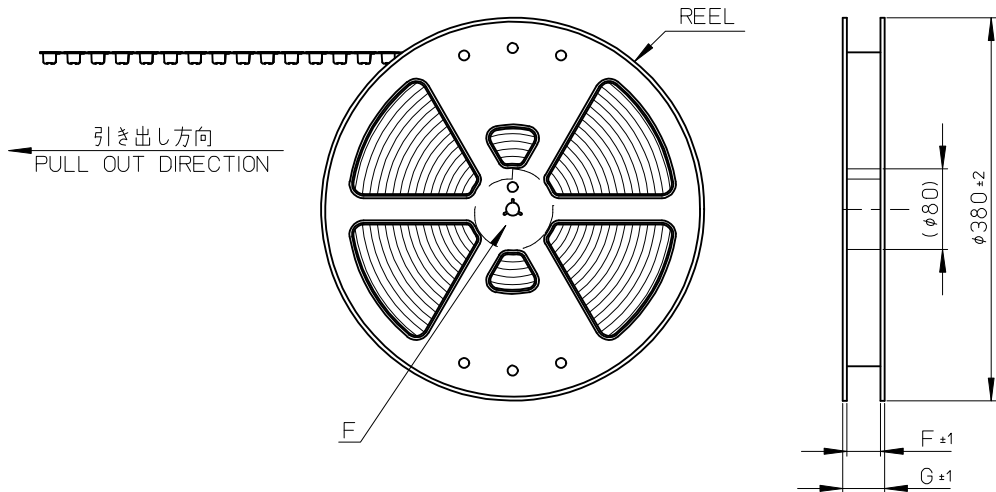
N:極数  
N:CIRCUITS

FPCについて:  
打抜き方向は導体側から補強板側を推奨致します。  
補強フィルム材質はポリイミドを推奨致します。  
接着剤は熱硬化接着剤を推奨致します。

ABOUT FPC:  
RECOMMENDED PUNCHER DIRECTION:  
FROM CONDUCTOR SIDE TO STIFFENER BOARD SIDE.  
RECOMMENDED MATERIAL:  
STIFFENER FILM:POLYIMIDE  
BONDING AGENT:THERMOSETTING BONDING AGENT

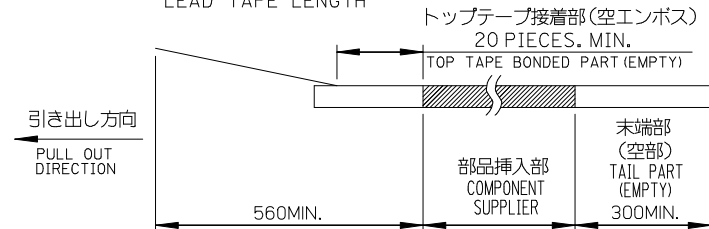
SEE SHEET 1 OF 2 EC NO: J2015-0506 DRAWN: DRMN/SANUMA 2014/10/21 CHECKED: CHKD/KTAKAHASHI 2014/11/10 APPROVED: YNDGAWA 2014/11/13	GENERAL TOLERANCES (UNLESS SPECIFIED)		DIMENSION STYLE MM ONLY		SCALE 10:1	DESIGN UNITS METRIC	THIRD ANGLE PROJECTION
	10 UNDER	± 0.2	DRAWN BY TRSUZUKI	DATE 2005/12/05	TITLE 0.5 FPC CONN. HSG ASSY EASY ON / STRAIGHT (TIN-BISMUTH) <b>molex</b> DOCUMENT NO. SD-501951-001 SHEET NO. 2 OF 2		
	10 OVER 30 UNDER	± 0.25	CHECKED BY HIRATA	DATE 2005/12/05			
	30 OVER	± 0.3	APPROVED BY MSASAO	DATE 2005/12/05			
ANGULAR	± 1 °	MATERIAL NO. SEE SHEET 1 OF 2	DOCUMENT NO. SD-501951-001				
	DRAFT WHERE APPLICABLE MUST REMAIN WITHIN DIMENSIONS		SIZE A3	THIS DRAWING CONTAINS INFORMATION THAT IS PROPRIETARY TO MOLEX INCORPORATED AND SHOULD NOT BE USED WITHOUT WRITTEN PERMISSION			

9 8 7 6 5 4 3 2



NOTES

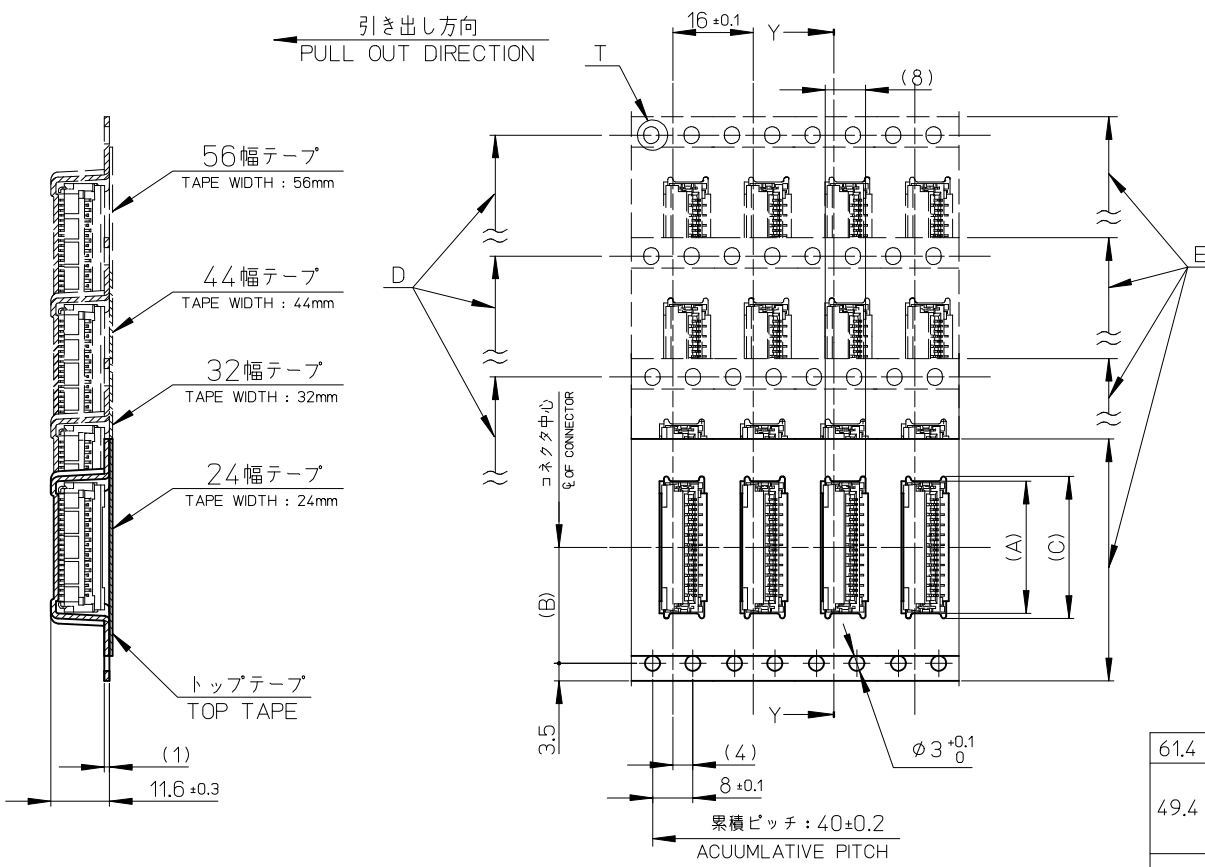
- 製品詳細寸法については SD-501951-001 を参照ください。  
RE DETAILED DIMENSION, SEE SD-501951-001
- 梱包数量：2000 個/リール  
NUMBER OF CONNECTORS : 2000 PIECES/REEL
- リードテープ長さ  
LEAD TAPE LENGTH



- 材料  
MATERIAL  
キャリアテープ：ポリプロピレン (PP)  
CARRIER TAPE: POLYPROPYLENE (PP)  
トップテープ：PET, PE, REF  
TOP TAPE  
リール：ポリスチレン (リサイクル材を含む)  
REEL : POLYSTYRENE (RECYCLE MATERIAL CONTAINED)

- ELV 及び RoHS 適合品  
ELV AND RoHS COMPLIANT.

REVISED EC NO: J2015-0506 DRWN: SANUMA 2014/10/21 CHKD: TAKAHASHI 2014/11/10 APPR: YNOGAWA 2014/11/13	GENERAL TOLERANCES (UNLESS SPECIFIED)		DIMENSION STYLE MM ONLY	SCALE ---	DESIGN UNITS METRIC	THIRD ANGLE PROJECTION
	10 UNDER	$\pm 0.2$	DRAWN BY TRSUZUKI	DATE 2005/12/05	TITLE 0.5 FPC CONN. HSG ASSY E/O STRAIGHT EMBSTP PKG (TIN-BISMUTH)	
	10 OVER 30 UNDER	$\pm 0.25$	CHECKED BY HHRATA	DATE 2005/12/05		
	30 OVER	$\pm 0.3$	APPROVED BY MSASAO	DATE 2005/12/05		
ANGULAR	$\pm 1^\circ$	MATERIAL NO. SEE SHEET 2 OF 2	DOCUMENT NO. SD-501951-002		SHEET NO. 1 OF 2	
DRAFT WHERE APPLICABLE MUST REMAIN WITHIN DIMENSIONS		SIZE A3	THIS DRAWING CONTAINS INFORMATION THAT IS PROPRIETARY TO MOLEX INCORPORATED AND SHOULD NOT BE USED WITHOUT WRITTEN PERMISSION			



断面 Y-Y  
SECTION Y-Y

61.4	57.4	56±0.3	52.4	34.1	26.2	33.1	501951-6000	60
				29.1		28.1	501951-5000	50
49.4	45.4	44±0.3	40.4	26.6	20.2	25.6	501951-4500	45
				24.1		23.1	501951-4000	40
				20.1		19.1	501951-3200	32
37.4	33.4	32±0.3	28.4	19.1	14.2	18.1	501951-3000	30
				16.1		15.1	501951-2400	24
29.4	25.4	24±0.3	≡	15.1	11.5	14.1	501951-2200	22
G	F	E キャリアテープ幅 CARRIER TAPE WIDTH	D	(C)	(B)	(A)	製品番号 MATERIAL NO.	極数 CIRCUITS

SEE SHEET 1 OF 2 EC NO: J2015-0506 DRWN: SANUMA 2014/10/21 CHKD: TAKAHASHI 2014/11/10 APPR: YNOGAWA 2014/11/13	GENERAL TOLERANCES (UNLESS SPECIFIED)		DIMENSION STYLE MM ONLY		SCALE ---	DESIGN UNITS METRIC	THIRD ANGLE PROJECTION	
	10 UNDER	±0.2	DRAWN BY TRSUZUKI	DATE 2005/12/05	TITLE 0.5 FPC CONN. HSG ASSY E/O STRAIGHT EMBSTP PKG (TIN-BISMUTH)			
	10 OVER 30 UNDER	±0.25	CHECKED BY HHRATA	DATE 2005/12/05	<b>molex</b>			
	30 OVER	±0.3	APPROVED BY MSASAO	DATE 2005/12/05				
ANGULAR ±1 °		MATERIAL NO.		DOCUMENT NO.		SHEET NO.		
DRAFT WHERE APPLICABLE MUST REMAIN WITHIN DIMENSIONS		SEE CHART		SD-501951-002		2 OF 2		
		THIS DRAWING CONTAINS INFORMATION THAT IS PROPRIETARY TO MOLEX INCORPORATED AND SHOULD NOT BE USED WITHOUT WRITTEN PERMISSION						