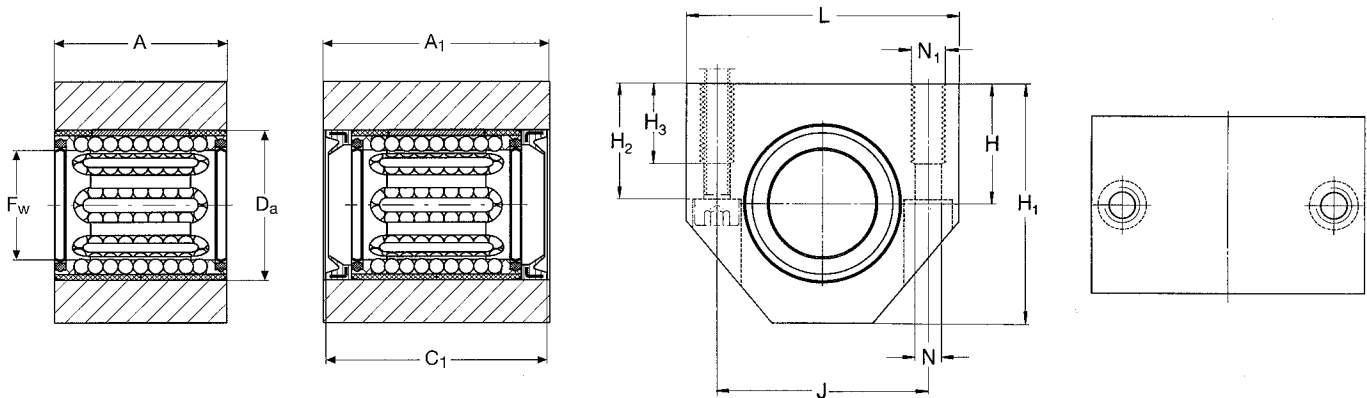


**LUHR and LUJR linear bearing units**  
with closed housing and LBBR linear ball bearings  
F<sub>w</sub> 12-50 mm



LUHR linear bearing unit  
with integral double  
lip seal

LUJR linear bearing unit  
with shaft seals

Dimensions														Basic load ratings		Mass		Designations		
F <sub>w</sub>	A	A <sub>1</sub>	C <sub>1</sub>	D <sub>a</sub>	H	H <sub>1</sub>	H <sub>2</sub>	H <sub>3</sub>	L	J	N <sup>2)</sup>	N <sub>1</sub> <sup>2)</sup>	dyn. C	stat. C <sub>0</sub>	Design LUHR	Design LUJR	Linear bearing unit <sup>1)</sup>			
mm														—	N	kg		without seal	with double lip seals	with shaft seal
12	28	35	34	19	17	33	16	11	40	29	4,3	M 5	680	510	0,08	0,10	<b>LUHR 12</b>	<b>LUHR 12-2LS</b>	<b>LUJR 12</b>	
16	30	37	36	24	19	38	18	11	45	34	4,3	M 5	900	620	0,10	0,12	<b>LUHR 16</b>	<b>LUHR 16-2LS</b>	<b>LUJR 16</b>	
20	30	39	38	28	23	45	22	13	53	40	5,3	M 6	1 120	780	0,14	0,18	<b>LUHR 20</b>	<b>LUHR 20-2LS</b>	<b>LUJR 20</b>	
25	40	49	48	35	27	54	26	18	62	48	6,6	M 8	2 000	1 370	0,25	0,30	<b>LUHR 25</b>	<b>LUHR 25-2LS</b>	<b>LUJR 25</b>	
30	50	59	58	40	30	60	29	18	67	53	6,6	M 8	3 250	2 650	0,37	0,44	<b>LUHR 30</b>	<b>LUHR 30-2LS</b>	<b>LUJR 30</b>	
40	60	71	70	52	39	76	38	22	87	69	8,4	M 10	5 300	4 400	0,74	0,86	<b>LUHR 40</b>	<b>LUHR 40-2LS</b>	<b>LUJR 40</b>	
50	70	81	80	62	47	92	46	26	103	82	10,5	M 12	6 800	6 300	1,19	1,37	<b>LUHR 50</b>	<b>LUHR 50-2LS</b>	<b>LUJR 50</b>	

The previous linear bearing units LUBR and LUER are no longer shown in the catalogue, but are still available on request. For suitable shaft blocks for these bearing units, designation LSHS, see page 40 of this catalogue.

<sup>1)</sup> Linear bearing units of the LUHR design are also available fitted with LPBR linear plain bearings.  
Designations: e. g. LUHR 20 PB.

<sup>2)</sup> For screws with internal hexagon to DIN 912/ISO 4762.