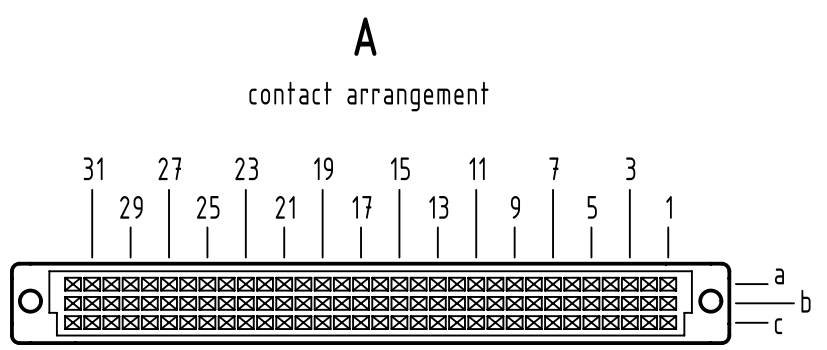
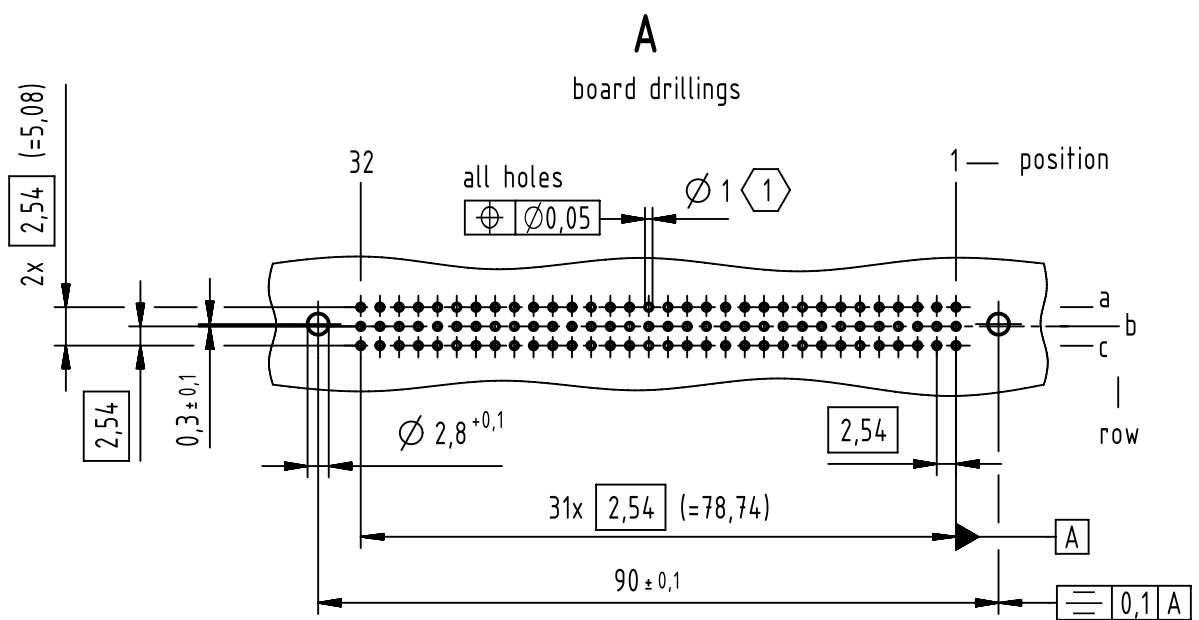


1 2 3 4 5 6 7 8

A
B
C
D
E
F

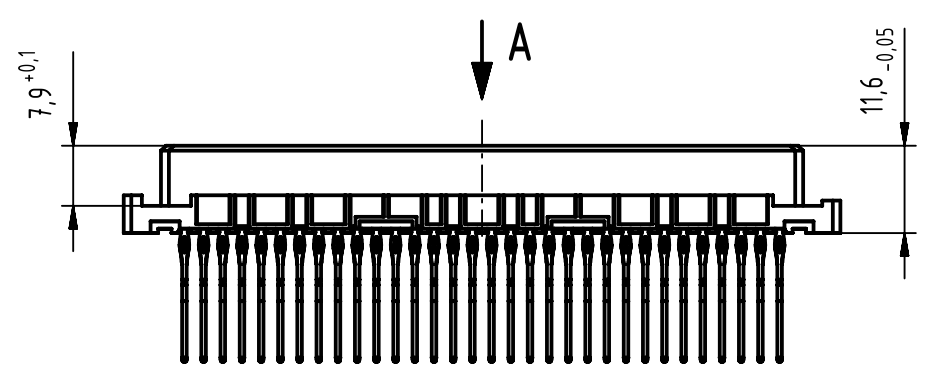
A
B
C
D
E
F



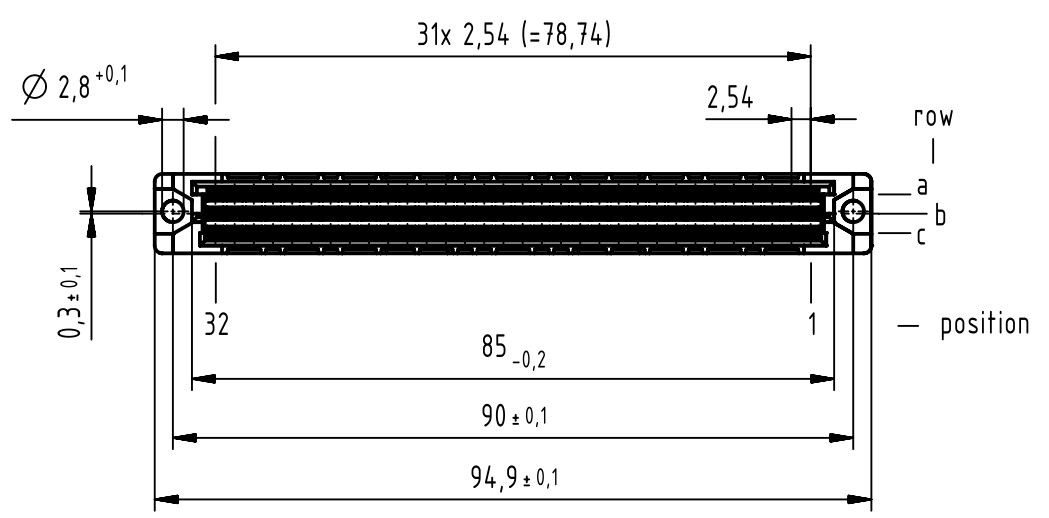
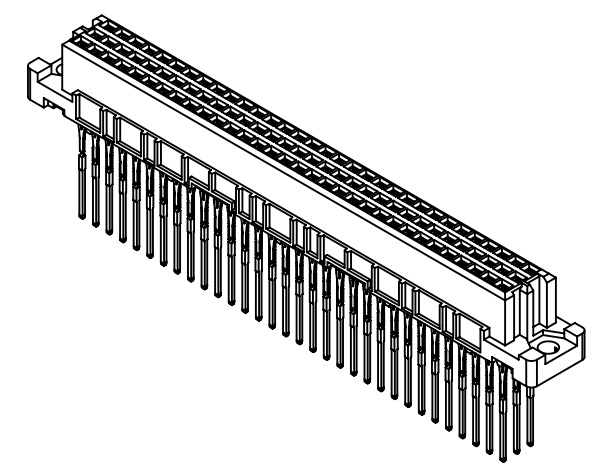
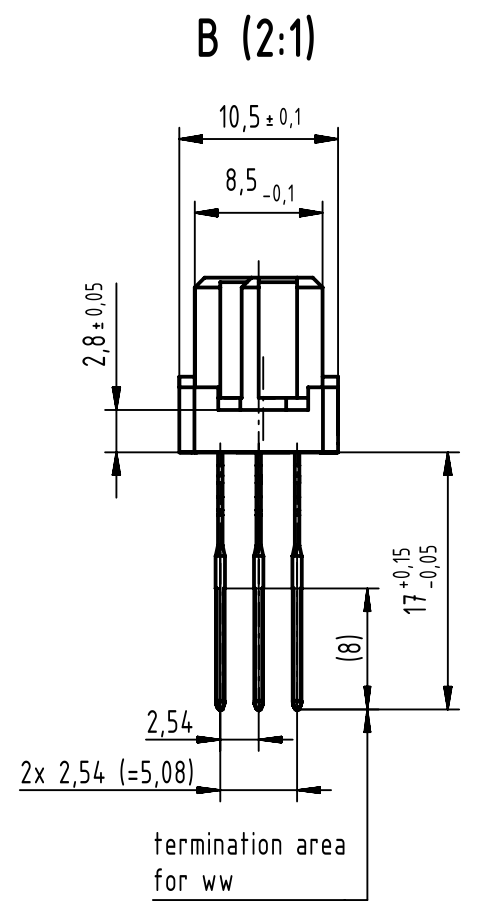
96 press-in contacts

☒ = position with contact

☐ = position without contact



B



(1) recommended configuration of plated through holes and further information see: DS 09032100001

09 03 296 6852	2
09 03 296 2852	1
part-no	performance level (1)

	All Dimensions in mm Original Size DIN A3	Scale 1:1	Free size tol. IEC 60603-2	Ref. Sub. TB 0903296X852 / 50000057951 / 2013-01-15	
	All rights reserved Department EC PD - DE	Created by ZWAHR	Inspected by LEHNERT	Standardisation HOFFMANN	Date 2014-12-11
HARTING Electronics GmbH D-32339 Espelkamp		Title DIN Signal type C female press-in 17.0 96-pole			Doc-Key / ECM-Nr. 100072194/UGD/079/C 50000082367
		Type TB	Number 0903296X852		Rev. C Page 1/1

1 2 3 4 5 6 7 8