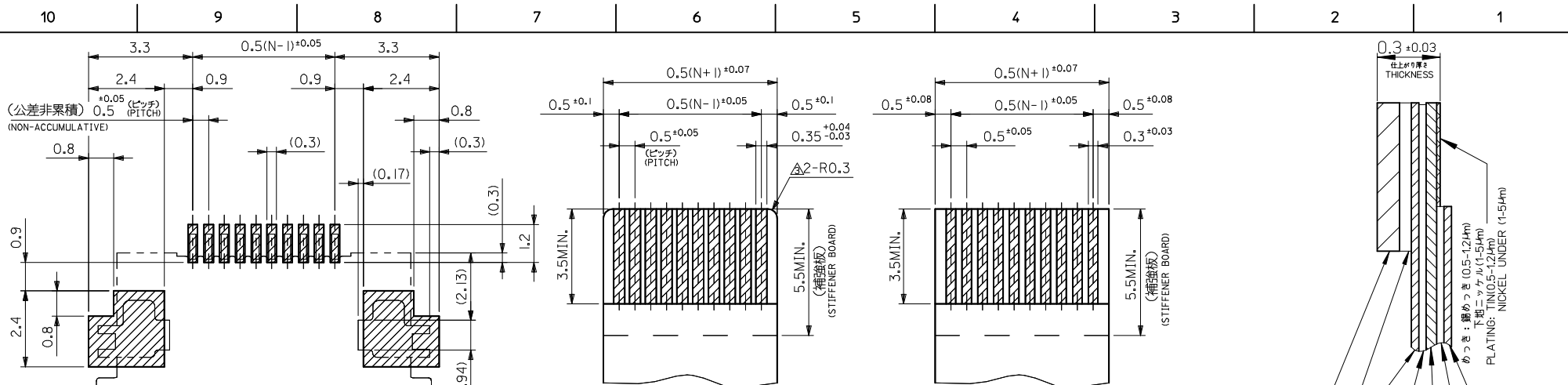


30.5	29.3	25.65	24.5	54104-5033	50
28.5	27.3	23.65	22.5	54104-4633	46
28.0	26.8	23.15	22.0	54104-4533	45
25.5	24.3	20.65	19.5	54104-4033	40
24.5	23.3	19.65	18.5	54104-3833	38
23.5	22.3	18.65	17.5	54104-3633	36
23.0	21.8	18.15	17.0	54104-3533	35
22.5	21.3	17.65	16.5	54104-3433	34
22.0	20.8	17.15	16.0	54104-3333	33
21.5	20.3	16.65	15.5	54104-3233	32
20.5	19.3	15.65	14.5	54104-3033	30
D	C	B	A	オーダー番号 ORDER NO.	CKT.

CONNECTOR SERIES NO. 54104-\*\*22

REVISED EC NO: J2014-1557 DRW: AISHII 2014/04/15 CHK: KTAKAHASHI 2014/04/15 APPR: YNOGAWA 2014/04/17	GENERAL TOLERANCES (UNLESS SPECIFIED)		DIMENSION STYLE	SCALE	DESIGN UNITS	THIRD ANGLE PROJECTION
			MM ONLY	---	METRIC	
	DESCRIPTION	10 UNDER	±0.2	DRAWN BY	DATE	TITLE
	REV	10 OVER 30 UNDER	±0.25	KNAGUMO	2012/09/03	0.5MM FPC CONN ZIF R/A HOUSING ASSY (UPPER CONTACT) <b>molex</b> SD-54104-083
	30 OVER	±0.3	CHECKED BY	DATE		
	ANGULAR ±---°		KTAKAHASHI	2012/09/06		
	DRAFT WHERE APPLICABLE MUST REMAIN WITHIN DIMENSIONS		APPROVED BY	DATE		
			KMORIKAWA	2013/03/15	DOCUMENT NO.	SHEET NO.
			MATERIAL NO.	SEE CHART	SD-54104-083	1 OF 2
			SIZE	THIS DRAWING CONTAINS INFORMATION THAT IS PROPRIETARY TO MOLEX INCORPORATED AND SHOULD NOT BE USED WITHOUT WRITTEN PERMISSION		
			A3			



推奨基板レイアウト  
RECOMMENDED P.C.BOARD  
PATTERN DIMENSION (REF.)  
(マウント面)  
(MOUNTING SIDE)  
マスク厚 : 100 μm  
マスク開口率 : 100%  
SCREEN THICKNESS : 100 MICROMETER  
SCREEN OPEN RATIO : 100%

適合FPC推奨寸法  
APPLICABLE FPC  
RECOMMENDED DIMENSION  
(仕上がり厚さ : 0.3 ± 0.03)  
(THICKNESS : 0.3 ± 0.03)

適合FFC推奨寸法  
APPLICABLE FFC  
RECOMMENDED DIMENSION  
(仕上がり厚さ : 0.3 ± 0.03)  
(THICKNESS : 0.3 ± 0.03)

構造板・ポリイミド  
REINFORCE BOARD: POLYIMIDE  
熱硬化接着剤  
THERMOSETTING ADHESIVE  
ベースフィルム: ポリイミド(25μm)  
BASE FILM: POLYIMIDE(25μm)  
熱硬化接着剤  
THERMOSETTING ADHESIVE  
銅箔厚: 銅箔(35μm)  
COVER FILM: COPPER FOIL(35μm)  
熱硬化接着剤  
THERMOSETTING ADHESIVE  
カバレイ: ポリイミド(25μm)  
COVER FILM: POLYIMIDE(25μm)

FPC/FFCについて ABOUT FPC/FFC  
打ち抜き方向は導体側から補強板側を推奨します。  
導体部については銅箔厚35 μmまたは50 μmを推奨します。  
RECOMMENDED PUNCHING DIRECTION: FROM CONDUCTOR SIDE TO STIFFENER SIDE  
RECOMMENDED CONDUCTOR SPEC: SOFT COPPER FOIL  
RECOMMENDED CONDUCTOR THICKNESS: 35 MICROMETER OR 50 MICROMETER

FPCについて ABOUT FPC  
補強フィルム材質はポリイミドを推奨します。ベースフィルムは25 μmを推奨します。  
接着剤は熱硬化接着剤を推奨します。  
尚、接着剤の接点部への付着は導通不良の原因になりますので、染み出しが無い様、お願い致します。  
RECOMMENDED STIFFENER MATERIAL: POLYIMIDE  
RECOMMENDED BASE FILM THICKNESS: 25 MICROMETER  
RECOMMENDED ADHESIVE: THERMOSETTING ADHESIVE  
NOTE: PLEASE PUT APPROPRIATE AMOUNT OF ADHESIVE ON ADHEREND BECAUSE THERE IS A POSSIBILITY THAT THE EXTRA ADHESIVE CAUSES THE DEFECT IN ELECTRICAL CONTINUITY.

FPC構成推奨仕様  
STRUCTURE OF FPC

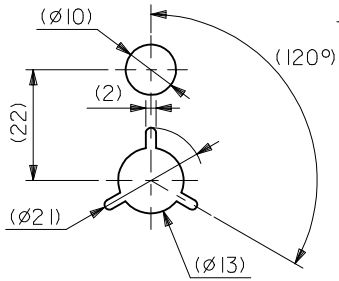
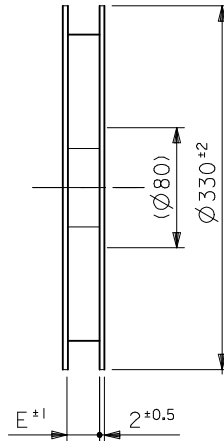
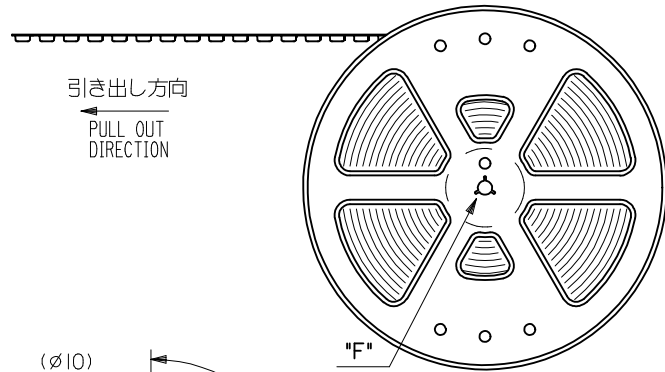
注記 NOTES

- 材質 MATERIAL  
ハウジング: ポリアミド (PPS)、ガラス充填、ナチュラル(白色)、UL94V-0  
HOUSING: POLYAMIDE, GLASS FILLED, NATURAL(WHITE), UL94V-0  
アクチュエータ: ポリフェニレンスルフィド、ガラス充填、ナチュラル(茶色)、UL94V-0  
ACTUATOR: POLYPHENYLENE SULFIDE, GLASS FILLED, NATURAL(BROWN), UL94V-0  
ターミナル: リン青銅 (t = 0.20)  
TERMINAL: PHOSPHER BRONZE (t = 0.20)  
金具: リン青銅 (t = 0.2)  
NAIL: PHOSPHER BRONZE (t = 0.2)
- メッキ仕様 PLATING  
ターミナル TERMINAL  
鍍銀ピスマスメッキ(1.0 μm以上)  
TIN SILVER BISMUTH PLATING(1.0 MICROMETER MINIMUM)  
下地メッキ: ニッケルメッキ(1.0 μm以上)  
UNDER PLATING: NICKEL PLATING(1.0 MICROMETER MINIMUM)  
金具  
NAIL  
鍍銀メッキ(1.0 μm以上)  
TIN PLATING(1.0 MICROMETER MINIMUM)  
下地メッキ: ニッケルメッキ(1.0 μm以上)  
UNDER PLATING: NICKEL PLATING(1.0 MICROMETER MINIMUM)
- RO.3はFPCの導体部にかからないこと  
RO.3 MUST NOT BE OVERLAPED TO PATTERN OF FPC.
- 偶数極に適用  
APPLY FOR EVEN CIRCUIT
- エンボステーブ梱包時は、アクチュエータがロックした状態とする。  
IN THE PACKAGE, ACTUATOR SHOULD BE LOCKED.
- ソルダーテール半田付け面のズレ量、及び金具半田付け面のズレ量は、基準面 [H] に対し、  
上方0.1MAX、下方0.15MAXとし、相互のバラツキ量は0.1MAXとする  
MISALIGNMENT OF SOLDER TAILS AND FITTING NAILS FROM [H] UPPER DIRECTION: 0.1MAX,  
LOWER DIRECTION: 0.15MAX. OFFSET BETWEEN UPPER AND LOWER: 0.1MAX
- ソルダーテール及び金具の平坦度は、0.1mmメートル以下とする。  
SOLDER TAIL AND FITTING NAIL COPLANARITY TO BE 0.1MILLIMETERS.
- 本製品は54104シリーズの鍍銀ピスマスめっき品である。  
THIS PRODUCT IS Sn-Ag-Bi PLATING OF 54104 SERIES.
- ELV及びRoHS適合品  
ELV & RoHS COMPLIANT

SEE SHEET 1 OF 2 EC NO: J2014-1557 DRW: AISHI 2014/04/15 CHKD: KAKAHASHI 2014/04/15 APPR: YOGAWA 2014/04/17	GENERAL TOLERANCES (UNLESS SPECIFIED)		DIMENSION STYLE MM ONLY		SCALE ---	DESIGN UNITS METRIC	THIRD ANGLE PROJECTION	
	10 UNDER	± 0.2	DRAWN BY KNAGUMO	DATE 2012/09/03	TITLE 0.5MM FPC CONN ZIF R/A HOUSING ASSY (UPPER CONTACT)			
	10 OVER 30 UNDER	± 0.25	CHECKED BY KTAKAHASHI	DATE 2012/09/06	molex			
	30 OVER	± 0.3	APPROVED BY KMORIKAWA	DATE 2013/03/15				
	ANGULAR ± --- °		MATERIAL NO. SEE CHART		DOCUMENT NO. SD-54104-083		SHEET NO. 2 OF 2	
DRAFT WHERE APPLICABLE MUST REMAIN WITHIN DIMENSIONS		SIZE A3		THIS DRAWING CONTAINS INFORMATION THAT IS PROPRIETARY TO MOLEX INCORPORATED AND SHOULD NOT BE USED WITHOUT WRITTEN PERMISSION				

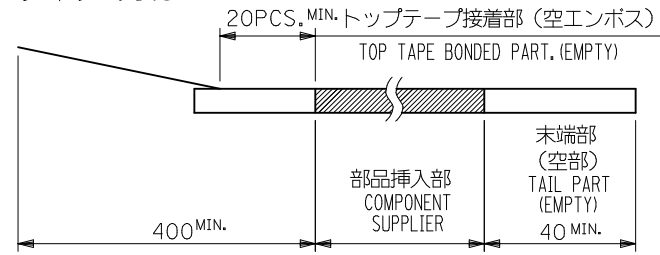
NOTES

- 製品番号54104-\*\*22の梱包状態はアクチュエータがロックした状態とする。  
詳細寸法については図面SD-54104-083を参照下さい。  
IN THE PACKAGE, ACTUATOR OF PART NO.54104-\*\*22 SHOULD BE LOCKED  
DETAIL DIMENSIONS, SEE SD-54104-083
- 梱包数量：1500個/リール  
NUMBER OF CONNECTORS : 1500PCS/REEL
- リードテープ長さ LEAD TAPE LENGTH  
20PCS. MIN. トップテープ接着部 (空エンボス)  
TOP TAPE BONDED PART. (EMPTY)
- トップテープの剥離強度については、IEC60286-3に準拠  
TOP TAPE PEEL FORCE IS DEFINED BY IEC60286-3.
- 材料  
キャリアテープ：ポリプロピレン  
トップテープ：PET, PE, PEF  
リール：ポリスチレン (PE) <リサイクル材を含む>  
MATERIAL  
CARRIERTAPE : POLYPROPYLENE  
TOPTAPE : PET, PE, PEF  
REEL : POLYSTYREN (PE) <RECYCLE MATERIAL CONTAINED>
- ELV及びRoHS適合品  
ELV AND RoHS COMPLIANT

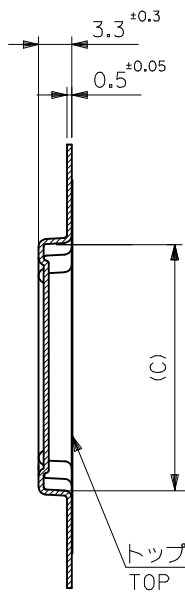


DETAIL "F"

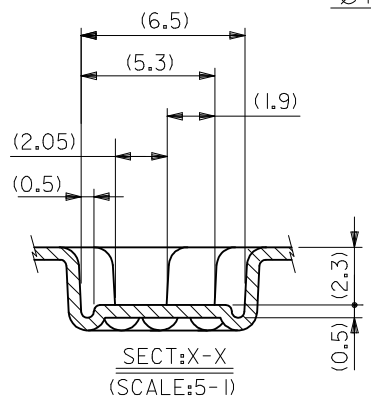
引き出し方向  
PULL OUT DIRECTION



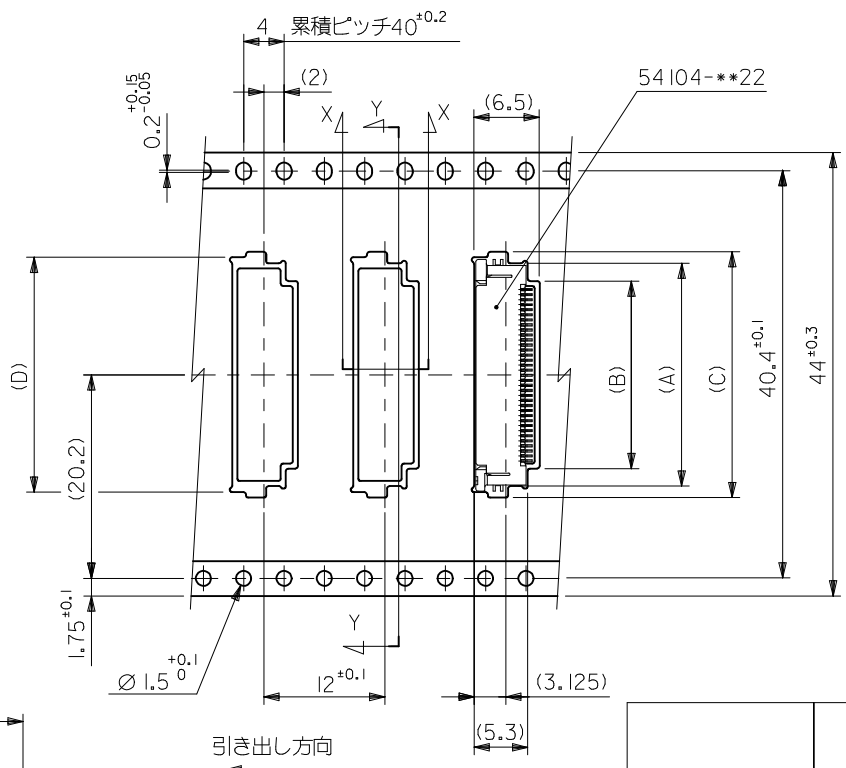
RELEASED EC NO: J2013-1003 DRWN:KNAGUMO 2012/09/05 CHKD:KAKAHASHI 2012/09/06 APP:KMORIKAWA 2013/03/15	DESCRIPTION REV: 0	GENERAL TOLERANCES (UNLESS SPECIFIED)		DIMENSION STYLE MM ONLY		SCALE ---	DESIGN UNITS METRIC	THIRD ANGLE PROJECTION		
		10 UNDER	± ---	DRAWN BY KNAGUMO	DATE 2012/09/05	TITLE EMBOSS TAPE PACKAGED FOR 0.5MM FPC CONN ZIF R/A HOUSING ASSY				
		10 OVER 30 UNDER	± ---	CHECKED BY KAKAHASHI	DATE 2012/09/06					
		30 OVER	± ---	APPROVED BY KMORIKAWA	DATE 2013/03/15					
ANGULAR ± --- °		DRAFT WHERE APPLICABLE MUST REMAIN WITHIN DIMENSIONS		MATERIAL NO. SEE CHART		DOCUMENT NO. SD-54104-084		SHEET NO. 1 OF 2		
				SIZE A3		THIS DRAWING CONTAINS INFORMATION THAT IS PROPRIETARY TO MOLEX INCORPORATED AND SHOULD NOT BE USED WITHOUT WRITTEN PERMISSION				



SECT:Y-Y



SECT:X-X  
(SCALE:5-1)



44	45.5	30.8	31.9	26.1	29.6	54104-5033	50	
		28.8	29.9	24.1	27.6	-4633	46	
		28.3	29.4	23.6	27.1	-4533	45	
		25.8	26.9	21.1	24.6	-4033	40	
		24.8	25.9	20.1	23.6	-3833	38	
		23.8	24.9	19.1	22.6	-3633	36	
		23.3	24.4	18.6	22.1	-3533	35	
		22.8	23.9	18.1	21.6	-3433	34	
		22.3	23.4	17.6	21.1	-3333	33	
		21.8	22.9	17.1	20.6	-3233	32	
20.8	21.9	16.1	19.6	54104-3033	30			
キャリアテープ幅 CARRIER TAPE WIDTH		E	D	C	B	A	製品番号 MATERIAL NO.	極数 CKT.

SEE SHEET 1 OF 2 EC NO.: J2013-1003 DRWN:KNAGUMO 2012/09/05 CHKD:KTAKAHASHI 2012/09/06 APPR:KMORIKAWA 2013/03/15	GENERAL TOLERANCES (UNLESS SPECIFIED)		DIMENSION STYLE MM ONLY		SCALE ---	DESIGN UNITS METRIC	THIRD ANGLE PROJECTION
	10 UNDER	± ---	DRAWN BY KNAGUMO	DATE 2012/09/05	TITLE EMBOSS TAPE PACKAGED FOR 0.5MM FPC CONN ZIF R/A HOUSING ASSY <b>molex</b> DOCUMENT NO. SD-54104-084 SHEET NO. 2 OF 2		
	10 OVER 30 UNDER	± ---	CHECKED BY KTAKAHASHI	DATE 2012/09/06			
	30 OVER	± ---	APPROVED BY KMORIKAWA	DATE 2013/03/15			
	ANGULAR	± --- °	MATERIAL NO.	SEE CHART			
DRAFT WHERE APPLICABLE MUST REMAIN WITHIN DIMENSIONS		SIZE A3	THIS DRAWING CONTAINS INFORMATION THAT IS PROPRIETARY TO MOLEX INCORPORATED AND SHOULD NOT BE USED WITHOUT WRITTEN PERMISSION				