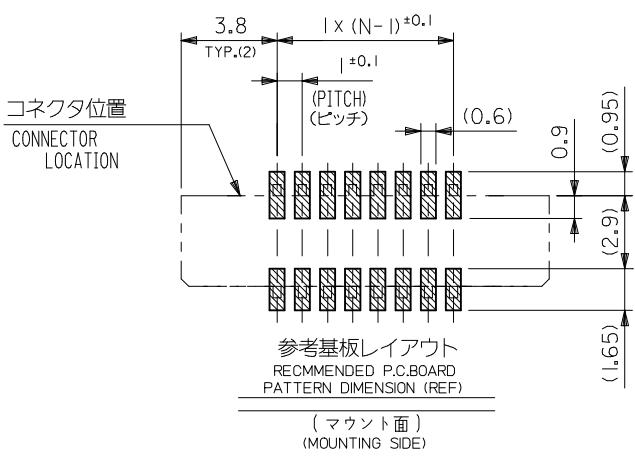


36.6	34.85	31.2	29	52610-3033	30
34.6	32.85	29.2	27	52610-2833	28
32.6	30.85	27.2	25	52610-2633	26
31.6	29.85	26.2	24	52610-2533	25
30.6	28.85	25.2	23	52610-2433	24
29.6	27.85	24.2	22	52610-2333	23
28.6	26.85	23.2	21	52610-2233	22
27.6	25.85	22.2	20	52610-2133	21
26.6	24.85	21.2	19	52610-2033	20
25.6	23.85	20.2	18	52610-1933	19
24.6	22.85	19.2	17	52610-1833	18
23.6	21.85	18.2	16	52610-1733	17
22.6	20.85	17.2	15	52610-1633	16
21.6	19.85	16.2	14	52610-1533	15
20.6	18.85	15.2	13	52610-1433	14
19.6	17.85	14.2	12	52610-1333	13
18.6	16.85	13.2	11	52610-1233	12
17.6	15.85	12.2	10	52610-1133	11
16.6	14.85	11.2	9	52610-1033	10
15.6	13.85	10.2	8	52610-0933	9
14.6	12.85	9.2	7	52610-0833	8
13.6	11.85	8.2	6	52610-0733	7
12.6	10.85	7.2	5	52610-0633	6
11.6	9.85	6.2	4	52610-0533	5
D	(C)	B	(A)	EMBOSSED PACKAGE ORDER No. オーダー番号	極数 CKT.

CONNECTOR SERIES NO. : 52610-\*\*22

REVISED EC NO. J2014-0096 DRW: AISHII 2013/07/18 CHK: KTAKAHASHI 2013/07/18 APPR: YNOGAWA 2013/08/19	GENERAL TOLERANCES (UNLESS SPECIFIED)		DIMENSION STYLE MM ONLY		SCALE ---	DESIGN UNITS METRIC	THIRD ANGLE PROJECTION
	10 UNDER	±0.2	DRAWN BY	DATE	TITLE		
	10 OVER 30 UNDER	±0.25	NASANUMA	2012/09/04	1.0 FPC CONN ZIF S/T HOUSING ASSY		
	30 OVER	±0.3	CHECKED BY	DATE			
ANGULAR ±3 °		APPROVED BY KMORIKAWA 2013/03/15	MATERIAL NO.		DOCUMENT NO.		
DRAFT WHERE APPLICABLE MUST REMAIN WITHIN DIMENSIONS		SEE CHART		SD-52610-048			SHEET NO. 1 OF 2

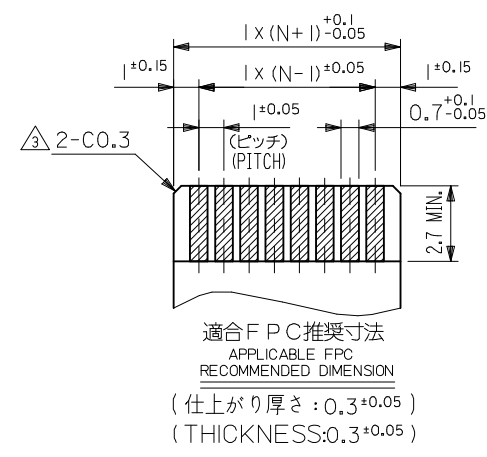




マスク厚 : 120 μm  
 マスク開口率 : 100%  
 SCREEN THICKNESS : 120 MICROMETER  
 SCREEN OPEN RATIO : 100%

注記 (NOTES) :

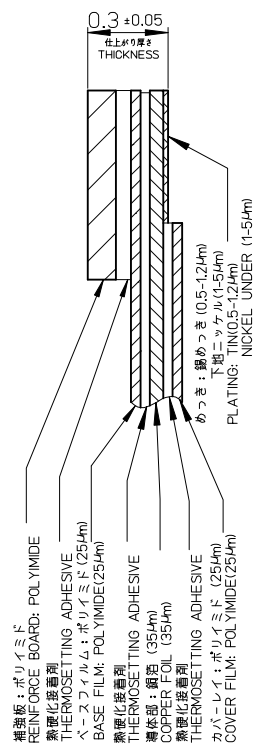
- 材質 MATERIAL  
 ハウジング:ポリアミド(PA)、ナチュラル(白色)、ガラス充填、UL94V-0  
 HOUSING:POLYAMIDE, NATURAL(WHITE), GLASS FILLED, UL94V-0  
 アクチュエータ:ポリフェニレンサルファイドPPS、ナチュラル(BROWN)、GLASS FILLED、UL94V-0  
 ACTUATOR:POLYPHENYLENE SULFIDE、ナチュラル(茶色)、ガラス充填、UL94-V0  
 ターミナル:リン青銅(t=0.32)  
 TERMINAL:PHOSPHOR BRONZE(t=0.32)
- めっき仕様 PLATING  
 ターミナル TERMINAL  
 錫銀ピスマスめっき(1.0 μm以上)  
 TIN SILVER BISMUTH PLATING (1.0 MICROMETER MINIMUM)  
 下地:ニッケルめっき(1.0 μm以上)  
 UNDER PLATE:NICKEL PLATING (1.0 MICROMETER MINIMUM)
- △ R0.3はFPCの導体部にかからないこと  
 R0.3 MUST NOT BE OVERLAPPED TO PATTERN OF FPC.
- エンボステープ梱包時は、アクチュエータがロックした状態とする。  
 IN THE PACKAGE, ACTUATOR SHOULD BE LOCKED.
- △ 偶数極に適用。  
 APPLY FOR EVEN CIRCUIT.
- △ ソルダータール半田付け面のズレ量は、基準面 E に対し、上方向0.05MAX.、下方向0.15MAX.とする。  
 MISALIGNMENT OF SOLDER TAILS FROM E UPPER DIRECTION 0.05 MAX., LOWER DIRECTION 0.15 MAX.
- △ ソルダータールの平均度は0.1mm以下とする。  
 SOLDER TAIL COPLANARITY IS 0.1MM MAXIMUM.
- ELV及びRoHS適合品  
 ELV AND ROHS COMPLIANT



FPCについて ABOUT FPC

打ち抜き方向は導体側から補強板側を推奨します。  
 導体部については軟烙銅35 μmまたは50 μmを推奨します。  
 補強フィルム材質はポリイミドを推奨します。ベースフィルムは25 μmを推奨します。  
 接着剤は熱硬化接着剤を推奨します。  
 尚、接着剤の接点部への付着は導通不良の原因になりますので、染み出しが無い様、お願い致します。

RECOMMENDED PUNCHING DIRECTION: FROM CONDUCTOR SIDE TO STIFFENER SIDE  
 RECOMMENDED CONDUCTOR SPEC: SOFT COPPER FOIL  
 RECOMMENDED CONDUCTOR THICKNESS: 35 MICROMETER OR 50 MICROMETER  
 RECOMMENDED STIFFENER MATERIAL: POLYIMIDE  
 RECOMMENDED BASE FILM THICKNESS: 25 MICROMETER  
 RECOMMENDED ADHESIVE: THERMOSETTING ADHESIVE  
 NOTE: PLEASE PUT APPROPRIATE AMOUNT OF ADHESIVE ON ADHEREND BECAUSE THERE IS A POSSIBILITY THAT THE EXTRA ADHESIVE CAUSES THE DEFECT IN ELECTRICAL CONTINUITY.



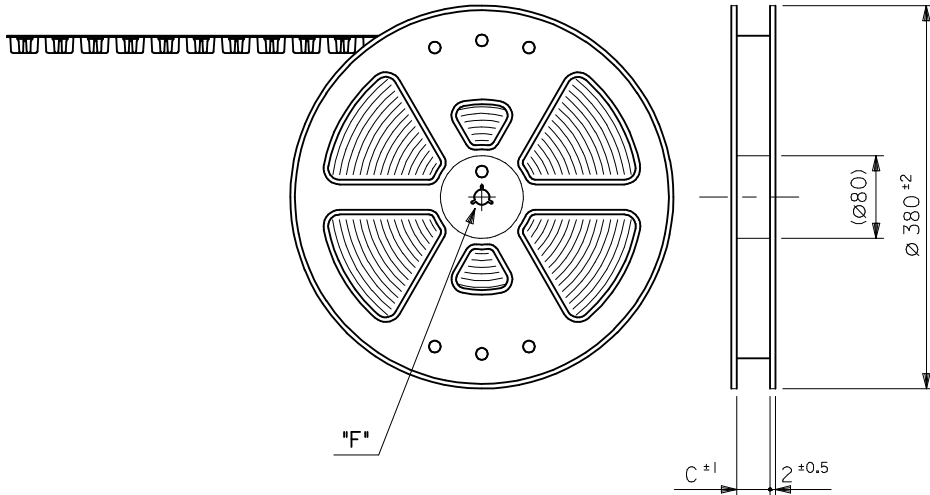
FPC構成推奨仕様  
STRUCTURE OF FPC

SEE SHEET 1 OF 2 EC NO: J2014-0096 DRW: AISHI 2013/07/18 CHKD: KAKAHASHI 2013/07/18 APPR: YNOGAWA 2013/08/19	DESCRIPTION	GENERAL TOLERANCES (UNLESS SPECIFIED)		DIMENSION STYLE MM ONLY		SCALE ---	DESIGN UNITS METRIC	THIRD ANGLE PROJECTION	
		10 UNDER	± 0.2	DRAWN BY NASANUMA	DATE 2012/09/04	TITLE 1.0 FPC CONN ZIF S/T HOUSING ASSY		molex SD-52610-048 SHEET NO. 2 OF 2	
		10 OVER 30 UNDER	± 0.25	CHECKED BY KTAKAHASHI	DATE 2012/09/04				
		30 OVER	± 0.3	APPROVED BY KMORIKAWA	DATE 2013/03/15				
B	REV	ANGULAR ± 3 ° DRAFT WHERE APPLICABLE MUST REMAIN WITHIN DIMENSIONS	MATERIAL NO. SEE CHART	DOCUMENT NO. SD-52610-048					
		SIZE A3	THIS DRAWING CONTAINS INFORMATION THAT IS PROPRIETARY TO MOLEX INCORPORATED AND SHOULD NOT BE USED WITHOUT WRITTEN PERMISSION						

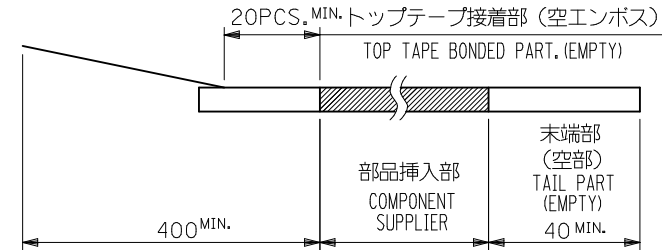
NOTES

- 52610-\*\*\*22のアクチュエータはハウジング内に押し下げた状態とする。  
詳細寸法については図面SD-52610-048をご参照ください。  
ACTUATOR OF PART NO. 52610-\*\*\*22 SHULD BE LOCKED.  
RE DETAILED DIMENSIONS, SEE SD-52610-048
- 梱包数量：1000個/リール  
NUMBER OF CONNECTORS : 1000PCS/REEL
- リードテープ長さ  
LEAD TAPE LENGTH

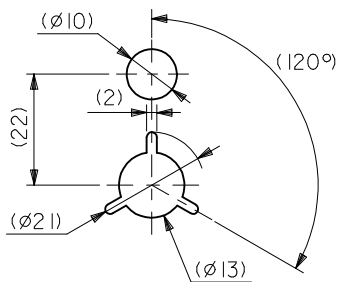
引き出し方向  
PULL OUT  
DIRECTION



引き出し方向  
PULL OUT  
DIRECTION

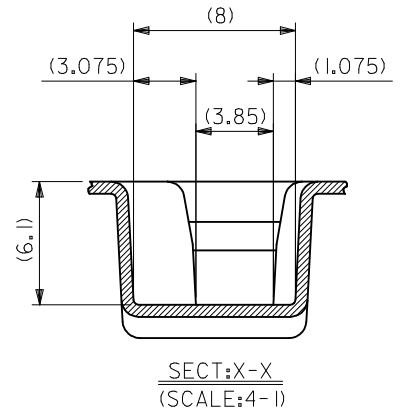
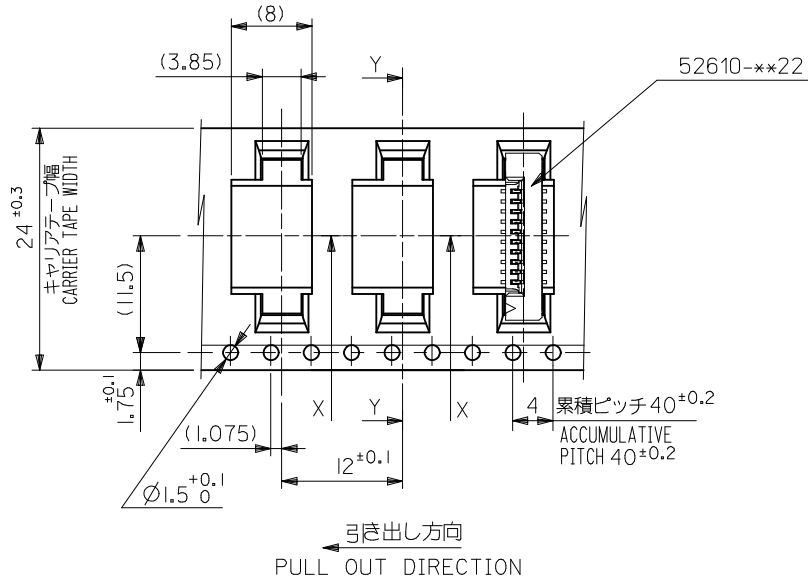
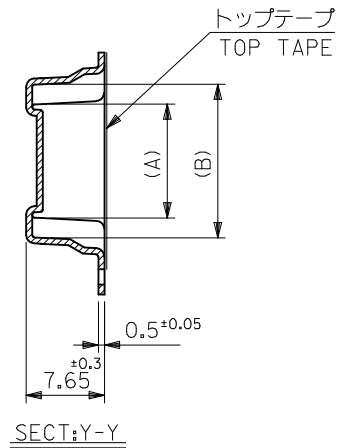


- カバーテープの剥離強度については、IEC60286-3に準拠  
COVER TAPE PEEL FORCE IS DEFINED BY IEC60286-3.
- 材料(MATERIAL)  
キャリアテープ (CARRIER TAPE) : ポリプロピレン (POLYPROPYLENE)  
トップテープ (TOP TAPE) : PET, PE, PEF  
リール(REEL) : ポリスチレン(PS) <リサイクル材を含む>  
POLYSTYREN(PS) <RECYCLE MATERIAL CONTAINED>
- ELV及びRoHS適合品  
ELV AND RoHS COMPLIANT



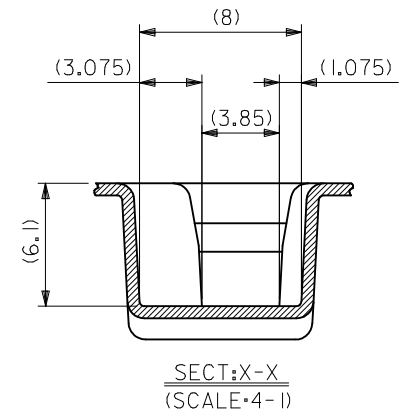
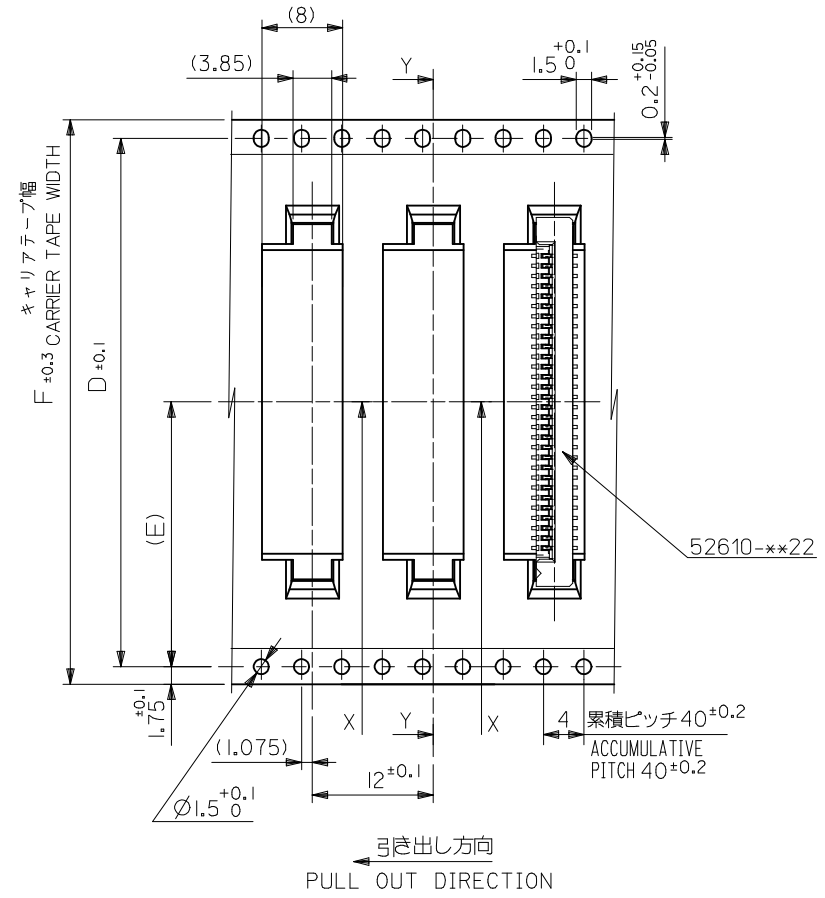
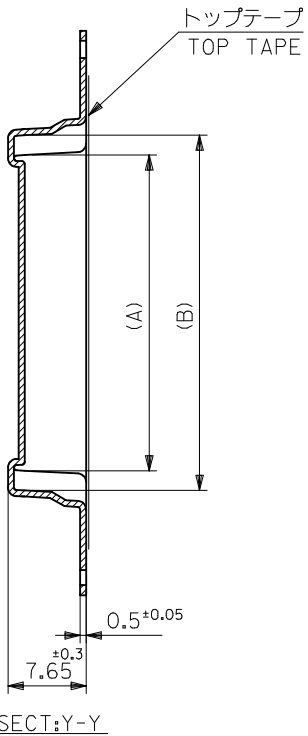
DETAIL "F"

REVISED EC NO: J2014-0352 DRWN:NASANUMA 2013/08/26 CHK'D:KTAKAHASHI 2013/08/27 APPR:YNOGAWA 2013/08/30	GENERAL TOLERANCES (UNLESS SPECIFIED)		DIMENSION STYLE MM ONLY		SCALE ---	DESIGN UNITS METRIC	THIRD ANGLE PROJECTION
	10 UNDER	± ---	DRAWN BY NASANUMA	DATE 2012/09/05	TITLE EMBOSS TAPE PACKAGED FOR 1.0 FPC CONN ZIF S/T HOUSING ASSY		
	10 OVER 30 UNDER	± ---	CHECKED BY KTAKAHASHI	DATE 2012/09/05			
	30 OVER	± ---	APPROVED BY KMORIKAWA	DATE 2013/03/15			
ANGULAR	± --- °	MATERIAL NO. SEE CHART		DOCUMENT NO. SD-52610-049	SHEET NO. 1 OF 3		
DRAFT WHERE APPLICABLE MUST REMAIN WITHIN DIMENSIONS		SIZE A3	THIS DRAWING CONTAINS INFORMATION THAT IS PROPRIETARY TO MOLEX INCORPORATED AND SHOULD NOT BE USED WITHOUT WRITTEN PERMISSION				



24	11.5	25.5	15.25	11.32	52610-1033	10
			14.25	10.32	52610-0933	9
			13.25	9.32	52610-0833	8
			12.25	8.32	52610-0733	7
			11.25	7.32	52610-0633	6
			10.25	6.32	52610-0533	5
F	(E)	C	(B)	(A)	ENG. NO.	種数 CKT.

SEE SHEET 1 OF 3 EC NO: J2014-0352 DRWN:NASANUMA 2013/08/26 CHKD:KTAKAHASHI 2013/08/27 APPR:YNOGAWA 2013/08/30	DESCRIPTION REV	GENERAL TOLERANCES (UNLESS SPECIFIED)		DIMENSION STYLE MM ONLY		SCALE ---	DESIGN UNITS METRIC	THIRD ANGLE PROJECTION		
		10 UNDER	± ---	DRAWN BY NASANUMA	DATE 2012/09/05	TITLE EMBOSS TAPE PACKAGED FOR 1.0 FPC CONN ZIF S/T HOUSING ASSY				
		10 OVER 30 UNDER	± ---	CHECKED BY KTAKAHASHI	DATE 2012/09/05					
		30 OVER	± ---	APPROVED BY KMORIKAWA	DATE 2013/03/15					
		ANGULAR ± --- °		MATERIAL NO. SEE CHART		DOCUMENT NO. SD-52610-049		SHEET NO. 2 OF 3		
DRAFT WHERE APPLICABLE MUST REMAIN WITHIN DIMENSIONS		THIS DRAWING CONTAINS INFORMATION THAT IS PROPRIETARY TO MOLEX INCORPORATED AND SHOULD NOT BE USED WITHOUT WRITTEN PERMISSION								



56	26.2	52.4	57.5	35.25	31.32	52610-3033	30
				33.25	29.32	52610-2833	28
44	20.2	40.4	46.5	31.25	27.32	52610-2633	26
				30.25	26.32	52610-2533	25
				29.25	25.32	52610-2433	24
				28.25	24.32	52610-2333	23
				27.25	23.32	52610-2233	22
				26.25	22.32	52610-2133	21
				25.25	21.32	52610-2033	20
				24.25	20.32	52610-1933	19
				23.25	19.32	52610-1833	18
				22.25	18.32	52610-1733	17
32	14.2	28.4	33.5	21.25	17.32	52610-1633	16
				20.25	16.32	52610-1533	15
				19.25	15.32	52610-1433	14
				18.25	14.32	52610-1333	13
F	(E)	D	C	17.25	13.32	52610-1233	12
				16.25	12.32	52610-1133	11
				(B)	(A)	ENG. NO.	極数 CKT.

SEE SHEET 1 OF 3 EC NO: J2014-0352 DRWN:NASUNUMA 2013/08/26 CHK'D:KATAHASHI 2013/08/27 APPR:YNOGAWA 2013/08/30	GENERAL TOLERANCES (UNLESS SPECIFIED)		DIMENSION STYLE <b>MM ONLY</b>		SCALE ---	DESIGN UNITS METRIC		THIRD ANGLE PROJECTION		
	10 UNDER	± ---	DRAWN BY NASUNUMA		DATE 2012/09/05		TITLE EMBOSSED TAPE PACKAGED FOR 1.0 FPC CONN ZIF S/T HOUSING ASSY  <b>molex</b> DOCUMENT NO. SD-52610-049 SHEET NO. 3 OF 3			
	10 OVER 30 UNDER	± ---	CHECKED BY KTAKAHASHI		DATE 2012/09/05					
	30 OVER	± ---	APPROVED BY KMORIKAWA		DATE 2013/03/15					
	ANGULAR ± --- °		MATERIAL NO. SEE CHART		THIS DRAWING CONTAINS INFORMATION THAT IS PROPRIETARY TO MOLEX INCORPORATED AND SHOULD NOT BE USED WITHOUT WRITTEN PERMISSION					
DRAFT WHERE APPLICABLE MUST REMAIN WITHIN DIMENSIONS		SIZE A3								