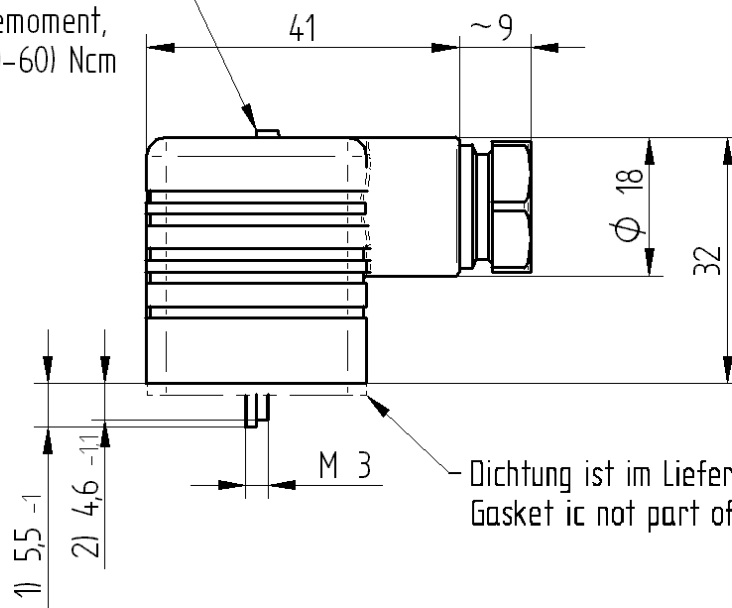


Verschraubung,  
Cable gland: PG 9  
Anziehdrehmoment,  
fastening torque: (250-375) Ncm

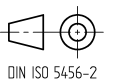
Zentralschraube,  
central screw: M3  
Anziehdrehmoment,  
fastening torque: M = (50-60) Ncm



Dichtung ist im Lieferumfang nicht enthalten  
Gasket is not part of delivery.

- 1) In montiertem Zustand, Dichtlippe gepresst.  
When mounted, sealing lip pressed.
- 2) Im Lieferzustand, Dichtlippe nicht gepresst.  
In delivery condition, sealing lip not pressed.

The information/details in this datasheet merely contain general descriptions or performance factors which, when applied in an actual situation, do not always correspond with the described form, and may be amended by way of the further development of products. The desired performance factors shall only be binding if these are expressly agreed on conclusion of the contract.



**Product description**

Description	Cable socket angled
Type	GM 209 NJ ..., see standard products
Order No	932-977-..., see standard products
Type of contacts	female
Number of contacts	2+PE
Cable gland	PG 9
Conductor size	max. 1,5 mm <sup>2</sup>
Construction type	
Color housing	see standard products

**Technical data**

Clearance / Creepage distance	DIN EN 60664-1 (2008/01); VDE 0110-1
Rated voltage	250 V AC/DC
Rated current *	16 A
Rated impulse voltage	4,0 kV
Pollution degree	3 acc. to DIN EN 60664-1 (VDE 0110-1)
Contact resistance	< 10 mOhm
Type of connection	screw terminal
Mating cycles	max. 50
Suitable cables	Ø4,5 mm to Ø7 mm
Mounting	Central screw M 3

\* Notice derating

**Materials**

Contact	CuZn
Contact plating	Cu/Sn
Contact bearer	PA 6 GF
Housing	PA 6 GF
Central screw	4.8 , Fe/Zn B
Gasket(s)	SBR/NBR, cable gland
Cable gland screw	PA 6 GF

**Environmental conditions**

Protection class (IEC 60529) *	IP65, IP67***
Pollution severity	3 acc. to DIN EN 60664-1 (VDE 0110-1)
Temperature range	-40°C to +125°C, notice derating **

\* only if mounted and locked in combination with Hirschmann / Lumberg connector.

\*\* notice temp.-range of the gasket, gasket, see accessories, is required.

\*\*\* protection class IP67 only in Temp.-range from -40°C to +90°C.

**Flammability class**

Housing	UL 94 HB
Contact bearer	UL 94 HB
Cable gland screw	UL 94 HB

**Approvals**

VDE	VDE-Reg.-Nr.: 1978
UL	E95522
CSA	059908_0_000

**Accessories**

Mating connectors

931-352-100, GSA 20, appliance plug

Accessories to order separately

Gasket:

731-423-002, NBR, Temp. range: -30°C to +90°C, flat gasket GDM 3-7, brown

731-755-004, EPDM, Temp. range: -40°C to +125°C, flat gasket GDM 3-21, brown

731-752-002, MPQ, Temp. range: -40°C to +125°C, flat gasket GDM 3-17, red

central screw:

732-488-002, knurled head (grey)

734-363-001, stainless steel screw

**Additional technical data**

Fastening torque (central screw)

M 3: (50-60) Ncm

Fastening torque (cable gland)

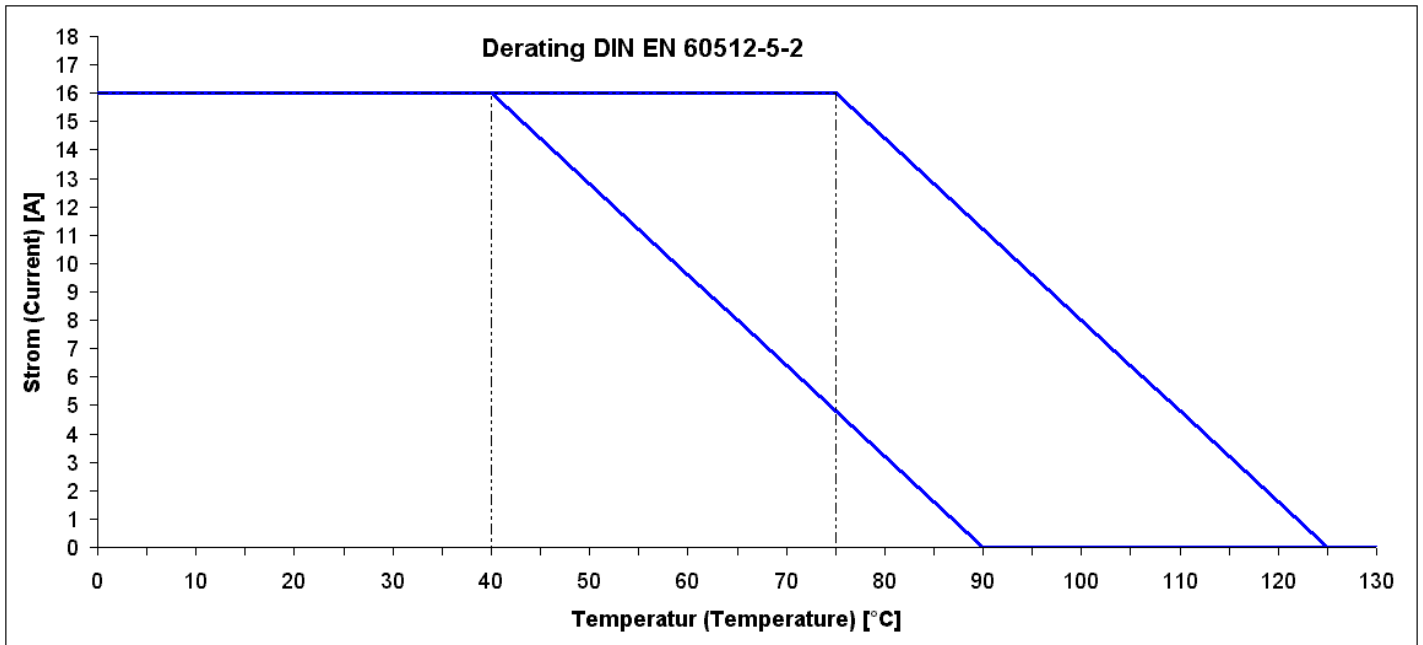
PG 9: (250-375) Ncm

Fastening torque (contact screw)

M 3: (40-50) Ncm

**Cutline**

Do not connect or disconnect under load.



**Standard products**

Artikel-No.	Type	Color housing
932-977-100	GM 209 NJ schwarz	black
932-977-106	GM 209 NJ grau	grey