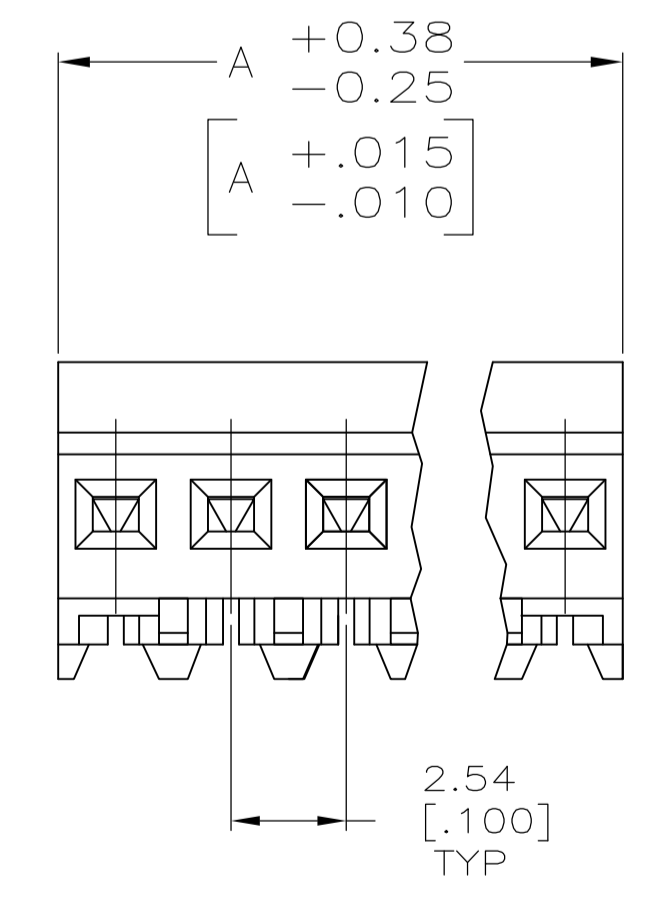
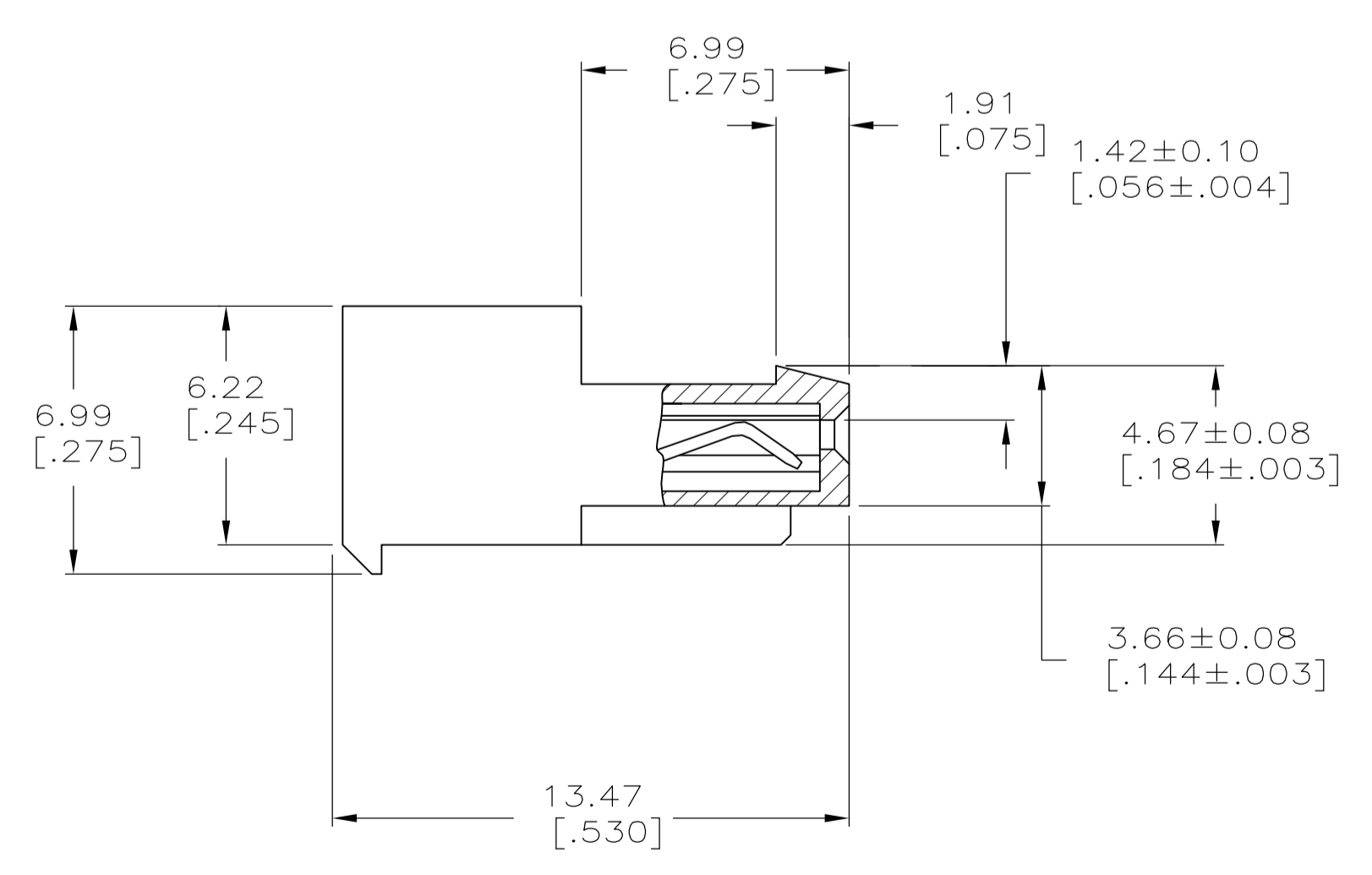
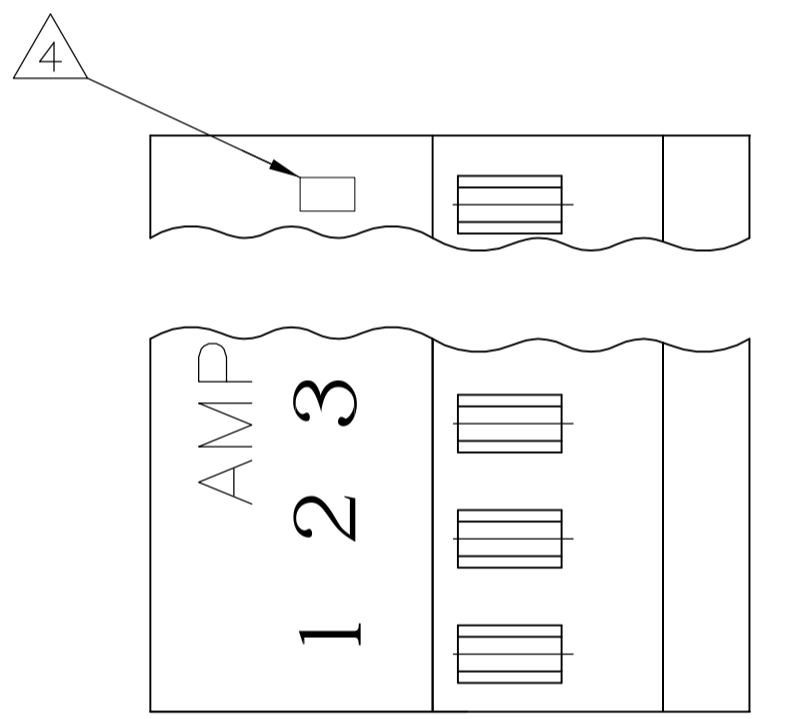


LOC		DIST		REVISIONS			
CM	00	REV	DATE	BY	CHK	APP	
		N	22FEB07	KW	DB		
		N1	15AUG09	KK	AEG		

- 1 MATERIAL: CONNECTOR-NYLON UL94V-2 (WHITE).
 CONTACTS-0.30 [.012] THICK COPPER ALLOY
 BRIGHT TIN-LEAD 0.00203 [.000080] MINIMUM THICK FOR CONTACTS
 641535-2 THRU 641535-6,
 MATTE WHISKER MITIGATED TIN PLATE 0.00203 [.000080] MINIMUM THICK OVER
 NICKEL UNDERPLATE FOR CONTACTS 3-641535-2 THRU 3-641535-6.
- 2. CONTACTS ACCEPT 24 AWG WIRE WITH 1.52 [.060] MAXIMUM INSULATION DIAMETER.
- 3. CONTACTS MUST ACCEPT 0.36-0.51 [.014-.020] SQUARE OR ROUND POST AND
 REMAINED LOCKED IN POSITION.
- 4 IDENTIFICATION NUMBER FOR LAST CIRCUIT MAY NOT APPEAR ON ALL ASSEMBLIES.
- 5. DIMENSIONS IN BRACKETS ARE IN INCHES.
- 6. HOUSING FEATURES ARE: CLOSED END WITH LOCKING RAMP & LED CONTACT.
- 7 OBSOLETE PARTS: OBSOLETE CIS STREAMLINING PER D.RENAUD/D.SINISI



LEAD FREE	DIM A	NO.OF POSN	ASSEMBLY
15.24 [.600]	6	3-641535-6	
12.70 [.500]	5	3-641535-5	
7.62 [.300]	3	3-641535-3	
5.08 [.200]	2	3-641535-2	

CONTAINS LEAD	DIM A	NO.OF POSN	ASSEMBLY
15.24 [.600]	6	641535-6	
12.70 [.500]	5	641535-5	
7.62 [.300]	3	641535-3	
5.08 [.200]	2	641535-2	

7 SUPERSEDED
 7 SUPERSEDED

METRIC

THIS DRAWING IS A CONTROLLED DOCUMENT.

DIMENSIONS: mm [INCHES]	TOLERANCES UNLESS OTHERWISE SPECIFIED:	DIN S. HOOVER 10-DEC-2004	Tyco Electronics Corporation Harrisburg, Pa 17105-3608
0 PLC ±	1 PLC ±	CHK: D. ROSSI 10-DEC-2004	NAME: MTA-100 CONNECTOR ASSEMBLY, 24 AWG, FOR .014 TO .020 POST, SPECIAL
2 PLC ±	3 PLC ±	APP'D: D. ROSSI 10-DEC-2004	PRODUCT SPEC: 108-1050
4 PLC ±	ANGLES ±	APPLICATION SPEC: 114-1019	RESTRICTED TO: A1 00779 C=641535
MATERIAL 1	FINISH 1	WEIGHT: CUSTOMER DRAWING	SCALE: 5:1 SHEET: 1 OF 1 REV: N1