

Bearings

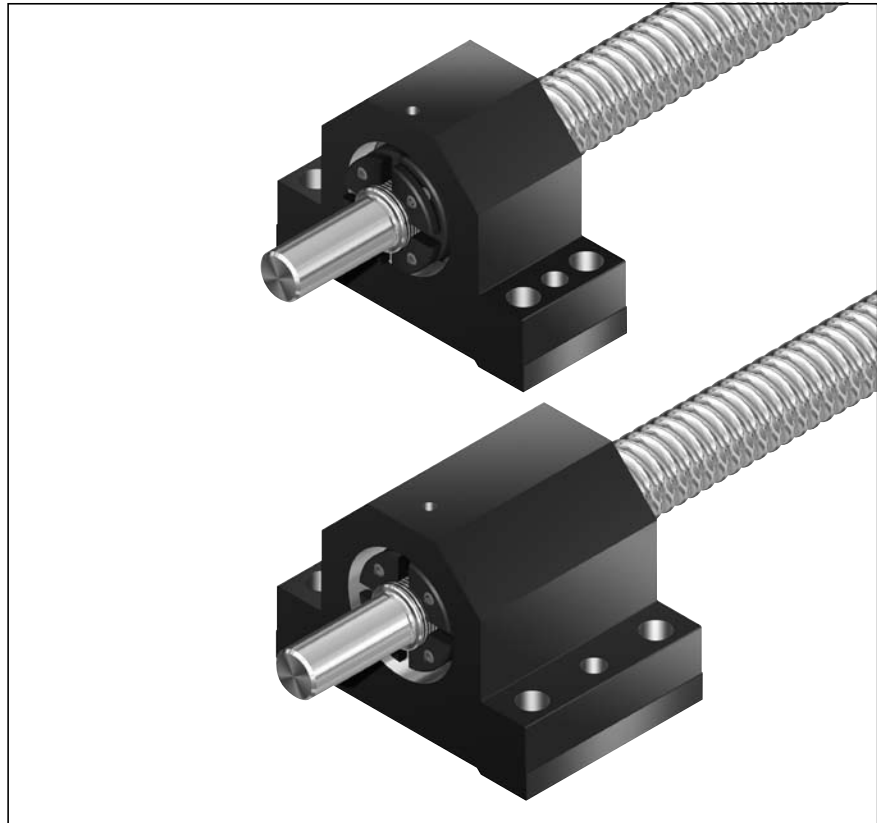
Pillow Block Unit SEB-F

**Fixed bearing with angular-contact thrust ball bearing
LGN-B-...
LGN-C-...**

The pillow block unit consists of:

- precision pillow block housing made of steel with reference edges on two sides
- angular-contact thrust ball bearing LGN...
- slotted nut NMA or NMZ
- housing nut GWR

The nut is supplied unmounted.

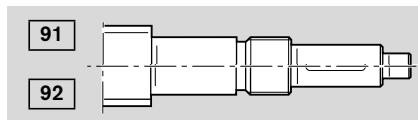
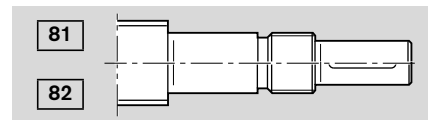
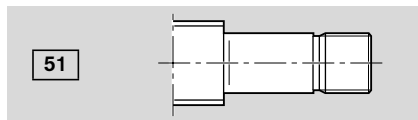


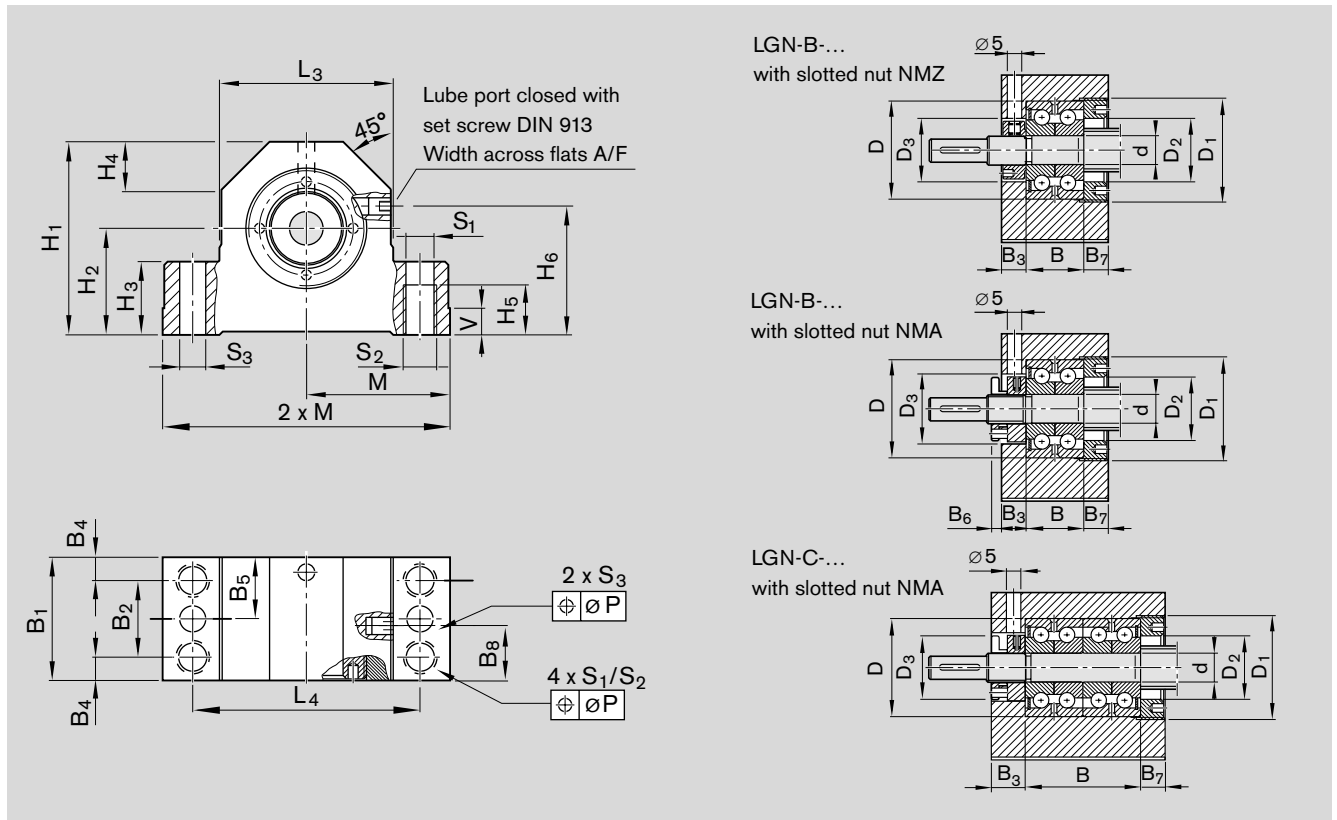
Size	Pillow block unit complete	Angular-contact thrust ball bearing					Designation	Slotted nut		Weight complete
		Load ratings (axial)		Dimensions (mm)				M _A (Nm)	Designation	
d ₀ x P	Part number	dyn. C (N)	stat. C ₀ (N)	d	D	B			(kg)	
6x1/2	R1591 106 00	6900	8500	6	24	15	LGN-B-0624	2.0	NMZ 6x0.5	0.38
8x1/2/2.5	R1591 106 00	6900	8500	6	24	15	LGN-B-0624	2.0	NMZ 6x0.5	0.38
12x2/5/10	R1591 106 20	6900	8500	6	24	15	LGN-B-0624	2.0	NMZ 6x0.5	0.38
16x5/10/16	R1591 110 20	13400	18800	10	34	20	LGN-B-1034	6.0	NMZ 10x1	0.87
20x5/20	R1591 112 20	17000	24700	12	42	25	LGN-B-1242	8.0	NMZ 12x1	1.12
25x5/10/25	R1591 117 20	18800	31000	17	47	25	LGN-B-1747	15.0	NMZ 17x1	1.65
25x5/10/25	R1591 117 30	18800	31000	17	47	25	LGN-B-1747	15.0	NMA 17x1	1.69
32x5/10/20/32	R1591 120 20	26000	47000	20	52	28	LGN-B-2052	18.0	NMZ 20x1	1.93
32x5/10/20/32	R1591 120 30	26000	47000	20	52	28	LGN-B-2052	18.0	NMA 20x1	2.03
40x10/12/16/20/40	R1591 225 30	44500	111000	25	57	56	LGN-C-2557	25.0	NMA 25x1.5	5.13
40x5	R1591 130 20	29000	64000	30	62	28	LGN-B-3062	32.0	NMZ 30x1.5	2.64
40x5	R1591 130 30	29000	64000	30	62	28	LGN-B-3062	32.0	NMA 30x1.5	2.77
50x5	R1591 135 30	41000	89000	35	72	34	LGN-B-3572	40.0	NMA 35x1.5	4.66
50x10/12/16/20/40	R1591 230 30	47500	127000	30	62	56	LGN-C-3062	32.0	NMA 30x1.5	7.04
63x10/20/40	R1591 140 30	72000	149000	40	90	46	LGN-A-4090	55.0	NMA 40x1.5	10.49
80x10/20	R1591 150 30	113000	250000	50	110	54	LGN-A-50110	85.0	NMA 50x1.5	15.61

Suitable for screw ends: Form

For screws 8 x1/2/2.5:

Form 53, 83, 93





Size	Dimensions (mm)																									
	M	L ₃	L ₄	H ₁	H ₂	H ₃	H ₄	H ₅	H ₆	B ₁	B ₂	B ₃	B ₄	B ₅	B ₆	B ₇	B ₈	V	S ₁	S ₂	S ₃	SW	D ₁	D ₂	D ₃	P
d ₀ x P	js7				±0.02														H12							
6x1/2	31.0	38	50	34	18	13	8	9	22	32	16	8.5	8.0	16.0	-	8.5	16.0	6	5.3	M6	3.7	3	M26x1.5	16.5	18	0.10
8x1/2/2.5	31.0	38	50	34	18	13	8	9	22	32	16	8.5	8.0	16.0	-	8.5	16.0	6	5.3	M6	3.7	3	M26x1.5	16.5	18	0.10
12x2/5/10	31.0	38	50	41	22	13	8	9	22	32	16	8.5	8.0	16.0	-	8.5	16.0	6	5.3	M6	3.7	3	M26x1.5	16.5	18	0.10
16x5/10/16	43.0	52	68	58	32	22	14	15	37	37	23	8.5	7.0	18.5	-	8.5	18.5	8	8.4	M10	7.7	4	M36x1.5	22.0	27	0.15
20x5/20	47.0	60	77	64	34	22	16	15	40	42	25	8.5	8.5	21.0	-	8.5	21.0	8	8.4	M10	7.7	4	M45x1.5	28.0	32	0.15
25x5/10/25	54.0	66	88	72	39	27	18	18	45	46	29	10.5	8.5	23.0	-	10.5	23.0	10	10.5	M12	9.7	4	M50x1.5	31.0	36	0.20
25x5/10/25	54.0	66	88	72	39	27	18	18	45	46	29	10.5	8.5	23.0	7.5	10.5	23.0	10	10.5	M12	9.7	4	M50x1.5	31.0	36	0.20
32x5/10/20/32	56.0	70	92	77	42	27	19	18	48	49	29	10.5	10.0	24.5	-	10.5	24.5	10	10.5	M12	9.7	4	M55x1.5	36.0	42	0.20
32x5/10/20/32	56.0	70	92	77	42	27	19	18	48	49	29	10.5	10.0	24.5	7.5	10.5	24.5	10	10.5	M12	9.7	4	M55x1.5	36.0	42	0.20
40x10/12/16/20/40	63.0	80	105	98	58	32	23	21	64	89	62	20.5	13.5	44.5	-	12.5	54.5	12	12.6	M14	9.7	4	M62x1.5	43.0	48	0.20
40x5	63.0	80	105	90	50	32	22	21	56	53	32	12.5	10.5	26.5	-	12.5	26.5	12	12.6	M14	9.7	4	M65x1.5	47.0	53	0.20
40x5	63.0	80	105	90	50	32	22	21	56	53	32	12.5	10.5	26.5	7.5	12.5	26.5	12	12.6	M14	9.7	4	M65x1.5	47.0	53	0.20
50x5	72.0	92	118	105	58	38	25	22	63	70	43	20.5	13.5	35.0	-	15.5	32.5	12	12.5	M14	9.7	4	M78x2	54.0	60	0.20
50x10/12/16/20/40	72.0	92	118	112	65	38	25	22	70	92	65	20.5	13.5	46.0	-	15.5	57.5	12	12.5	M14	9.7	4	M78x2	54.0	53	0.20
63x10/20/40	95.0	130	160	138	73	50	35	22	78	85	58	22.5	13.5	42.5	-	16.5	39.5	16	12.5	M14	9.7	4	M95x2	68.0	72	0.20
80x10/20	102.5	145	175	165	93	50	40	36	98	98	58	25.5	20.0	49.0	-	18.5	45.5	16	17.3	M20	11.7	4	M115x2	85.0	90	0.20

Bearings

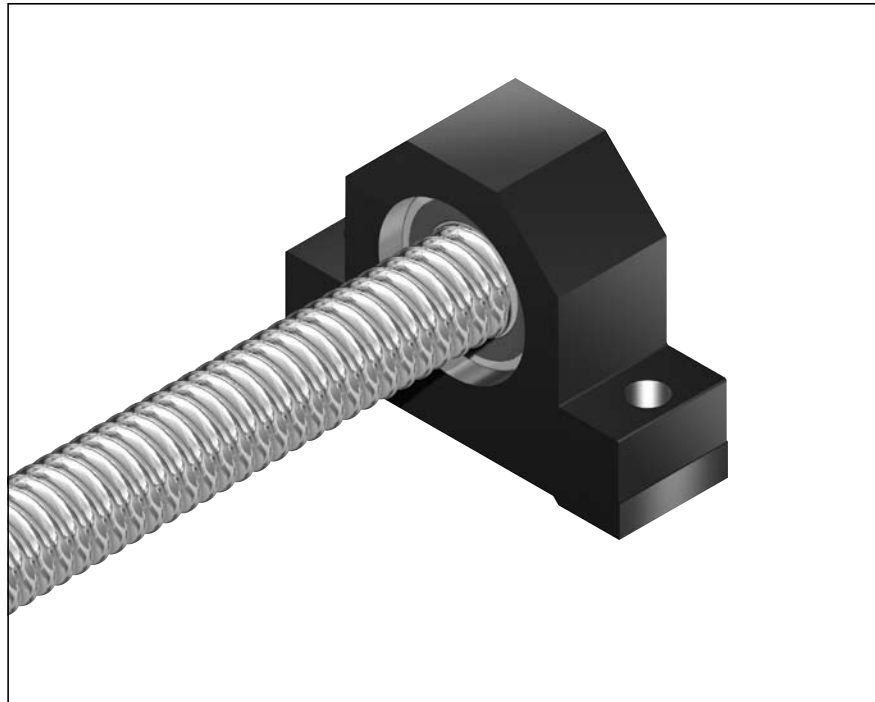
Pillow Block Unit SEB-L

**Floating bearing with
deep-groove ball bearing
per DIN 625**

The pillow block unit consists of:

- precision pillow block housing made of steel with reference edge on one side
- deep-groove ball bearing per DIN 625-... .2RS
- retaining ring per DIN 471
- cover

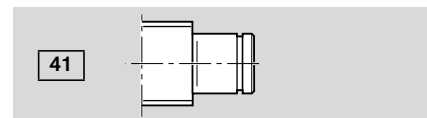
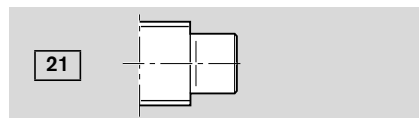
All parts are supplied unmounted.

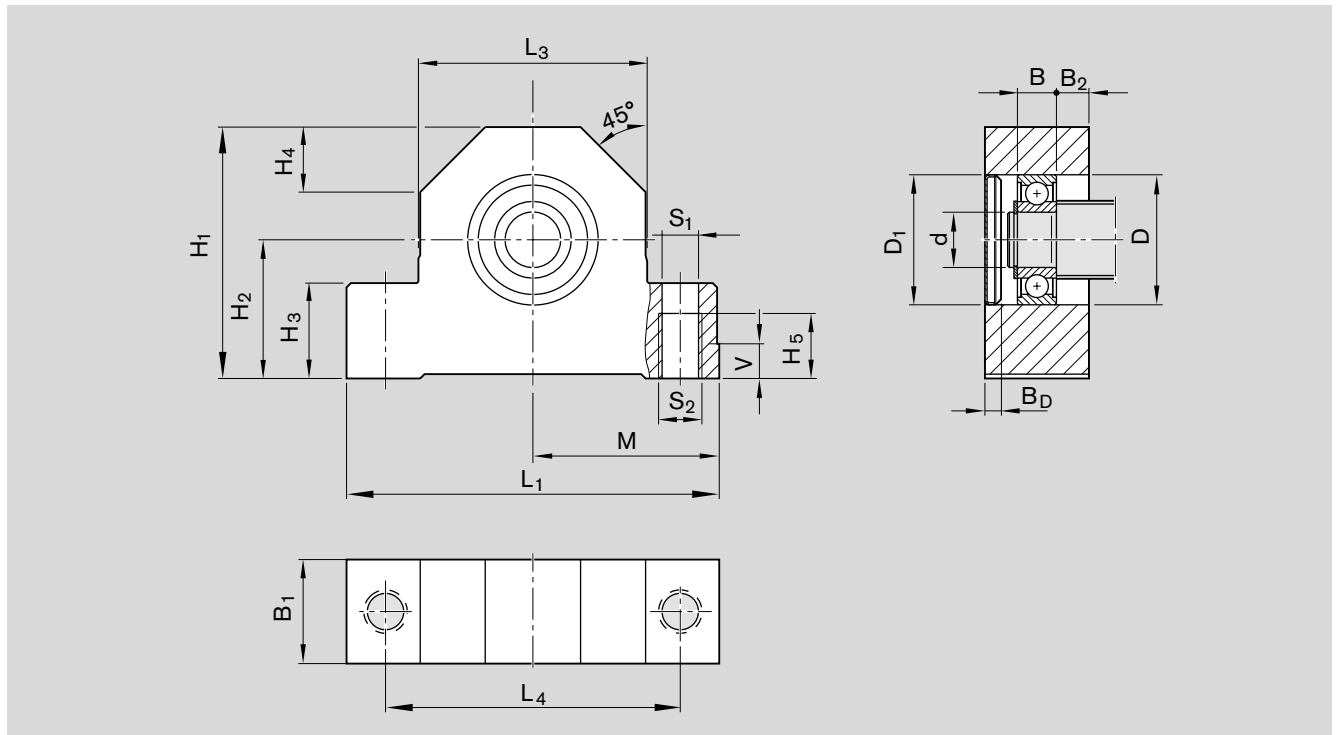


Size $d_o \times P$	Pillow block unit complete Part number	Deep-groove ball bearing per DIN 625			Designation DIN 625...			Retaining ring per DIN 471	Weight complete (kg)
		Load ratings (radial)		Dimensions (mm)					
		dyn. C (N)	stat. C ₀ (N)	d	D	B			
8x1/2/2.5	R1591 605 00	1900	590	5	16	5	625.2RS	5x0.6	0.14
12x2/5/10	R1591 606 20	2450	900	6	19	6	626.2RS	6x0.7	0.18
16x5/10/16	R1591 610 20	6000	2240	10	30	9	6200.2RS	10x1	0.54
20x5/20/40	R1591 612 20	6950	2650	12	32	10	6201.2RS	12x1	0.73
25x5/10/25	R1591 617 20	9500	4150	17	40	12	6203.2RS	17x1	0.96
32x5/10/20/32	R1591 620 20	12700	5700	20	47	14	6204.2RS	20x1.2	1.24
40x5	R1591 630 20	19300	9800	30	62	16	6206.2RS	30x1.5	1.66
40x10/12/16/20/40	R1591 630 10	19300	9800	30	62	16	6206.2RS	30x1.5	1.82
50x5	R1591 635 10	25500	13200	35	72	17	6207.2RS	35x1.5	2.66
50x10/12/16/20/40	R1591 635 20	25500	13200	35	72	17	6207.2RS	35x1.5	2.87
63x10/20/40	R1591 650 20	36500	20800	50	90	20	6210.2RS	50x2	5.39
80x10/20	R1591 660 20	52000	31000	60	110	22	6212.2RS	60x2	7.09

Suitable for screw ends: Form

For screws 12 x 2: Form 41





Size	Dimensions (mm)															
	L ₁	L ₃	L ₄	H ₁	H ₂ ±0.02	H ₃	H ₄	H ₅	B ₁	B ₂	M js7	V	S ₁ H12	S ₂	D ₁ J6	Cover B _D
8x1/2/2.5	62	38	50	34	18	13	11	9	13	4.0	31.0	6	5.3	M6	16	2.6
12x2/5/10	62	38	50	41	22	13	11	9	15	4.5	31.0	6	5.3	M6	19	2.6
16x5/10/16	86	52	68	58	32	22	15	15	24	7.5	43.0	8	8.4	M10	30	3.8
20x5/20/40	94	60	77	64	34	22	17	15	26	8.0	47.0	8	8.4	M10	32	3.8
25x5/10/25	108	66	88	72	39	27	19	18	28	8.0	54.0	10	10.5	M12	40	3.7
32x5/10/20/32	112	70	92	77	42	27	20	18	34	10.0	56.0	10	10.5	M12	47	4.8
40x5	126	80	105	90	50	32	23	21	38	11.0	63.0	12	12.6	M14	62	4.5
40x10/12/16/20/40	126	80	105	98	58	32	23	21	38	11.0	63.0	12	12.6	M14	62	4.5
50x5	144	92	118	105	58	38	25	22	41	12.0	72.0	12	12.5	M14	72	5.0
50x10/12/16/20/40	144	92	118	112	65	38	25	22	41	12.0	72.0	12	12.5	M14	72	5.0
63x10/20/40	190	130	160	138	73	50	35	22	46	13.0	95.0	16	12.5	M14	90	5.0
80x10/20	205	145	175	165	93	50	40	36	50	14.0	102.5	16	17.3	M20	110	6.0