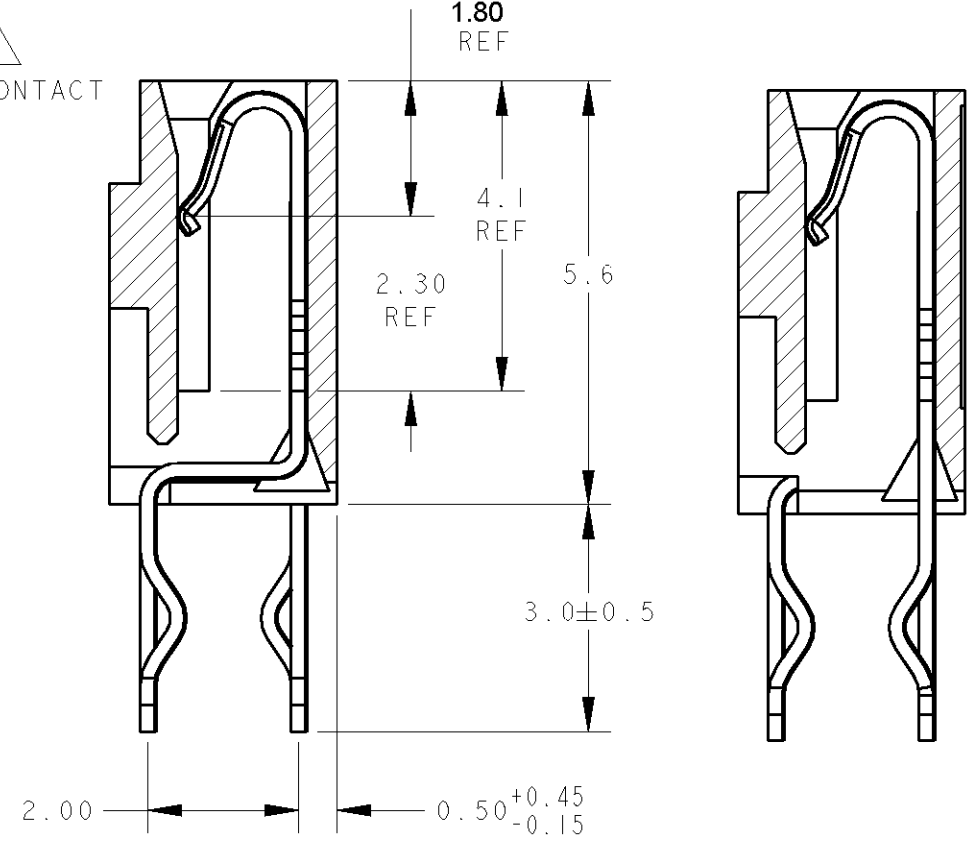
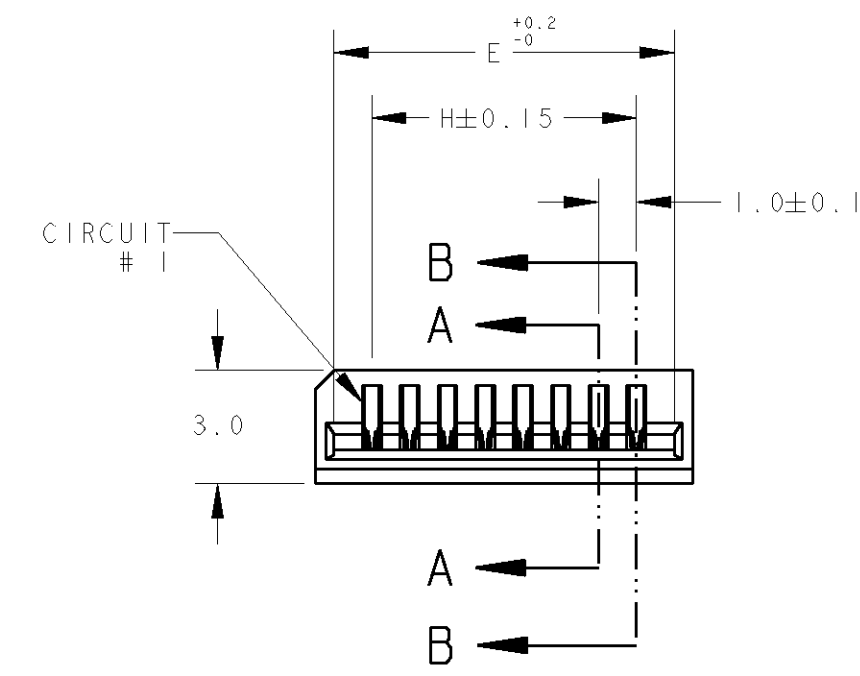
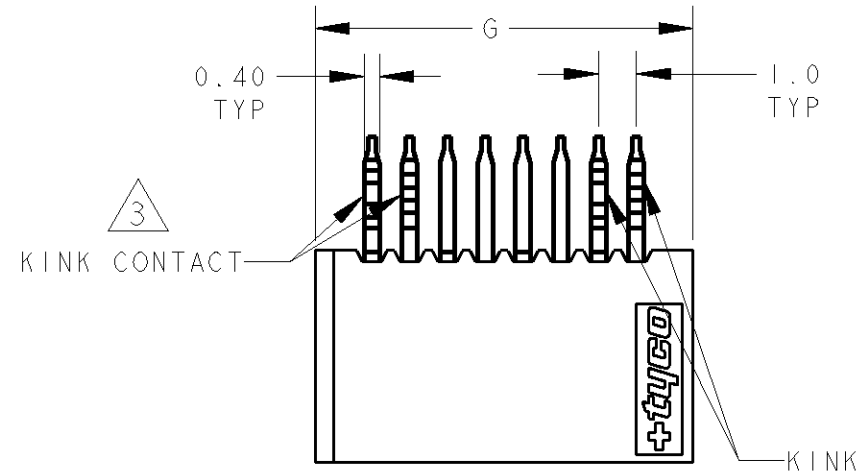


THIS DRAWING IS UNPUBLISHED. RELEASED FOR PUBLICATION .19
 © COPYRIGHT 19 BY AMP INCORPORATED. ALL RIGHTS RESERVED.

LOC	DIST	REVISIONS			
P	LTR	DESCRIPTION	DATE	DWN	APVD
D2		REVISED ECR-09-003866	19FEB09	LYM	LSF
D3		REVISED PER ECO-09-022178	24SEP09	KK	AEG

- NOTES:
- 1 MATERIAL:
HOUSING: GLASS FILLED PBT, NATURAL COLOR (WHITE)
CONTACT: PHOSPHOR BRONZE
 - 2 FINISH: MATTE TIN OVER NICKEL UNDERPLATE
 - 3 KINK CONTACTS LOCATION:
8P & BELOW: ALL POSITIONS
9P & ABOVE: 4 CONTACTS (2 PAIRS) EACH END
 - 4 PACKAGING: TUBE
 - 5 OBSOLETE PARTS: OBSOLETE CIS STREAMLINING PER D.RENAUD/D.SINISI



SECTION A - A (FOR EVEN POSITION CONTACTS) SCALE 10:1
 SECTION B - B (FOR ODD POSITION CONTACTS) SCALE 10:1

STATUS	H	G	F	E	POS.	PART NO.
OBSOLETE	39.00	42.00	41.00	41.00	40	4-84984-0
OBSOLETE	38.00	41.00	40.00	40.00	39	3-▲-9
OBSOLETE	37.00	40.00	39.00	39.00	38	3--8
OBSOLETE	36.00	39.00	38.00	38.00	37	3--7
OBSOLETE	35.00	38.00	37.00	37.00	36	3--6
OBSOLETE	34.00	37.00	36.00	36.00	35	3--5
OBSOLETE	33.00	36.00	35.00	35.00	34	3--4
OBSOLETE	32.00	35.00	34.00	34.00	33	3--3
OBSOLETE	31.00	34.00	33.00	33.00	32	3--2
OBSOLETE	30.00	33.00	32.00	32.00	31	3--1
OBSOLETE	29.00	32.00	31.00	31.00	30	3-84984-0
OBSOLETE	28.00	31.00	30.00	30.00	29	2-▲-9
OBSOLETE	27.00	30.00	29.00	29.00	28	2--8
OBSOLETE	26.00	29.00	28.00	28.00	27	2--7
OBSOLETE	25.00	28.00	27.00	27.00	26	2--6
OBSOLETE	24.00	27.00	26.00	26.00	25	2--5
OBSOLETE	23.00	26.00	25.00	25.00	24	2--4
OBSOLETE	22.00	25.00	24.00	24.00	23	2--3
OBSOLETE	21.00	24.00	23.00	23.00	22	2--2
OBSOLETE	20.00	23.00	22.00	22.00	21	2--1
OBSOLETE	19.00	22.00	21.00	21.00	20	2-84984-0
OBSOLETE	18.00	21.00	20.00	20.00	19	1-▲-9
OBSOLETE	17.00	20.00	19.00	19.00	18	1--8
OBSOLETE	16.00	19.00	18.00	18.00	17	1--7
OBSOLETE	15.00	18.00	17.00	17.00	16	1--6
OBSOLETE	14.00	17.00	16.00	16.00	15	1--5
OBSOLETE	13.00	16.00	15.00	15.00	14	1--4
OBSOLETE	12.00	15.00	14.00	14.00	13	1--3
OBSOLETE	11.00	14.00	13.00	13.00	12	1--2
OBSOLETE	10.00	13.00	12.00	12.00	11	1--1
OBSOLETE	9.00	12.00	11.00	11.00	10	1-84984-0
OBSOLETE	8.00	11.00	10.00	10.00	9	▲-9
OBSOLETE	7.00	10.00	9.00	9.00	8	-8
OBSOLETE	6.00	9.00	8.00	8.00	7	-7
OBSOLETE	5.00	8.00	7.00	7.00	6	-6
OBSOLETE	4.00	7.00	6.00	6.00	5	-5
OBSOLETE	3.00	6.00	5.00	5.00	4	84984-4

THIS DRAWING IS A CONTROLLED DOCUMENT FOR AMP INCORPORATED. IT IS SUBJECT TO CHANGE AND THE CONTROLLING ENGINEERING ORGANIZATION SHOULD BE CONTACTED FOR THE LATEST REVISION.		DWN WYLEE	15JUN04	Tyco Electronics Singapore Pte. Ltd.	
DIMENSIONS: mm		CHK LP TAN	APVD SF L FONG	NAME ASSY, 1.00mm FFC CONN DIP, V	
TOLERANCES UNLESS OTHERWISE SPECIFIED: 0 PLC ±0.30 1 PLC ±0.30 2 PLC ±0.30 3 PLC ± 4 PLC ± ANGLES ±3°		PRODUCT SPEC 108-51058	APPLICATION SPEC -	SIZE A3	CAGE CODE 00779
MATERIAL 1	FINISH 2	WEIGHT -	DRAWING NO C-84984	SCALE 5:1	SHEET 1 OF 2
CUSTOMER DRAWING			REV D3		

4

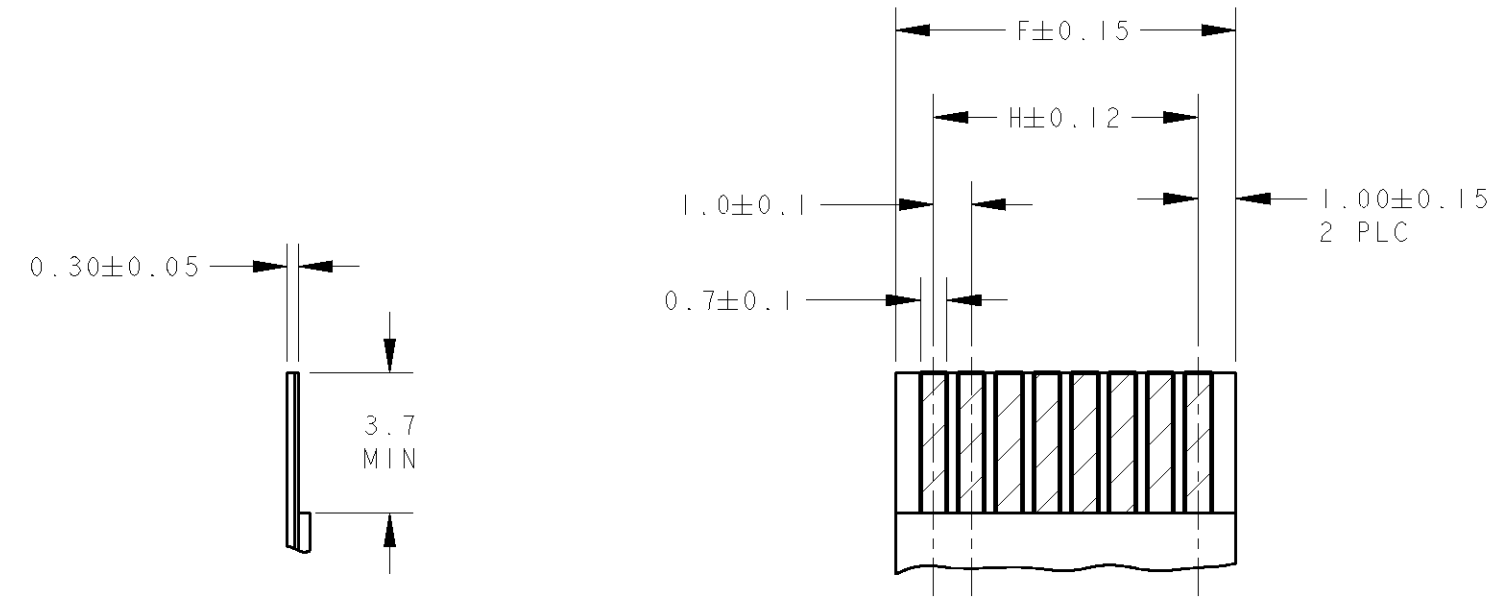
3

2

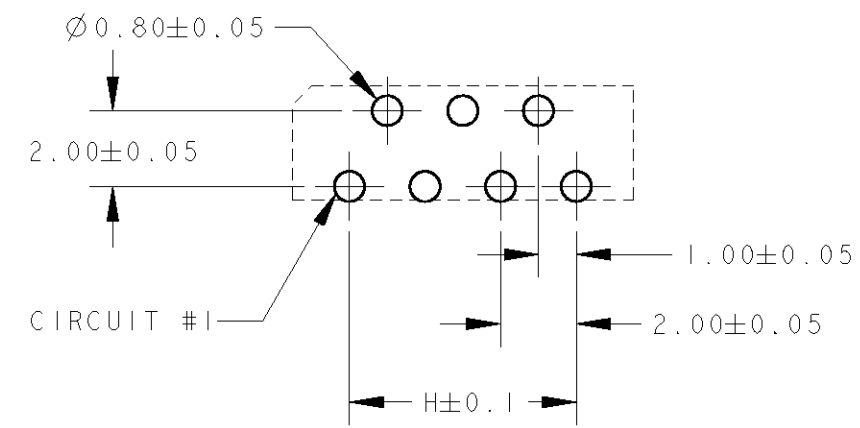
1

THIS DRAWING IS UNPUBLISHED. RELEASED FOR PUBLICATION .19 .
 © COPYRIGHT 19 BY AMP INCORPORATED. ALL RIGHTS RESERVED.

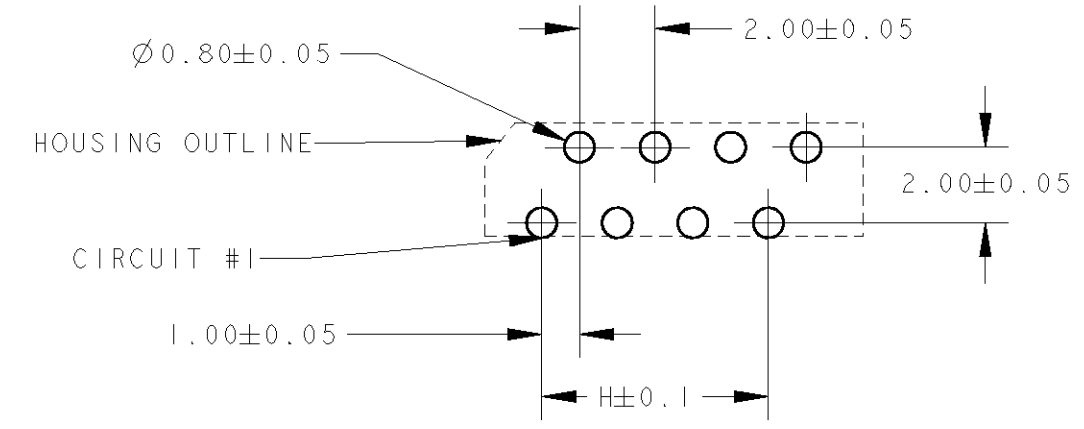
LOC	DIST	REVISIONS			
P	LTR	DESCRIPTION	DATE	DWN	APVD
DY	-	SEE SHEET 1			



RECOMMENDED FFC/FPC



RECOMMENDED PCB LAYOUT (THK= 1.6±0.1)
 (FOR ODD POSITION CONNECTORS)
 NON-ACCUMULATIVE TOLERANCE



RECOMMENDED PCB LAYOUT (THK= 1.6±0.1)
 (FOR EVEN POSITION CONNECTORS)
 NON-ACCUMULATIVE TOLERANCE

THIS DRAWING IS A CONTROLLED DOCUMENT FOR AMP INCORPORATED. IT IS SUBJECT TO CHANGE AND THE CONTROLLING ENGINEERING ORGANIZATION SHOULD BE CONTACTED FOR THE LATEST REVISION.		DWN WYLEE	15JUN04	Tyco Electronics Singapore Pte. Ltd.	
DIMENSIONS: mm		CHK LP TAN	APVD SE J FONG	NAME ASSY, 1.00mm FFC CONN DIP, V	
TOLERANCES UNLESS OTHERWISE SPECIFIED: 0 PLC ±0.30 1 PLC ±0.30 2 PLC ±0.30 3 PLC ± 4 PLC ± ANGLES ±3°		PRODUCT SPEC 108-51058	APPLICATION SPEC -	SIZE A3	CAGE CODE 00779
MATERIAL 1	FINISH 2	WEIGHT -	DRAWING NO C-84984	SCALE 5:1	SHEET 2 OF 2
CUSTOMER DRAWING			REV D3		