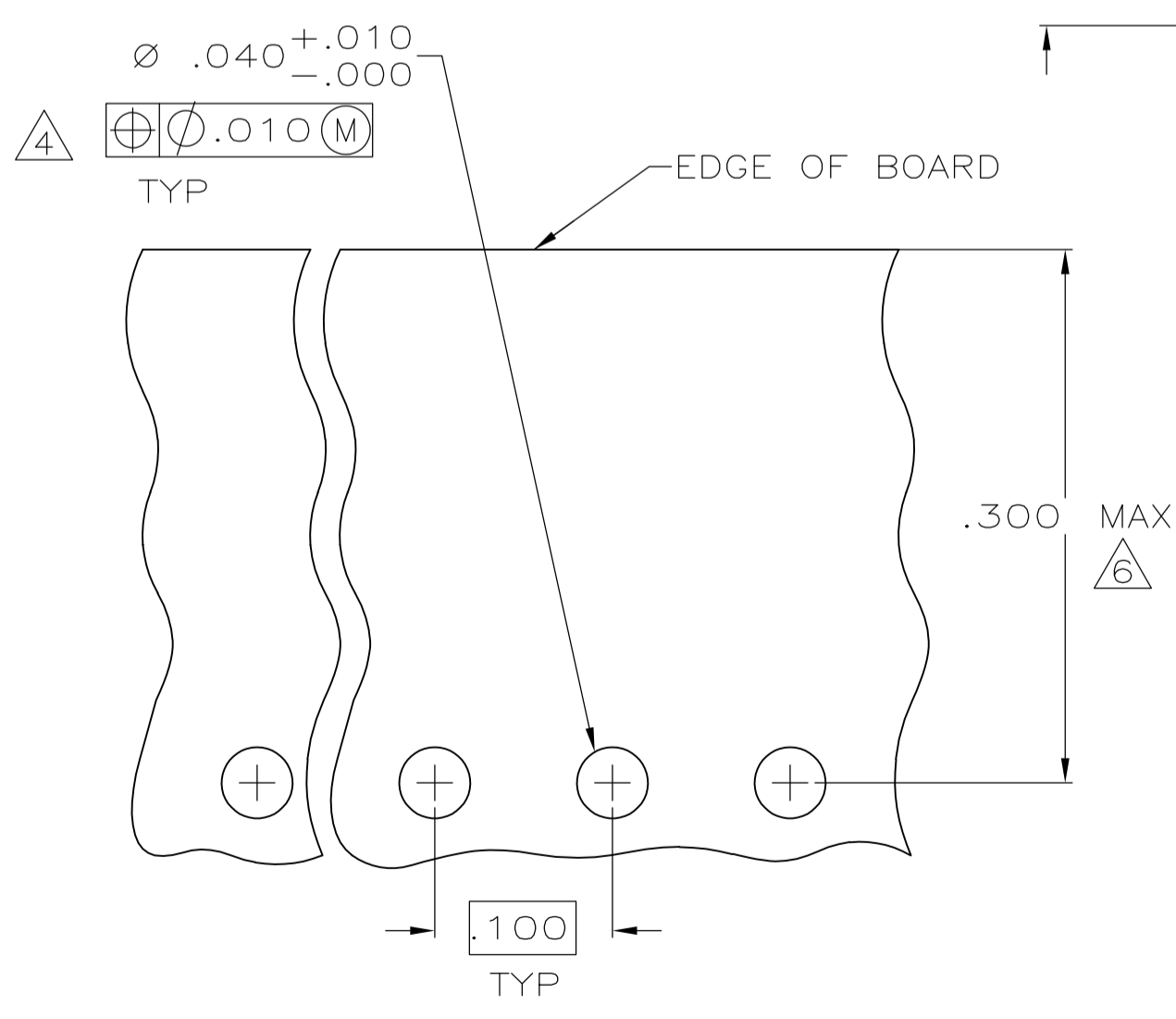
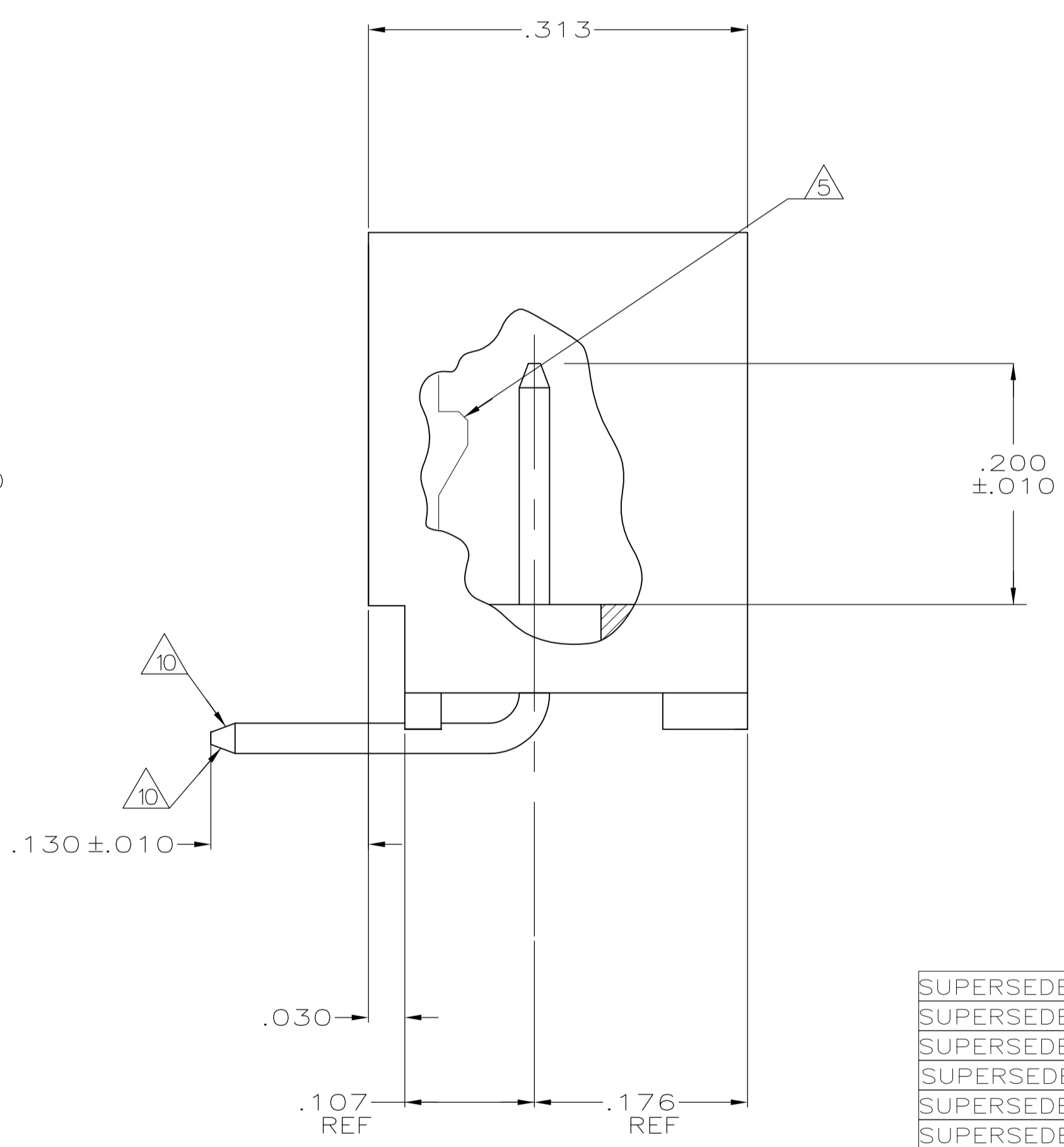
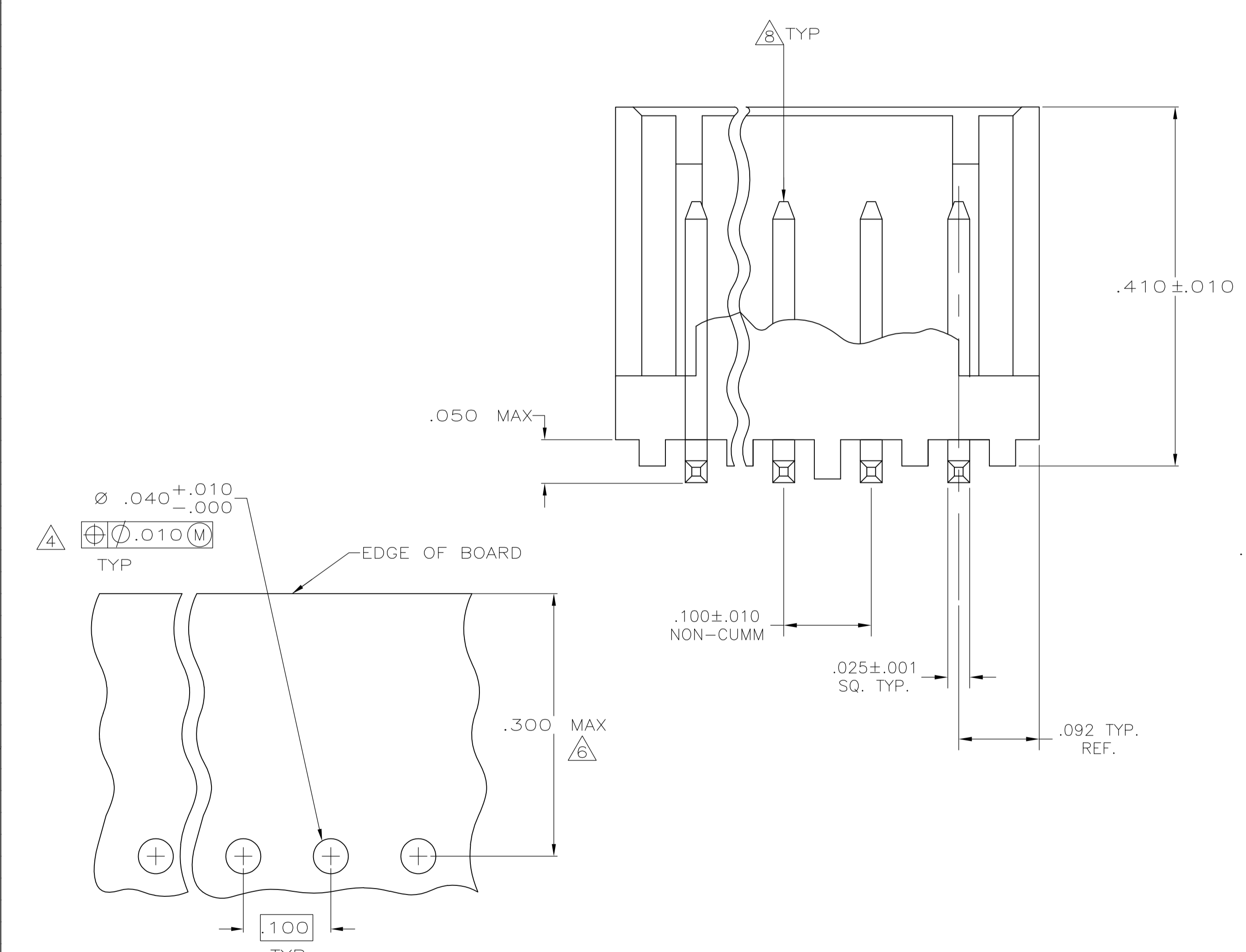


POSSIBLE MARKING CONFIGURATIONS
SCALE 5:1

- 1 MATERIAL: HEADER- POLYESTER UL94V-0 (BLACK)
POST- COPPER ALLOY.
- 2 SOLDER SIDE OF P.C. BOARD SHOWN.
- 3 PARTS COMPLY WITH AMP SOLDERABILITY SPEC 109-11-2.
- 4 ONE HOLE MAY BE UNDERSIZED (.032-.035 DIA) FOR
ASSEMBLY RETENTION DURING WAVE SOLDERING.
- 5 LATCH DETENT FEATURE OCCURS 2 PLACES ON EACH END
(MAXIMUM OF FOUR PER PART). FOR 2 THRU 5 CIRCUIT
HEADERS, LATCH FEATURE OCCURS BETWEEN EACH CIRCUIT.
- 6 COORDINATE DIMENSION APPLIES FROM CENTER OF
ACTUAL FEATURE.
- 7 POST: 100% BRIGHT TIN PLATED.
- 8 POST MUST WITHSTAND 3.0 (13.34 NEWTONS) LBS MIN
FORCE WITHOUT DISLODGING, EITHER DIRECTION.
- 9 UL AND CSA LOGO WILL APPEAR IN THIS AREA.
AMP LOGO MAY APPEAR IN THIS AREA OR ON BOTTOM OF PART.
- 10 TWO SIDES OF TAPER, AS SHOWN, MUST BE PLATED.
TYPICAL, BOTH ENDS.
- 11 TWO SIDES OF TAPER, AS SHOWN, AND TIP MAY BE UNPLATED.
TYPICAL, BOTH ENDS.
- 12 POST: MATTE TIN-LEAD (93/7) PLATED.



RECOMMENDED MOUNTING HOLE PATTERN FOR .063 THK PRINTED CIRCUIT BOARD

| | | | | | |
|------|------|------|------|------|-------|
| .035 | 0.89 | .176 | 4.47 | - | - |
| .032 | 0.81 | .130 | 3.3 | - | - |
| .030 | 0.76 | .107 | 2.72 | - | - |
| .025 | 0.64 | .100 | 2.54 | - | - |
| .010 | 0.25 | .092 | 2.34 | .410 | 10.41 |
| .005 | 0.13 | .063 | 1.6 | .313 | 7.95 |
| .001 | 0.03 | .050 | 1.27 | .300 | 7.62 |
| .000 | 0 | .040 | 1.02 | .200 | 5.08 |
| IN | MM | IN | MM | IN | MM |

CONVERSION TABLE

~~SUPERSEDED BY 3-644488-4~~
~~SUPERSEDED BY 3-644488-3~~
~~SUPERSEDED BY 3-644488-2~~
~~SUPERSEDED BY 3-644488-1~~
~~SUPERSEDED BY 3-644488-0~~
~~SUPERSEDED BY 2-644488-9~~
~~SUPERSEDED BY 2-644488-8~~
~~SUPERSEDED BY 2-644488-7~~
~~SUPERSEDED BY 2-644488-6~~
~~SUPERSEDED BY 2-644488-5~~
~~SUPERSEDED BY 2-644488-4~~
~~SUPERSEDED BY 2-644488-3~~
~~SUPERSEDED BY 2-644488-2~~

| | | | | | |
|-----|----|-------|-------|----|------------|
| YES | 7 | 1.484 | 37.69 | 14 | 3-644488-4 |
| | | 1.384 | 35.15 | 13 | 3-644488-3 |
| | | 1.284 | 32.61 | 12 | 3-644488-2 |
| | | 1.184 | 30.07 | 11 | 3-644488-1 |
| | | 1.084 | 27.53 | 10 | 3-644488-0 |
| | | .984 | 24.99 | 9 | 2-644488-9 |
| | | .884 | 22.45 | 8 | 2-644488-8 |
| | | .784 | 19.91 | 7 | 2-644488-7 |
| | | .684 | 17.37 | 6 | 2-644488-6 |
| | | .584 | 14.83 | 5 | 2-644488-5 |
| | | .484 | 12.29 | 4 | 2-644488-4 |
| | | .384 | 9.75 | 3 | 2-644488-3 |
| | | .284 | 7.21 | 2 | 2-644488-2 |
| NO | 12 | 1.484 | 37.69 | 14 | 1-644488-4 |
| | | 1.384 | 35.15 | 13 | 1-644488-3 |
| | | 1.284 | 32.61 | 12 | 1-644488-2 |
| | | 1.184 | 30.07 | 11 | 1-644488-1 |
| | | 1.084 | 27.53 | 10 | 1-644488-0 |
| | | .984 | 24.99 | 9 | 1-644488-9 |
| | | .884 | 22.45 | 8 | 1-644488-8 |
| | | .784 | 19.91 | 7 | 1-644488-7 |
| | | .684 | 17.37 | 6 | 1-644488-6 |
| | | .584 | 14.83 | 5 | 1-644488-5 |
| | | .484 | 12.29 | 4 | 1-644488-4 |
| | | .384 | 9.75 | 3 | 1-644488-3 |
| | | .284 | 7.21 | 2 | 1-644488-2 |

| | | | | | |
|----------|--------|----|----|-----------------|-------------|
| LEADFREE | FINISH | IN | MM | NO OF POSITIONS | PART NUMBER |
| | | L | | HEADER ASSEMBLY | |

THIS DRAWING IS A CONTROLLED DOCUMENT.

| | | | |
|--------------------|--|----------------------------|---|
| DIMENSIONS: INCHES | TOLERANCES UNLESS OTHERWISE SPECIFIED: | DIN S. CARPENTER 27MAY2003 | |
| 0 PLC ± - | 1 PLC ± - | 28MAY2003 | |
| 2 PLC ± - | 3 PLC ± .005 | APVD D. ROSSI 28MAY2003 | TE Connectivity |
| 4 PLC ± - | ANGLES ± - | NAME | MTA-100 SHROUDED HEADER ASSEMBLY, FRICTION LOCK, RIGHT ANGLE POST, TIN OR TIN LEAD PLATED |
| MATERIAL | FINISH | APPLICATION SPEC | SIZE CASE CODE DRAWING NO RESTRICTED TO |
| 1 | SEE TABLE | WEIGHT | A1 00779 C=644488 - |
| | | CUSTOMER DRAWING | SCALE 10:1 SHEET 1 OF 1 REV K1 |

