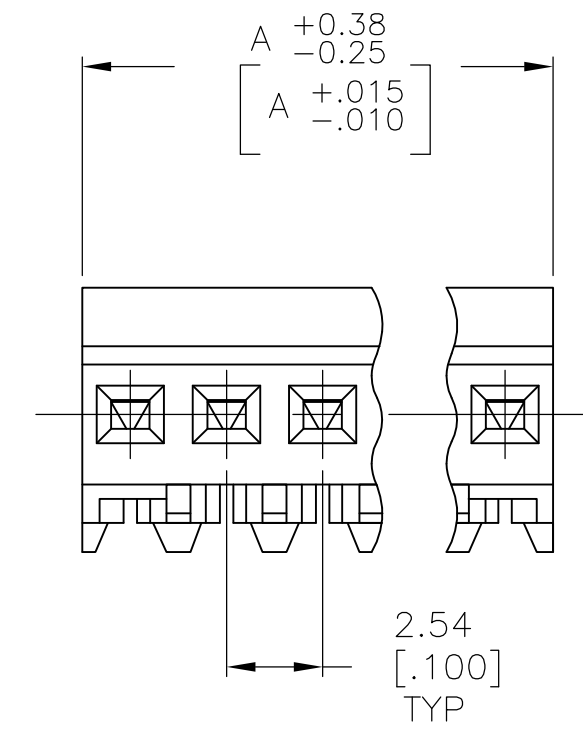
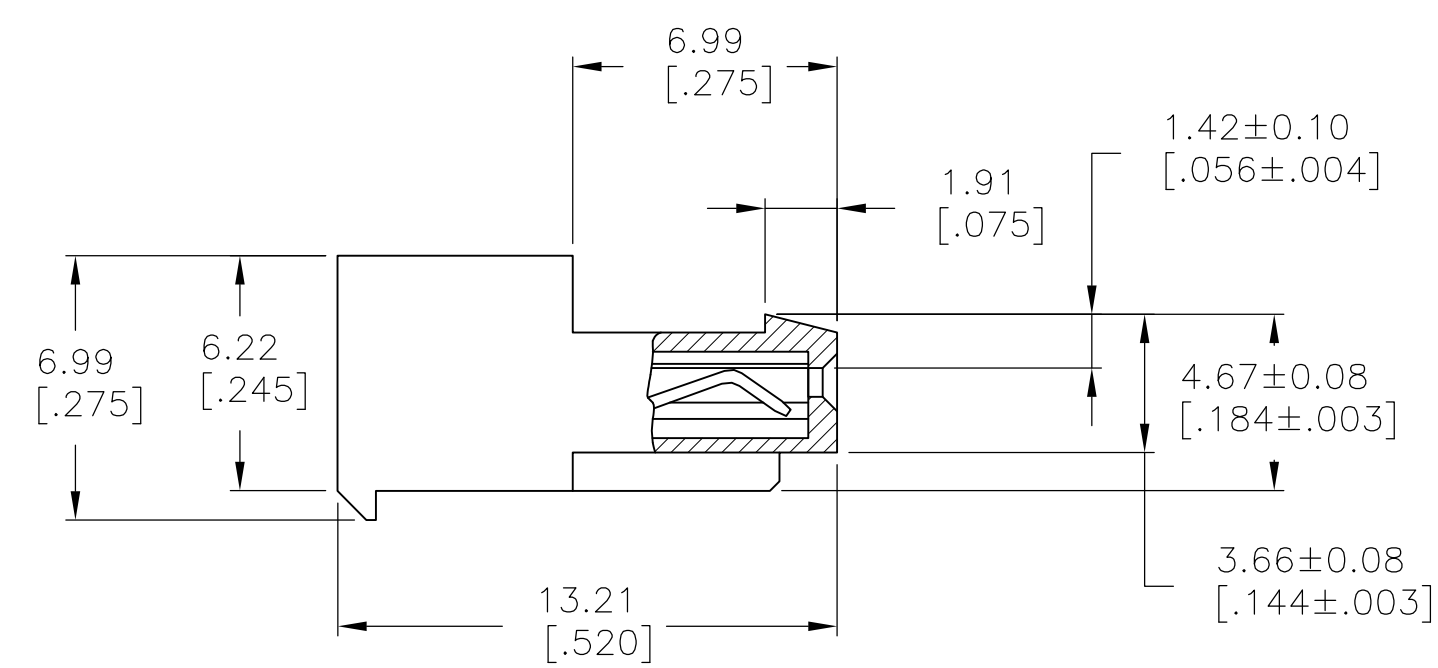
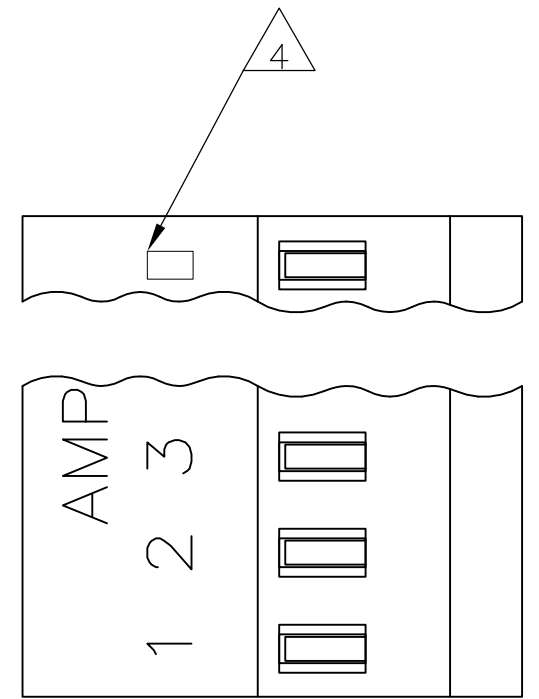


THIS DRAWING IS UNPUBLISHED. RELEASED FOR PUBLICATION
 © COPYRIGHT - By - ALL RIGHTS RESERVED.

LOC	DIST	REVISIONS					
CM	00	P	LTR	DESCRIPTION	DATE	DWN	APVD
		P1		REVISED PER ECO-11-004917	11MAR11	RK	HMR



12.70[.500]	5	3-641536-5
7.62[.300]	3	3-641536-3
5.08[.200]	2	3-641536-2

1 MATERIAL: CONNECTOR-NYLON UL94V-2 (BLUE).
 CONTACTS-0.30 [.012] THICK COPPER ALLOY
 BRIGHT TIN-LEAD 0.00203 [.000080] MINIMUM THICK FOR CONTACTS
 641536-2 THRU 1-641536-0,
 MATTE WHISKER MITIGATED TIN PLATE 0.00203 [.000080] MINIMUM THICK OVER
 NICKEL UNDERPLATE FOR CONTACTS 3-641536-2 THRU 4-641536-0.

- 2. CONTACTS ACCEPT 26 AWG WIRE WITH 1.52[.060] MAX INSULATION DIAMETER.
- 3. CONTACTS MUST ACCEPT 0.36-0.51[.014-.020] SQUARE OR ROUND POST AND REMAIN LOCKED IN POSITION.

- 4 IDENTIFICATION NUMBER FOR LAST CIRCUIT MAY NOT APPEAR ON ALL ASSEMBLIES.
- 5. DIMENSIONS IN BRACKETS ARE IN INCHES.
- 6. HOUSING FEATURES ARE: CLOSED END WITH LOCKING RAMP & LED CONTACT.

12.70[.500]	5	641536-5
7.62[.300]	3	641536-3
5.08[.200]	2	641536-2
DIM A	NO. OF CIRCUITS	PART NO.

METRIC

THIS DRAWING IS A CONTROLLED DOCUMENT.		DWN S. CARPENTER 08AUG2003	TE Connectivity	
DIMENSIONS: mm [INCHES]		CHK S. CARPENTER 08AUG2003		
TOLERANCES UNLESS OTHERWISE SPECIFIED:		APVD S. CARPENTER 08AUG2003	NAME	
0 PLC ± - 1 PLC ± - 2 PLC ± - 3 PLC ± - 4 PLC ± - ANGLES ± -		PRODUCT SPEC 108-1050	MTA-100 CONNECTOR ASSEMBLY, 26 AWG, FOR .014 TO .020 POST, SPECIAL	
MATERIAL		APPLICATION SPEC 114-1019	SIZE A2	CAGE CODE 00779
FINISH		WEIGHT -	DRAWING NO C-641536	RESTRICTED TO -
		CUSTOMER DRAWING		SCALE 5:1
		SHEET 1 of 1		REV P1