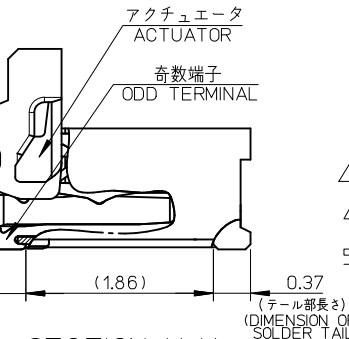
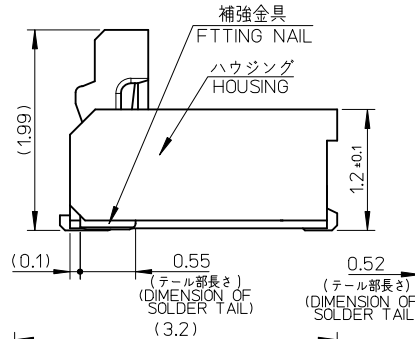
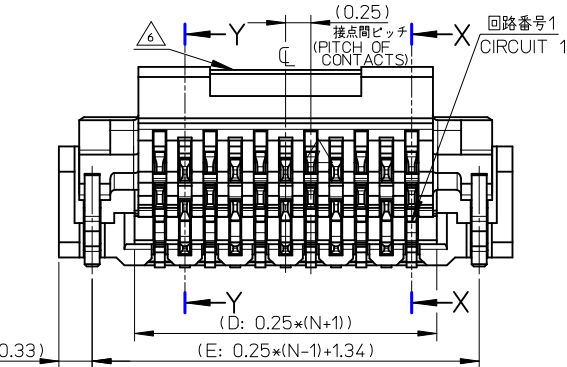
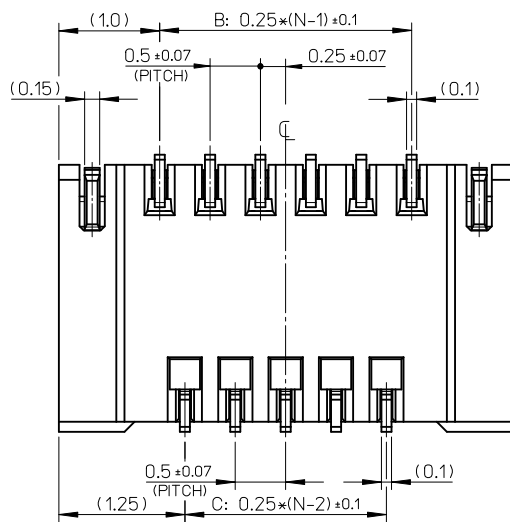
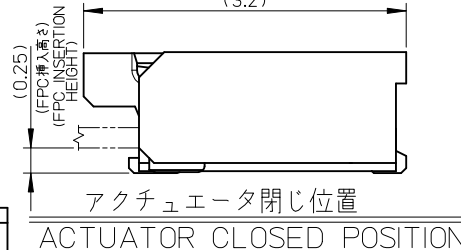


SECTION Y-Y



SECTION X-X



注記 NOTES

1. 使用材料 MATERIALS
 - ハウジング : 液晶ポリマー (UL94V-0、黒色)
 - アクチュエータ : ポリアミド樹脂 (UL94V-0、ベージュ)
 - 奇数端子 : リン青銅
 - 偶数端子 : リン青銅
 - 補強金具 : リン青銅
 - HOUSING : G.F. LCP (BLACK)
 - ACTUATOR : G.F. POLYAMIDE (BEIGE)
 - ODD TERMINAL : PHOSPHOR BRONZE
 - EVEN TERMINAL : PHOSPHOR BRONZE
 - FITTING NAIL : PHOSPHOR BRONZE

2. メッキ仕様 PLATING

- 端子 TERMINAL
- テール部 : 金メッキ
 - 接点部 : 金メッキ 0.14μm 以上
 - 下地 : ニッケルメッキ 1.04μm 以上
 - TAIL AREA : Gold PLATING
 - CONTACT AREA : Gold PLATING 0.14μm MINIMUM
 - UNDER-PLATING : Nickel PLATING 1.04μm MINIMUM
- 金具 FITTING NAIL
- 全面 : スズメッキ 1.04μm 以上
 - 下地 : ニッケルメッキ 1.04μm 以上
 - ALL OVER : Tin PLATING 1.04μm MINIMUM
 - UNDER PLATING : Nickel PLATING 1.04μm MINIMUM

△ 端子、補強金具のコプラナリティは 0.1 以下とする
COPLANALITY OF SOLDER TAILS AND FITTING NAILS : 0.1MAX.

4. 一般公差 : ±0.3
GENERAL TOLERANCES: ±0.3

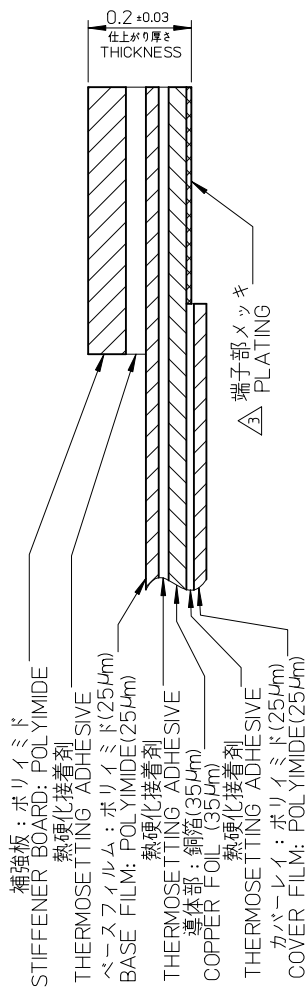
5. ELV 及び RoHS 適合品
ELV AND ROHS COMPLIANT

△ ゲート部形状とする
本形状は極数により異なります
THIS SHAPE IS FOR GATE
IT DEPENDS ON THE NUMBER OF CIRCUITS

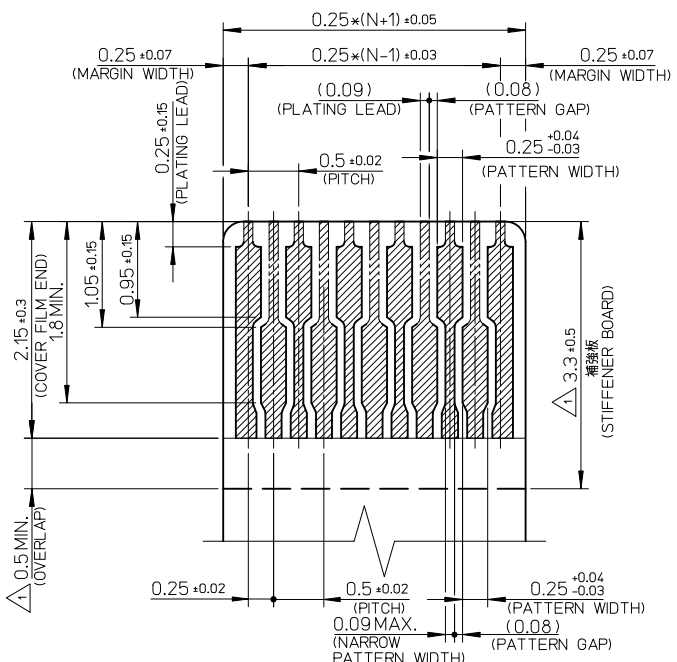
14.34	13.5	12.5	13	15		503300-5310	53
11.84	11	10	10.5	12.5		503300-4310	43
11.34	10.5	9.5	10	12		503300-4110	41
8.34	7.5	6.5	7	9		503300-2910	29
6.34	5.5	4.5	5	7		503300-2110	21
						ORDER NO.	
E	D	C	B	A		EMBOSSED TAPE PACKAGE	CIRCUITS

CONNECTOR SERIES NO. 503300-***18

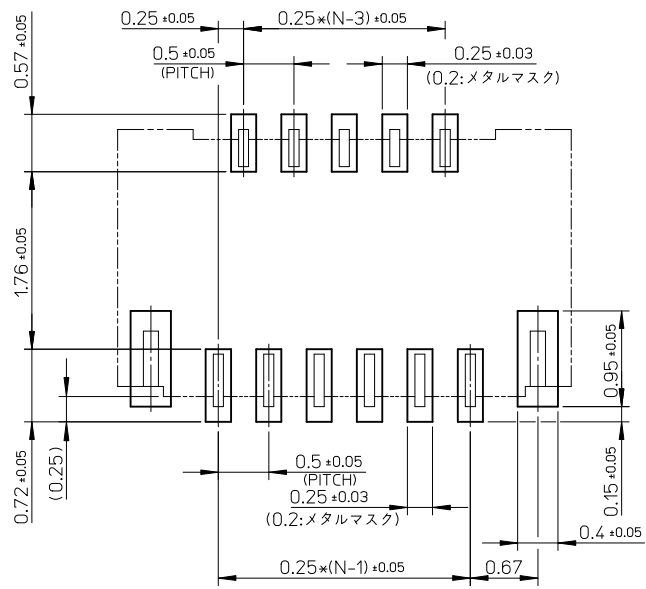
REVISED EC NO: J2012-0851 DRWN: MNIITA 2011/12/28 CHKD: SHOSHIKAWA 2011/12/28 APPR: SHOSHIKAWA 2012/01/05	GENERAL TOLERANCES (UNLESS SPECIFIED)		DIMENSION STYLE MM ONLY		SCALE 20:1		DESIGN UNITS METRIC		THIRD ANGLE PROJECTION	
	10 UNDER	± ---	DRAWN BY MNIITA	DATE 2010/08/23	TITLE 0.25 PITCH FPC CONN. E/O HGT=1.2 UPR CONTACT TYPE LOW-HALOGEN					
	10 OVER 30 UNDER	± ---	CHECKED BY SHOSHIKAWA	DATE 2010/08/24	MOLEX INCORPORATED					
	30 OVER	± ---	APPROVED BY SHOSHIKAWA	DATE 2010/08/27	DOCUMENT NO. SD-503300-001					
A	REV	ANGULAR ±1 °	DRAFT WHERE APPLICABLE MUST REMAIN WITHIN DIMENSIONS		MATERIAL NO. SEE CHART		SHEET NO. 1 OF 2		INCORPORATED AND SHOULD NOT BE USED WITHOUT WRITTEN PERMISSION	



FPC 構成材料例
EXAMPLE OF FPC COMPOSITION MATERIAL



適合するFPC 推奨寸法
APPLICABLE FPC RECOMMENDED DIMENSION
(端子部仕上がり厚さ: 0.2±0.03)
(THICKNESS: 0.2±0.03)



注記 NOTES

- 補強板長さが図面通り確保できない場合は、カバーレイと補強板のオーバーラップ寸法を0.5mm以上としてください
WHEN STIFFENER BOARD DIMENSION CAN NOT BE SECURE AS DRAWING, PLEASE GIVE THE OVERLAP SIZE OF COVER FILM AND STIFFENER BOARD AS 0.5mm MINIMUM
- 推奨ペースト厚 : 100μm
推奨マスク開口率 : 80%
RECOMMEND SCREEN THICKNESS : 100μm
RECOMMEND SCREEN OPEN RATIO : 80%

- FPCパターンのメッキ仕様は
金メッキ : 0.1μm以上
下地ニッケルメッキ : 2~6μm
FPC PATTERN PLATING
GOLD PLATING : 0.1μm MINIMUM
NICKEL UNDER PLATING : 2~6μm

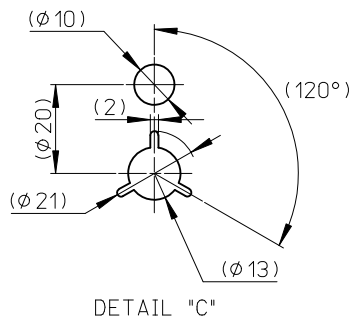
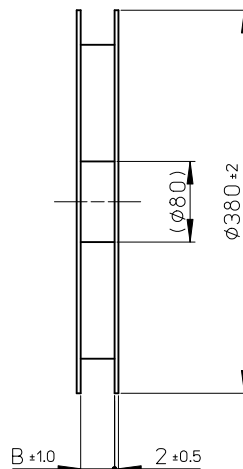
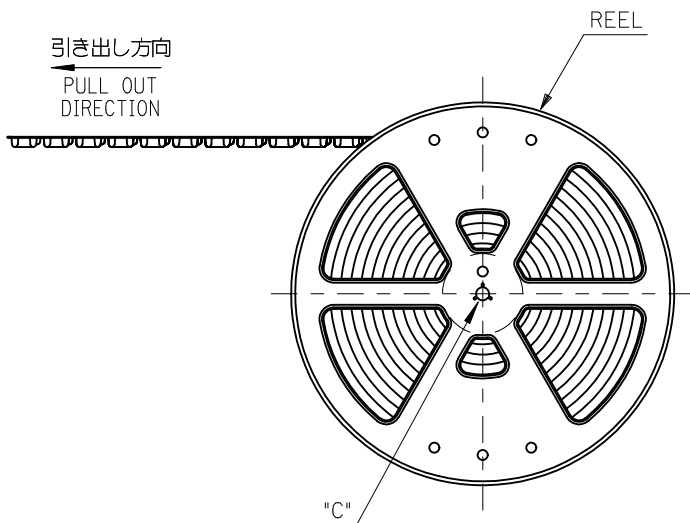
4 FPCについて (ABOUT FPC)
抜き方向は、導体側から補強板側を推奨します
補強板材質は、ポリイミドを推奨します
接着剤は熱硬化接着剤を推奨します
なお、接着剤の接点部への付着は導通不良の原因となりますので染み出しがないよう、お願いします
RECOMMENDED PUNCHER DIRECTION:
FROM CONDUCTOR SIDE TO STIFFENER BOARD SIDE
RECOMMENDED MATERIAL:
STIFFENER BOARD: POLYIMIDE
BONDING AGENT: THERMOSETTING AGENT
PLEASE PUT APPROPRIATE AMOUNT OF ADHESIVE ON THE CONTACT AREA BECAUSE THE EXTRA ADHESIVE MAY CAUSE THE DEFECT IN ELECTRICAL CONTINUITY

REVISED EC NO: J2012-0851 DRAWN: MIIITA 2011/12/28 CHKD: SHOSHIKAWA 2011/12/28 APPR: SHOSHIKAWA 2012/01/05	DESCRIPTION 10 UNDER 10 OVER 30 UNDER 30 OVER ANGULAR ±1 ° DRAFT WHERE APPLICABLE MUST REMAIN WITHIN DIMENSIONS	GENERAL TOLERANCES (UNLESS SPECIFIED)		DIMENSION STYLE MM ONLY	SCALE 20:1	DESIGN UNITS METRIC	THIRD ANGLE PROJECTION	
		10 UNDER ±---	10 OVER 30 UNDER ±---	30 OVER ±---	DRAWN BY MIIITA	DATE 2010/08/23	TITLE 0.25 PITCH FPC CONN. E/O HGT=1.2 UPR CONTACT TYPE LOW-HALOGEN	
		ANGULAR ±1 °	DRAFT WHERE APPLICABLE MUST REMAIN WITHIN DIMENSIONS		CHECKED BY SHOSHIKAWA	DATE 2010/08/24	MOLEX INCORPORATED	
		SEE SHEET 1	THIS DRAWING CONTAINS INFORMATION THAT IS PROPRIETARY TO MOLEX INCORPORATED AND SHOULD NOT BE USED WITHOUT WRITTEN PERMISSION		APPROVED BY SHOSHIKAWA	DATE 2010/08/27	MATERIAL NO.	DOCUMENT NO. SD-503300-001

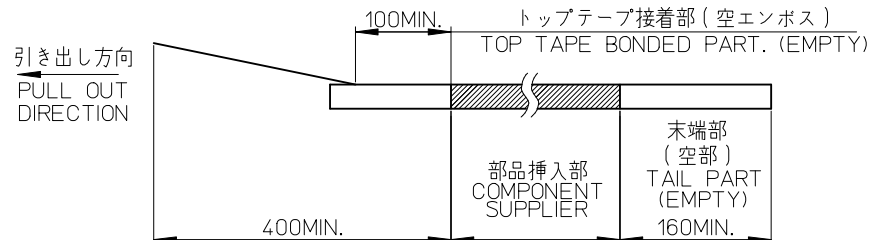
注記 NOTES

- 製品詳細寸法については図面 SD-503300-001 を参照下さい。
RE DETAILED DIMENSION, SEE SD-503300-001
- 梱包数量：3000 個／リール
NUMBER OF CONNECTORS : 3000 PCS/REEL
- リードテープ長さ LEAD TAPE LENGTH

引き出し方向
PULL OUT
DIRECTION



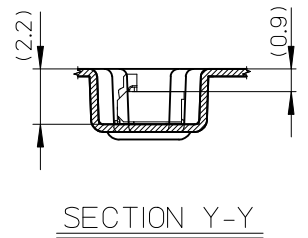
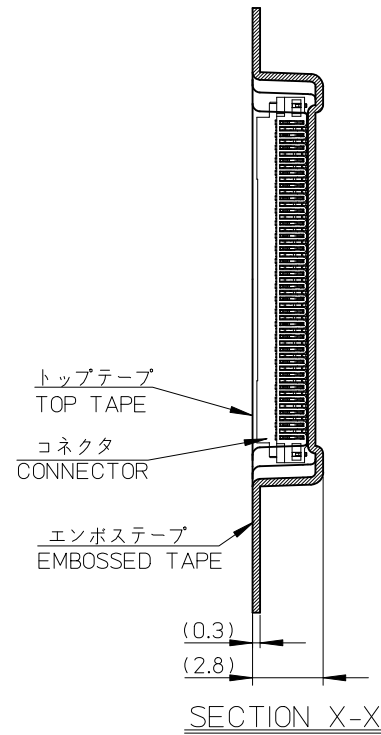
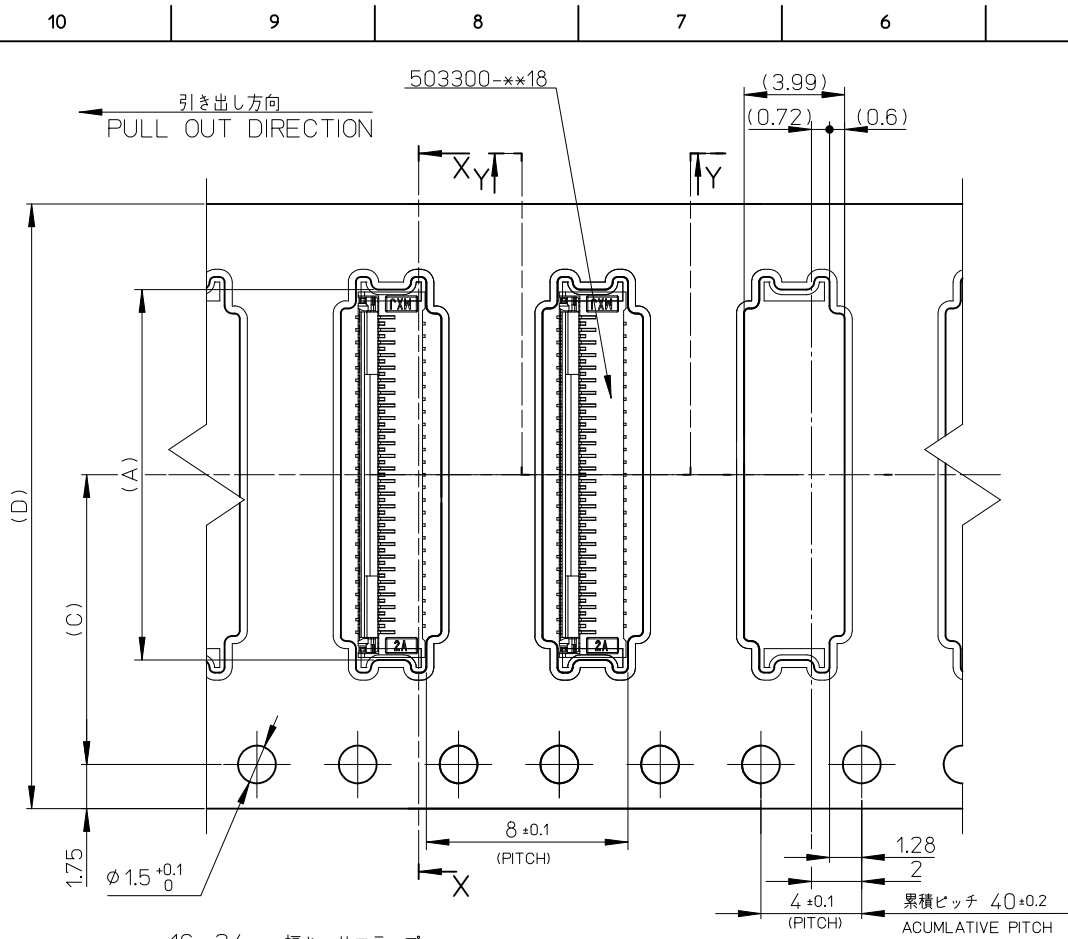
DETAIL "C"



- 材料 MATERIAL
 キャリアテープ (CARRIER TAPE) : ポリスチレン (POLYSTYRENE)
 トップテープ (TOP TAPE) : PET , PE , PEF
 リール (REEL) : ポリスチレン (PS) <リサイクル材を含む>
 POLYSTYRENE (PS) <RECYCLE MATERIAL CONTAINED>
- カバーテープの剝離強度については、IEC60286-3 に準拠
 COVER TAPE PEEL FORCE IS DEFINED BY IEC60286-3.

CONNECTOR SERIES NO. 503300-***10

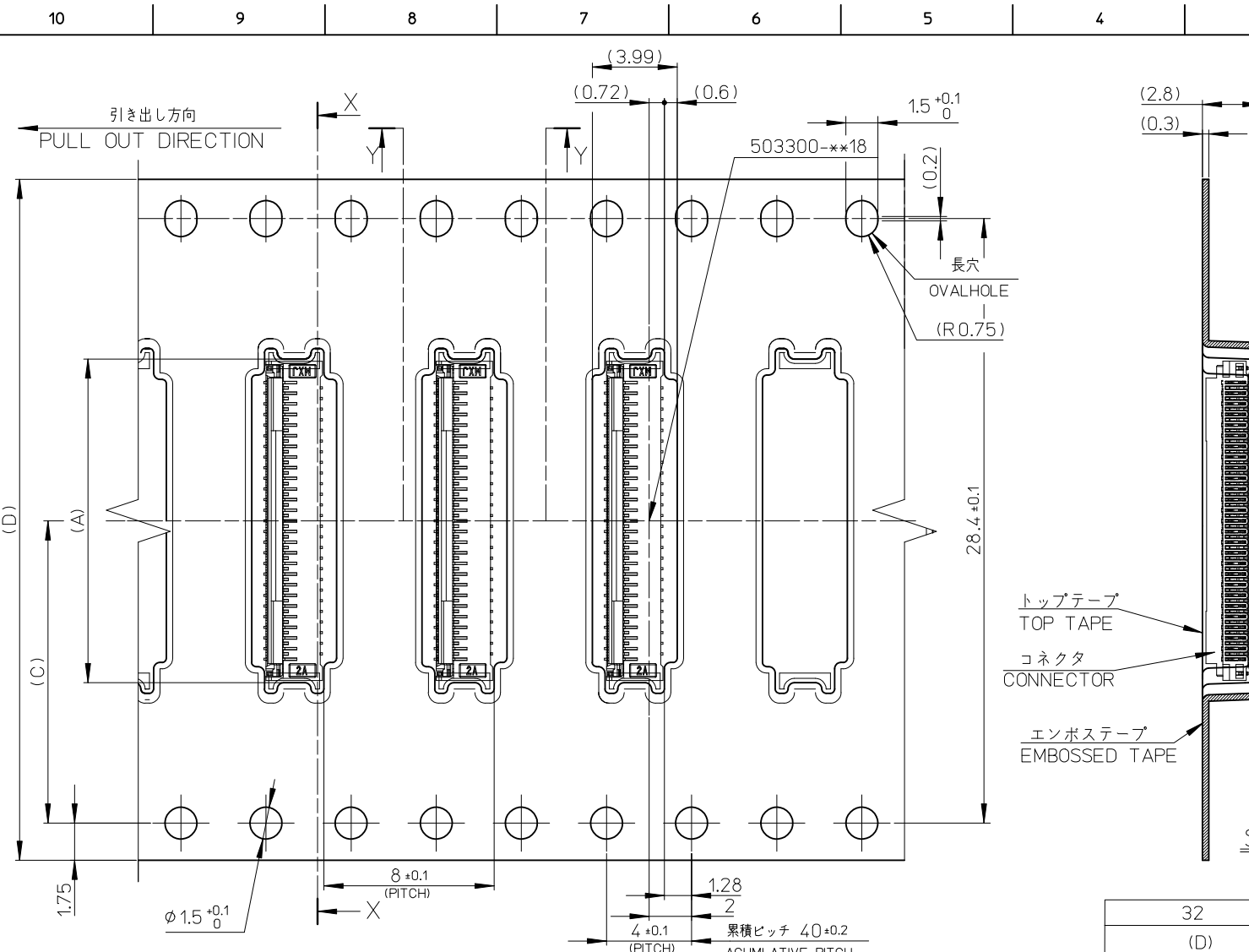
REVISED EC NO: J2012-0851 DRWN: MNIITA 2012/01/05 CHKD: SHOSHIKAWA 2012/01/05 APPR: SHOSHIKAWA 2012/01/05	GENERAL TOLERANCES (UNLESS SPECIFIED)		DIMENSION STYLE MM ONLY	SCALE	DESIGN UNITS METRIC	THIRD ANGLE PROJECTION
	10 UNDER	± 0.2	DRAWN BY MNIITA	DATE 2010/08/24	TITLE 0.25MM FPC CONN. E/O H=1.2 HSG ASSY UPR EMBOSSED TAPE PACKAGE	
	10 OVER 30 UNDER	± 0.25	CHECKED BY SHOSHIKAWA	DATE 2010/08/24	MOLEX INCORPORATED DOCUMENT NO. SD-503300-002 SHEET NO. 1 OF 3	
	30 OVER	± 0.3	APPROVED BY SHOSHIKAWA	DATE 2010/08/27		
ANGULAR	$\pm 1^\circ$	MATERIAL NO. SEE CHART				
DRAFT WHERE APPLICABLE MUST REMAIN WITHIN DIMENSIONS		THIS DRAWING CONTAINS INFORMATION THAT IS PROPRIETARY TO MOLEX INCORPORATED AND SHOULD NOT BE USED WITHOUT WRITTEN PERMISSION				



16, 24mm 幅 キャリアテープ
16, 24mm WIDTH CARRIER TAPE

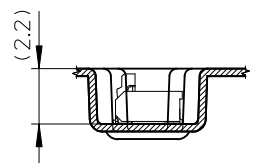
24	11.5	25.4	13.7	503300-4310	43
			13.2	503300-4110	41
			10.2	503300-2910	29
			8.2	503300-2110	21
(D) キャリアテープ幅 CARRIER TAPE WIDTH	(C)	B	(A)	オーダー番号 ORDER NO.	極数 CIRCUITS
			CONNECTOR SERIES NO. 503300-**10		

REVISED EC NO: J2012-0851 DRWN: MNIITA CHKD: SHOSHIKAWA APPR: SHOSHIKAWA	DESCRIPTION 2012/01/05 2012/01/05 2012/01/05	GENERAL TOLERANCES (UNLESS SPECIFIED)		DIMENSION STYLE MM ONLY		SCALE DESIGN UNITS METRIC		THIRD ANGLE PROJECTION	
		10 UNDER	± 0.2	DRAWN BY MNIITA	DATE 2010/08/24	TITLE 0.25MM FPC CONN. E/O H=1.2 HSG ASSY UPR EMBOSSED TAPE PACKAGE			
		10 OVER 30 UNDER	± 0.25	CHECKED BY SHOSHIKAWA	DATE 2010/08/24	APPROVED BY SHOSHIKAWA			
		30 OVER	± 0.3	APPROVED BY SHOSHIKAWA	DATE 2010/08/27	MATERIAL NO. SEE CHART			
		ANGULAR	± 1 °	DRAFT WHERE APPLICABLE MUST REMAIN WITHIN DIMENSIONS		DOCUMENT NO. SD-503300-002		SHEET NO. 2 OF 3	



SECTION X-X

32mm幅キャリアテープ
32mm WIDTH CARRIER TAPE



SECTION Y-Y

32	14.2	33.4	15.2	503300-5310	53
(D) キャリアテープ幅 CARRIER TAPE WIDTH	(C)	B	(A)	製品番号 MATERIAL NO.	極数 CKT.
MODEL NO.				503300-**10	
SCALE		DESIGN UNITS		THIRD ANGLE PROJECTION	
		METRIC		☉ □	

REVISED EC NO.: J2012-0851 DRWN: MIIITA CHKD: SHOSHIKAWA APPR: SHOSHIKAWA	2012/01/05	2012/01/05	2012/01/05	
	DESCRIPTION	GENERAL TOLERANCES (UNLESS SPECIFIED)		
	10 UNDER	±0.2		
	10 OVER 30 UNDER	±0.25		
30 OVER	±0.3			
ANGULAR	±1 °			
DRAFT WHERE APPLICABLE MUST REMAIN WITHIN DIMENSIONS				
A	REV			

DIMENSION STYLE MM ONLY		TITLE	
DRAWN BY MIIITA	DATE 2012/01/05	0.25MM FPC CONN. E/O H=1.2 HSG ASSY UPR EMBOSSED TAPE PACKAGE	
CHECKED BY	DATE	MOLEX INCORPORATED	
APPROVED BY SHOSHIKAWA	DATE 2012/01/05	DOCUMENT NO. SD-503300-002	
MATERIAL NO.	SEE CHART	SHEET NO. 3 OF 3	
THIS DRAWING CONTAINS INFORMATION THAT IS PROPRIETARY TO MOLEX INCORPORATED AND SHOULD NOT BE USED WITHOUT WRITTEN PERMISSION			