



## Product information GM 216 NJ schwarz/black

Industrial Connecting Solutions:Rectangular Connectors:Valve Connectors (Type A -B -C):Type B:Field Attachable Valve Connectors:Valve Connectors (Industrial standard):GM 216 NJ schwarz/black  
<http://e-catalog.hirschmann.com/link/57078-24228-256261-256266-256271-276218-24325-38179/en/conf/ui/state>

Name GM 216 NJ schwarz/black



cable socket with central screw M 3 x 35

### Delivery informations

Availability available

### Product description

Description cable socket with central screw M 3 x 35

Type GM 216 NJ schwarz/black

Order No. 934 456-100

Other standard types grey housing, Order No. 934 456-106

Number of contacts 2 + PE

Cable gland M 16

Conductor size max. 1.5 mm<sup>2</sup>

Standard industrial standard (11 mm)

Housing Color black

Construction type B

### Technical data

Pin dimensions 6.3 mm x 0.8 mm

Rated voltage AC/DC 250 V

Rated current 16 A

Contact resistance <= 4 mOhm

Type of termination screw / cable shoe / cable eye

Suitable cables 4.5 mm to 10 mm diameter

Mounting central screw

### Material

Contact surface material Sn

Contact bearer material PA

Housing material PA

### Environmental conditions

Protection class (IEC 60529) IP 65

Pollution severity 3

Temperature range -40 °C to +125 °C

### Inflammability class

Housing 94 V-1

Contact bearer 94 HB

### Approvals

UR in preparation

VDE in preparation

SEV in preparation

CSA in preparation

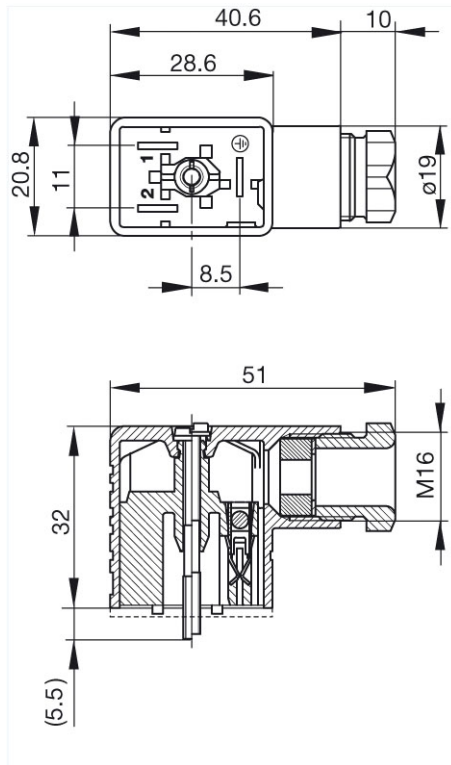
### Packaging unit

Packaging unit 200 pieces

### Scope of delivery and accessories

Accessories to order separately (NBR) flat gasket GM 207-3, Order No. 731 423-002; (EPDM) flat gasket GM 207-7, Order No. 731 755-004; knurled screw GDM 3011-8, Order No. 732 574-001; stainless steel screw GDM 3011 RF-1, Order No. 734 363-001

Picture  
Drawing



**Belden Deutschland GmbH**  
Im Gewerbepark 2  
58579 Schalksmühle  
Germany  
Phone: +49 7127/14-1806  
E-Mail: [icos-sales@belden.com](mailto:icos-sales@belden.com)

The information published in the websites has been compiled as carefully as possible. It is subject to alteration without notice in technical as well as in price-related/commercial respect.  
The complete information and data were available on user documentation. Mandatory information can only be obtained by a concrete query.