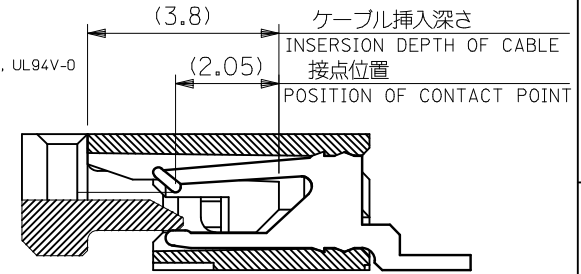
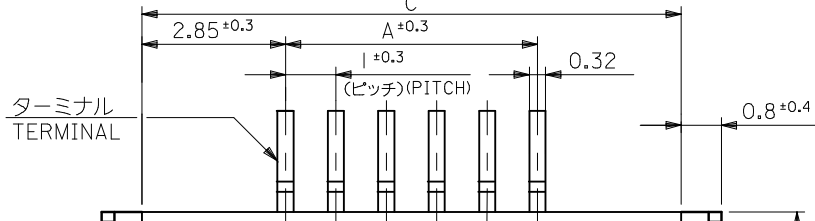
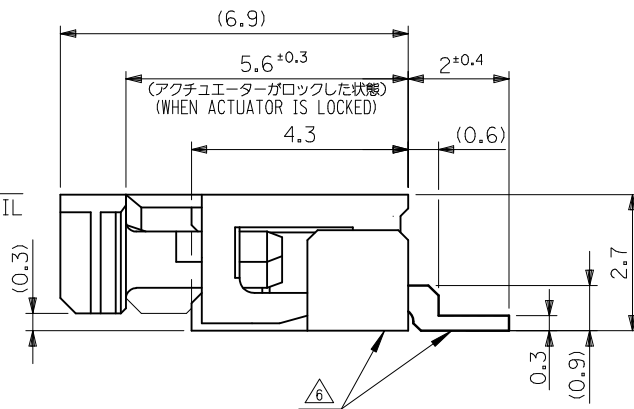
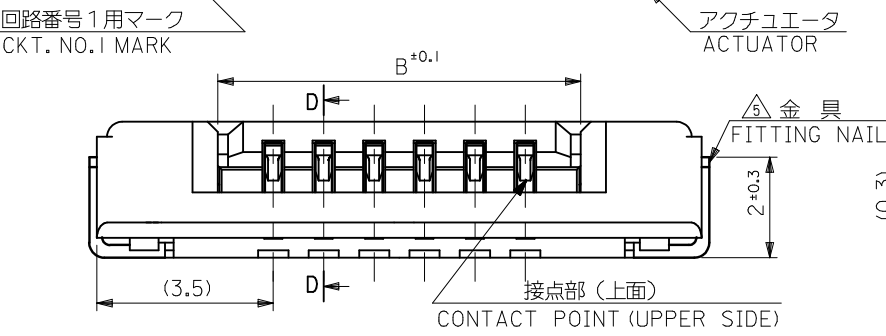
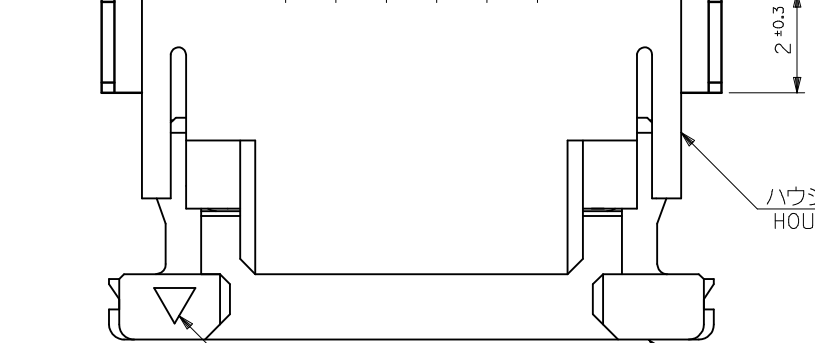


注記 (NOTE) :

1. 材質 MATERIAL
 ハウジング: ポリアミド (PA), ナチュラル (白色), ガラス充填, UL94V-0
 HOUSING: POLYAMIDE, NATURAL (WHITE), GLASS FILLED, UL94V-0
 アクチュエーター: ポリフェニレンサルファイド (PPS), ナチュラル (茶色), ガラス充填, UL94-V0
 ACTUATOR: POLYPHENYLENE SULFIDE, NATURAL (BROWN), GLASS FILLED, UL94V-0
 ターミナル: リン青銅 (I=0.32)
 TERMINAL: PHOSPHOR BRONZE (I=0.32)
 ネイル (補強金具): リン青銅 (I=0.25)
 FITTING NAIL: PHOSPHOR BRONZE (I=0.25)
2. めっき仕様 PLATING
 ターミナル TERMINAL
 鍍銀ビスマスめっき (1.0 μm以上)
 TIN SILVER BISMUTH PLATING (1.0 MICROMETER MINIMUM)
 下地: ニッケルめっき (1.0 μm以上)
 UNDER PLATE: NICKEL PLATING (1.0 MICROMETER MINIMUM)
 ネイル (補強金具) FITTING NAIL
 めっき (1.0 μm以上)
 TIN PLATING (1.0 MICROMETER MINIMUM)
 下地: ニッケルめっき (1.0 μm以上)
 UNDER PLATE: NICKEL PLATING (1.0 MICROMETER MINIMUM)
3. CO,3はFPC/FFCの導体部にかからないこと
 CO,3 MUST NOT BE OVERLAPED TO PATTERN OF FPC/FFC.
4. エンボス型で構成時は、アクチュエーターがロックした状態とする。
 IN THE PACKAGE, ACTUATOR SHOULD BE LOCKED.
5. フィッティングネイルは、剥離防止用金具
 FITTING NAIL FOR PREVENTION OF PEELING OF P.C.B. PATTERN.
6. ソルダーテール半田付け面、及び金具半田付け面の平坦度: 0.15mm MAX.
 COPLANARITY OF SOLDER TAILS AND FITTING NAILS TO BE 0.15mm MAX.
7. ELV及びRoHS適合品
 ELV AND RoHS COMPLIANT



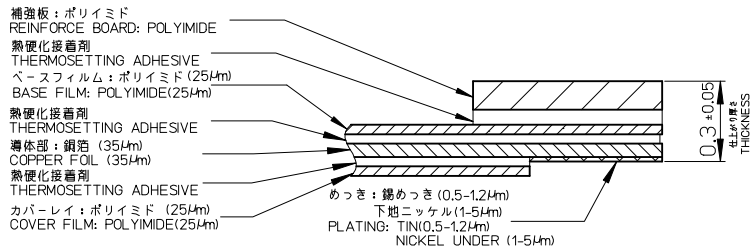
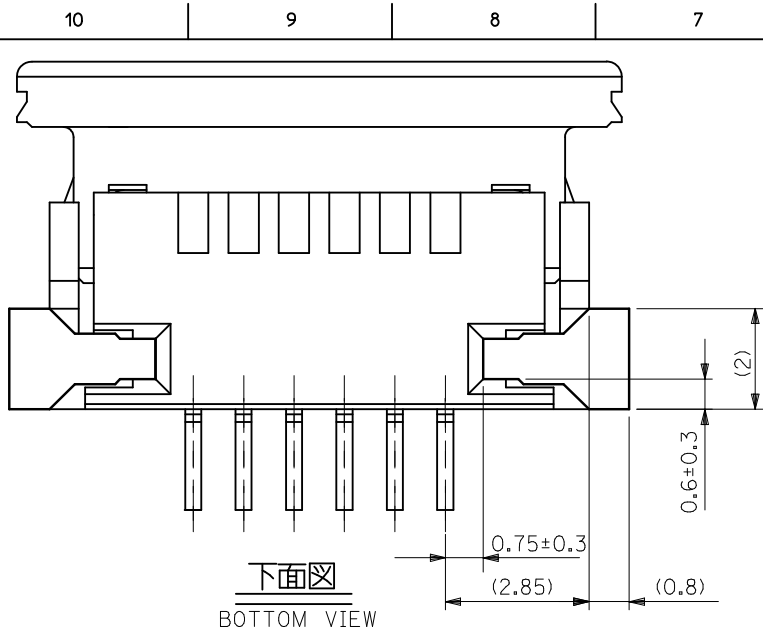
断面D-D
SECT. D-D



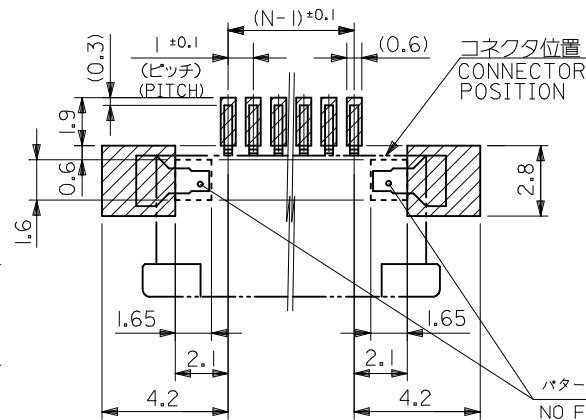
38.7	35.2	33	52207-3433	34
34.7	31.2	29	-3033	30
33.7	30.2	28	-2933	29
32.7	29.2	27	-2833	28
31.7	28.2	26	-2733	27
30.7	27.2	25	-2633	26
29.7	26.2	24	-2533	25
28.7	25.2	23	-2433	24
27.7	24.2	22	-2333	23
26.7	23.2	21	-2233	22
25.7	22.2	20	-2133	21
24.7	21.2	19	-2033	20
23.7	20.2	18	-1933	19
22.7	19.2	17	-1833	18
21.7	18.2	16	-1733	17
20.7	17.2	15	-1633	16
19.7	16.2	14	-1533	15
18.7	15.2	13	-1433	14
17.7	14.2	12	-1333	13
16.7	13.2	11	-1233	12
15.7	12.2	10	-1133	11
14.7	11.2	9	-1033	10
13.7	10.2	8	-0933	9
12.7	9.2	7	-0833	8
11.7	8.2	6	-0733	7
10.7	7.2	5	-0633	6
9.7	6.2	4	-0533	5
8.7	5.2	3	-0433	4
7.7	4.2	2	52207-0333	3

CONNECTOR SERIES NO: 52207-***22
EMBOSSED PACKAGE ORDER NO オーダー番号 極数 CKT.

REVISED EC NO: J2014-0096 DRW: AISHI 2013/07/18 CHK: KTAKAHASHI 2013/07/18 APPR: YNOGAWA 2013/08/19	GENERAL TOLERANCES (UNLESS SPECIFIED)		DIMENSION STYLE MM ONLY		SCALE ---	DESIGN UNITS METRIC	THIRD ANGLE PROJECTION	
	10 UNDER	± 0.2	DRAWN BY	DATE	TITLE			
	10 OVER 30 UNDER	± 0.25	JOKAMURA	2012/09/10	1.0 MM FPC CONN. ZIF R/A HOUSING ASSY (UPPER CONTACT)			
	30 OVER	± 0.3	CHECKED BY	DATE				
ANGULAR ± 3 °		APPROVED BY KMORIKAWA 2013/03/15	MATERIAL NO. SEE CHART		DOCUMENT NO. SD-52207-069		SHEET NO. 1 OF 2	
DRAFT WHERE APPLICABLE MUST REMAIN WITHIN DIMENSIONS		THIS DRAWING CONTAINS INFORMATION THAT IS PROPRIETARY TO MOLEX INCORPORATED AND SHOULD NOT BE USED WITHOUT WRITTEN PERMISSION						

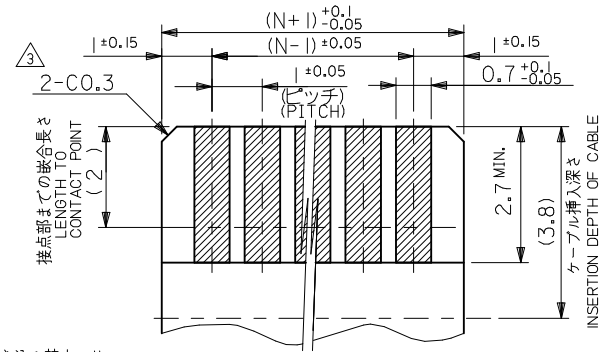


FPC構成推奨仕様
STRUCTURE OF FPC



推奨基板レイアウト
RECOMMENDED P.C.BOARD
PATTERN DIMENSION (REF.)
(マウント面)
(MOUNT SIDE)

マスク厚 : 100 μm
マスク開口率 : 100%
SCREEN THICKNESS : 100 MICROMETER
SCREEN OPEN RATIO : 100%



適合FPC/FFC推奨寸法
APPLICABLE FPC/FFC
RECOMMENDED DIMENSION
(仕上り厚さ: 0.3±0.05)
(THICKNESS: 0.3±0.05)

FPC/FFCについて ABOUT FPC/FFC

打ち抜き方向は導体側から補強板側を推奨します。
導体部については軟箔銅35 μmまたは50 μmを推奨します。

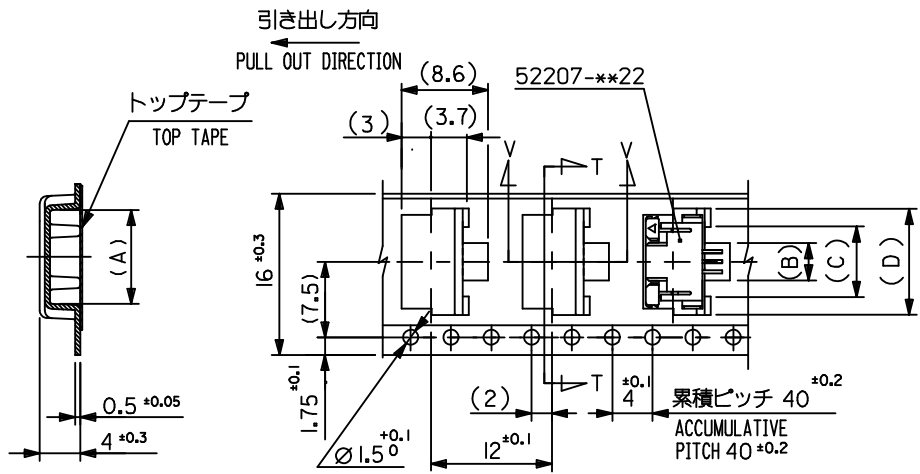
RECOMMENDED PUNCHING DIRECTION: FROM CONDUCTOR SIDE TO STIFFENER SIDE
RECOMMENDED CONDUCTOR SPEC: SOFT COPPER FOIL
RECOMMENDED CONDUCTOR THICKNESS: 35 MICROMETER OR 50 MICROMETER

FPCについて ABOUT FPC

補強フィルム材質はポリイミドを推奨します。ベースフィルムは25 μmを推奨します。
接着剤は熱硬化接着剤を推奨します。
尚、接着剤の接点部への付着は導通不良の原因になりますので、染み出しが無い様、お願い致します。

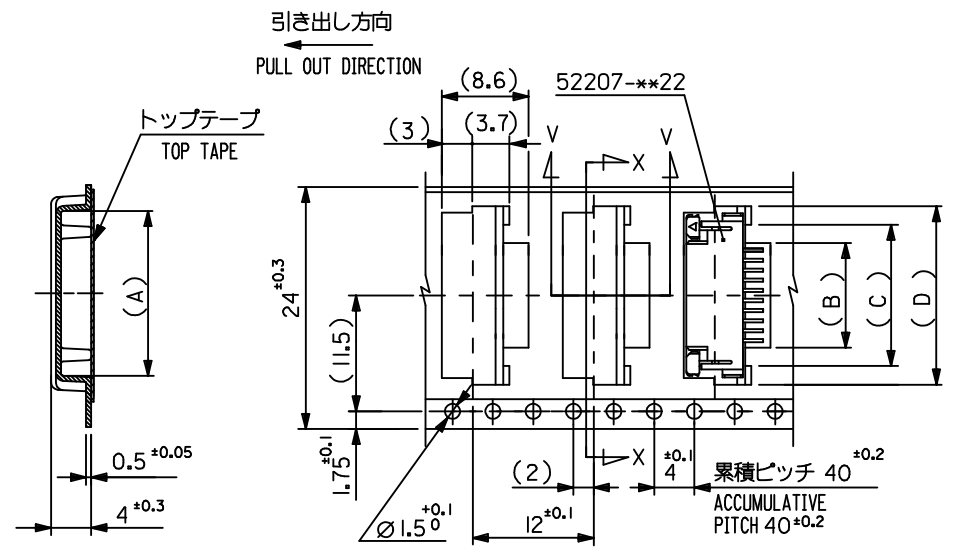
RECOMMENDED STIFFENER MATERIAL: POLYIMIDE
RECOMMENDED BASE FILM THICKNESS: 25 MICROMETER
RECOMMENDED ADHESIVE: THERMOSETTING ADHESIVE
NOTE: PLEASE PUT APPROPRIATE AMOUNT OF ADHESIVE ON ADHEREND BECAUSE THERE IS A POSSIBILITY THAT THE EXTRA ADHESIVE CAUSES THE DEFECT IN ELECTRICAL CONTINUITY.

SEE SHEET 1 OF 2 EC NO: J2014-0096 DRAWN: AISHI 2013/07/18 CHKD: TAKAHASHI 2013/07/18 APPR: YNOGAWA 2013/08/19	DESCRIPTION	GENERAL TOLERANCES (UNLESS SPECIFIED)		DIMENSION STYLE MM ONLY		SCALE ---	DESIGN UNITS METRIC	THIRD ANGLE PROJECTION	
		10 UNDER	±0.2	DRAWN BY JOKAMURA	DATE 2012/09/10	TITLE 1.0 MM FPC CONN. ZIF R/A HOUSING ASSY (UPPER CONTACT)			
		10 OVER 30 UNDER	±0.25	CHECKED BY KTAKAHASHI	DATE 2012/09/11				
		30 OVER	±0.3	APPROVED BY KMORIKAWA	DATE 2013/03/15				
REV	ANGULAR ±3 °	DRAFT WHERE APPLICABLE MUST REMAIN WITHIN DIMENSIONS		MATERIAL NO. SEE CHART		DOCUMENT NO. SD-52207-069	SHEET NO. 2 OF 2		
SIZE A3		THIS DRAWING CONTAINS INFORMATION THAT IS PROPRIETARY TO MOLEX INCORPORATED AND SHOULD NOT BE USED WITHOUT WRITTEN PERMISSION							



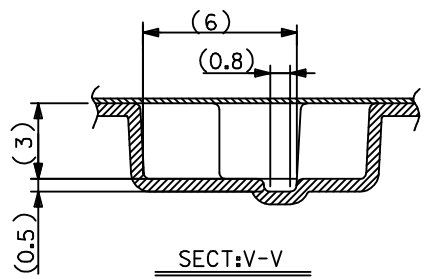
SECT:T-T

16mm 幅 キャリアテープ
16mm WIDTH CARRIER TAPE



SECT:X-X

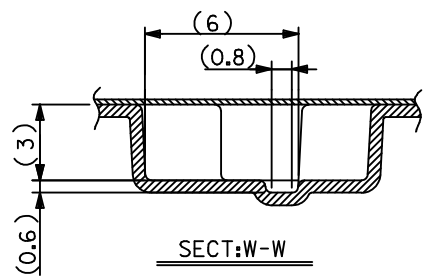
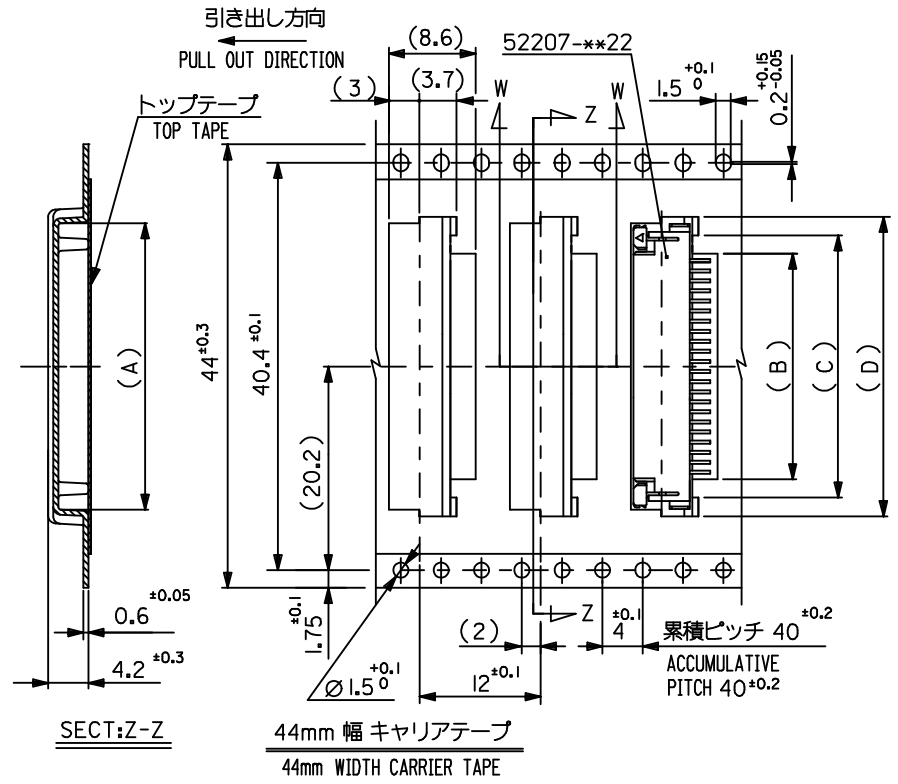
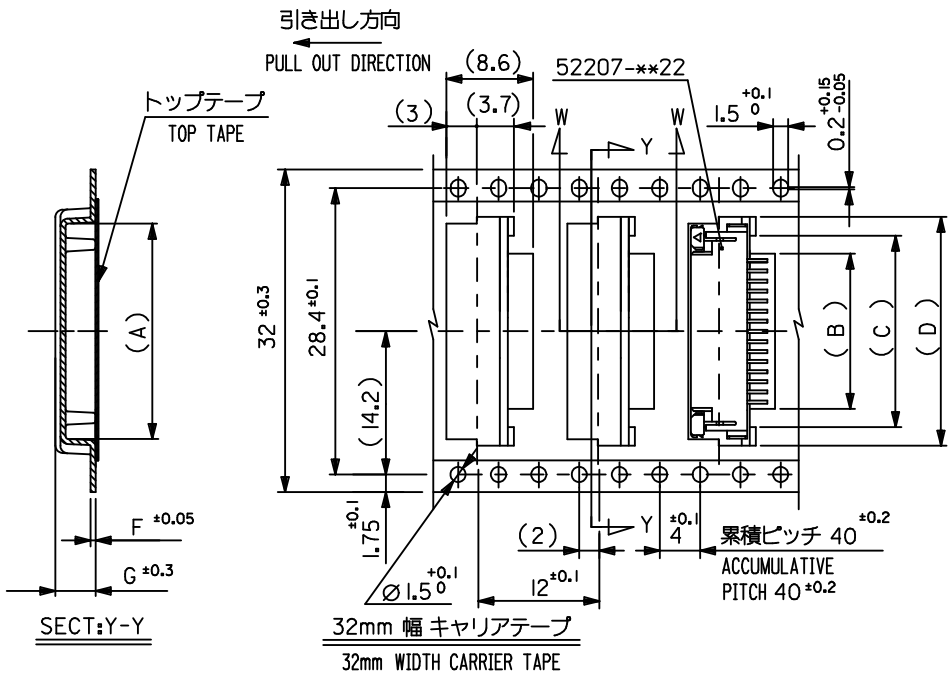
24mm 幅 キャリアテープ
24mm WIDTH CARRIER TAPE



SECT:V-V

24	29.4	25.4	18.5	15	11.7	17.3	52207-1133	11	
			17.5	14	10.7	16.3	4 -1033	10	
			16.5	13	9.7	15.3	-0933	9	
			15.5	12	8.7	14.3	-0833	8	
			14.5	11	7.7	13.3	-0733	7	
			13.5	10	6.7	12.3	-0633	6	
			12.5	9	5.7	11.3	-0533	5	
			11.5	8	4.7	10.3	7 -0433	4	
52207-**-33	16	21.4	17.4	10.5	7	3.7	9.3	52207-0333	3
MODEL NO.	キャリアテープ幅 CARRIER TAPE WIDTH	H	E	(D)	(C)	(B)	(A)	MATERIAL NO.	極致 CKT.

RELEASED EC NO: J2013-1002 DRWN:NASUNUMA 2012/09/21 CHKD:KAKAHASHI 2013/03/14 APPR:KMORIKAWA 2013/03/15	GENERAL TOLERANCES (UNLESS SPECIFIED)		DIMENSION STYLE MM ONLY		SCALE ---	DESIGN UNITS METRIC	THIRD ANGLE PROJECTION	
	10 UNDER	±0.2	DRAWN BY	DATE	TITLE			
	10 OVER 30 UNDER	±0.25	NASANUMA	2012/09/21	EMBOSS TAPE PACKAGED FOR 1.0 MM FPC CONN ZIF R/A HOUSING ASSY			
	30 OVER	±0.3	CHECKED BY	DATE	molex DOCUMENT NO. SD-52207-070 SHEET NO. 1 OF 3			
	ANGULAR ±3 °		KTAKAHASHI	2013/03/14				
DRAFT WHERE APPLICABLE MUST REMAIN WITHIN DIMENSIONS		APPROVED BY	DATE	SEE CHART				
		KMORIKAWA	2013/03/15	THIS DRAWING CONTAINS INFORMATION THAT IS PROPRIETARY TO MOLEX INCORPORATED AND SHOULD NOT BE USED WITHOUT WRITTEN PERMISSION				

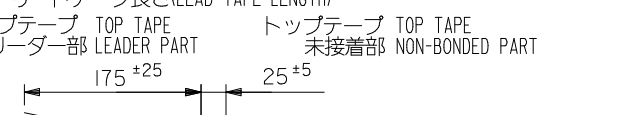


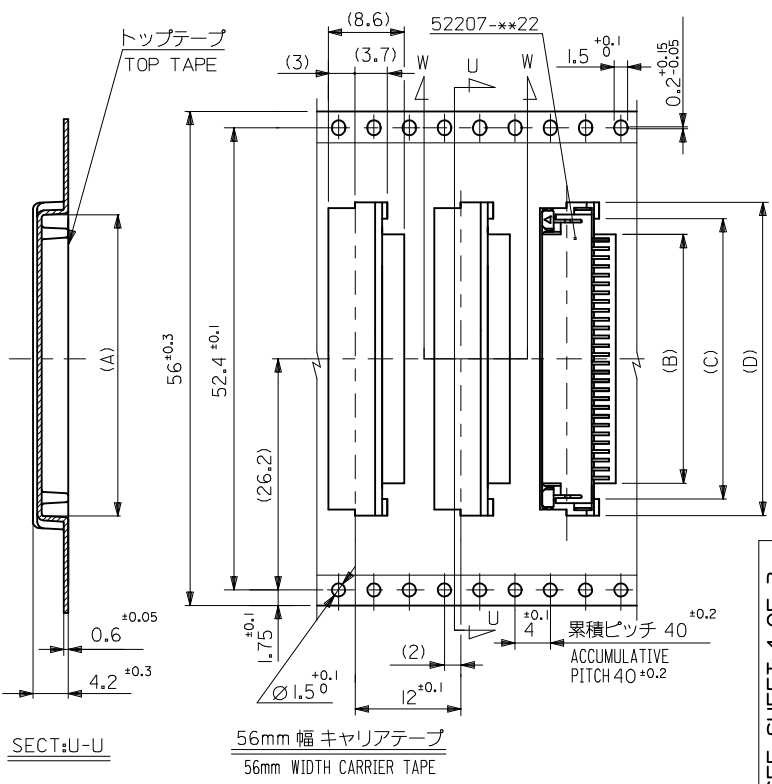
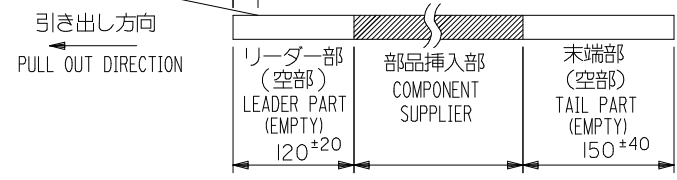
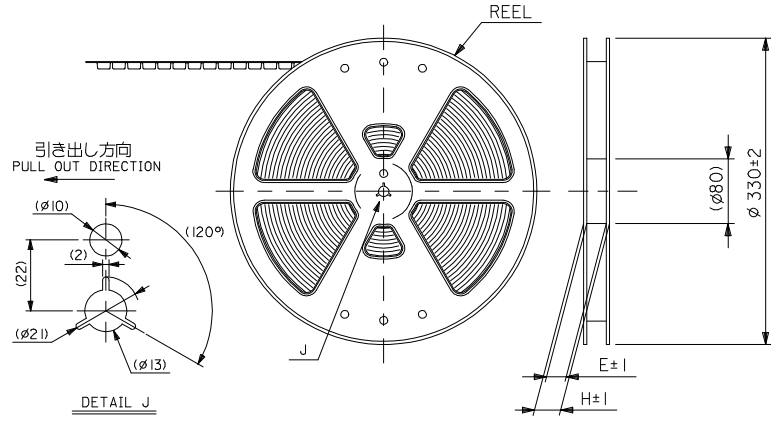
32	37.4	33.4	4.0	0.5	23.5	20	16.7	22.35	52207-1633	16
			4.2	0.6	22.5	19	15.7	21.35	4-1533	15
			4.2	0.6	21.5	18	14.7	20.35	-1433	14
			4.2	0.6	20.5	17	13.7	19.35	7-1333	13
			4.2	0.6	19.5	16	12.7	18.35	52207-1233	12
キャリアテープ幅 CARRIER TAPE WIDTH	H	E	(G)	(F)	(D)	(C)	(B)	(A)	MATERIAL NO.	極数 CKT.

44	49.4	45.4	34.5	31	27.7	33.35	52207-2733	27
			33.5	30	26.7	32.35	4-2633	26
			32.5	29	25.7	31.35	-2533	25
			31.5	28	24.7	30.35	-2433	24
			30.5	27	23.7	29.35	-2333	23
			29.5	26	22.7	28.35	-2233	22
			28.5	25	21.7	27.35	-2133	21
			27.5	24	20.7	26.35	-2033	20
			26.5	23	19.7	25.35	-1933	19
			25.5	22	18.7	24.35	7-1833	18
			24.5	21	17.7	23.35	52207-1733	17
キャリアテープ幅 CARRIER TAPE WIDTH	H	E	(D)	(C)	(B)	(A)	MATERIAL NO.	極数 CKT.

SEE SHEET 1 OF 3 EC NO.: J2013-1002 DRWN:NASUNUMA 2012/09/21 CHKD:KAKAHASHI 2013/03/14 APPR:KMORIKAWA 2013/03/15	GENERAL TOLERANCES (UNLESS SPECIFIED)	DIMENSION STYLE MM ONLY	SCALE ---	DESIGN UNITS METRIC	THIRD ANGLE PROJECTION
	10 UNDER ± 0.2	DRAWN BY NASUNUMA	DATE 2012/09/21	TITLE EMBOSSD TAPE PACKAGED 1.0 MM FPC CONN ZIF R/A HOUSING ASSY	
	10 OVER 30 UNDER ± 0.25	CHECKED BY KAKAHASHI	DATE 2013/03/14		
	30 OVER ± 0.3	APPROVED BY KMORIKAWA	DATE 2013/03/15		
ANGULAR ± 3 °	DRAFT WHERE APPLICABLE MUST REMAIN WITHIN DIMENSIONS		SEE CHART	DOCUMENT NO. SD-52207-070	SHEET NO. 2 OF 3
SIZE A3	THIS DRAWING CONTAINS INFORMATION THAT IS PROPRIETARY TO MOLEX INCORPORATED AND SHOULD NOT BE USED WITHOUT WRITTEN PERMISSION				

注記

- 製品番号52207-**22の梱包状態は、アクチュエータがロックした状態とする。
 詳細寸法については、図面SD-52207-069を参照ください
 IN THE PACKAGE, ACTUATOR OF PART NO.52207-**22 SHOULD BE LOCKED RE DETAILED DIMENSIONS, SEE SD-52207-069.
- 梱包数量：1000個/リール
 NUMBER OF CONNECTORS : 1000PCS/REEL
- リードテープ長さ(LEAD TAPE LENGTH)
 トップテープ TOP TAPE トップテープ TOP TAPE
 リーダー部 LEADER PART 未接着部 NON-BONDED PART

- カバーテープの剥離強度については、IEC60286-3に準拠
 COVER TAPE PEEL FORCE IS DEFINED BY IEC60286-3.
- 材料 (MATERIAL)
 キャリアテープ (CARRIER TAPE) : ポリプロピレン (POLYPROPYLENE)
 トップテープ (TOP TAPE) : PET, PE, PEF
 リール (REEL) : ポリスチレン (PS) <リサイクル材を含む>
 POLYSTYRENE (PS) <RECYCLE MATERIAL CONTAINED>
- 本製品は乾燥剤入り、ハイバリア梱包仕様である。
 THIS PRODUCT IS HIGH BARRIER PACKAGE WITH DESICCANT.
- ELV及びRoHS適合品
 ELV AND RoHS COMPLIANT.



52207-**33	MODEL NO.	キャリアテープ幅 CARRIER TAPE WIDTH	H	E	(D)	(C)	(B)	(A)	41.5	38	34.7	40.35	52207-3433	34
									37.5	34	30.7	36.35	52207-3033	30
									36.5	33	29.7	35.35	52207-2933	29
									35.5	32	28.7	34.35	52207-2833	28
									MATERIAL NO.	極致 CKT.				

SEE SHEET 1 OF 3

EC NO: J2013-1002 2012/09/21
 DRWN:NASUNUMA
 CHKD:KAKAHASHI 2013/03/14
 APPR:KMORIKAWA 2013/03/15

GENERAL TOLERANCES (UNLESS SPECIFIED)

10 UNDER	±0.2
10 OVER 30 UNDER	±0.25
30 OVER	±0.3

ANGULAR ±3 °
 DRAFT WHERE APPLICABLE
 MUST REMAIN WITHIN DIMENSIONS

DIMENSION STYLE
 MM ONLY

SCALE

DESIGN UNITS
 METRIC

THIRD ANGLE PROJECTION

TITLE
 EMBOSSED TAPE PACKAGED
 1.0 MM FPC CONN ZIF R/A
 HOUSING ASSY

molex

DOCUMENT NO.
 SD-52207-070

SHEET NO.
 3 OF 3

SIZE
 A3

THIS DRAWING CONTAINS INFORMATION THAT IS PROPRIETARY TO MOLEX INCORPORATED AND SHOULD NOT BE USED WITHOUT WRITTEN PERMISSION