

## Shaft carriers

Among shaft carriers, a distinction is made between shaft blocks and shaft supports. With shaft blocks the shaft is supported only at its ends; shaft supports run for the whole length or at least partially and therefore require the use of open linear bearing units.

### LSCS/LSNS/LSHS shaft blocks

LSCS shaft blocks are made of cast aluminium. The individual elements grip the shaft at the end. They are supplied as standard with two screw holes in the shaft block base for attachment. LSCS shaft blocks are suitable for shaft diameters from 8 to 80 mm. LSNS and LSHS shaft blocks are made of extruded aluminium. Attachment is made by through bolts

or direct into the threaded holes on the underside. LSNS and LSHS shaft blocks are available for shaft of diameter 12 to 50 mm.

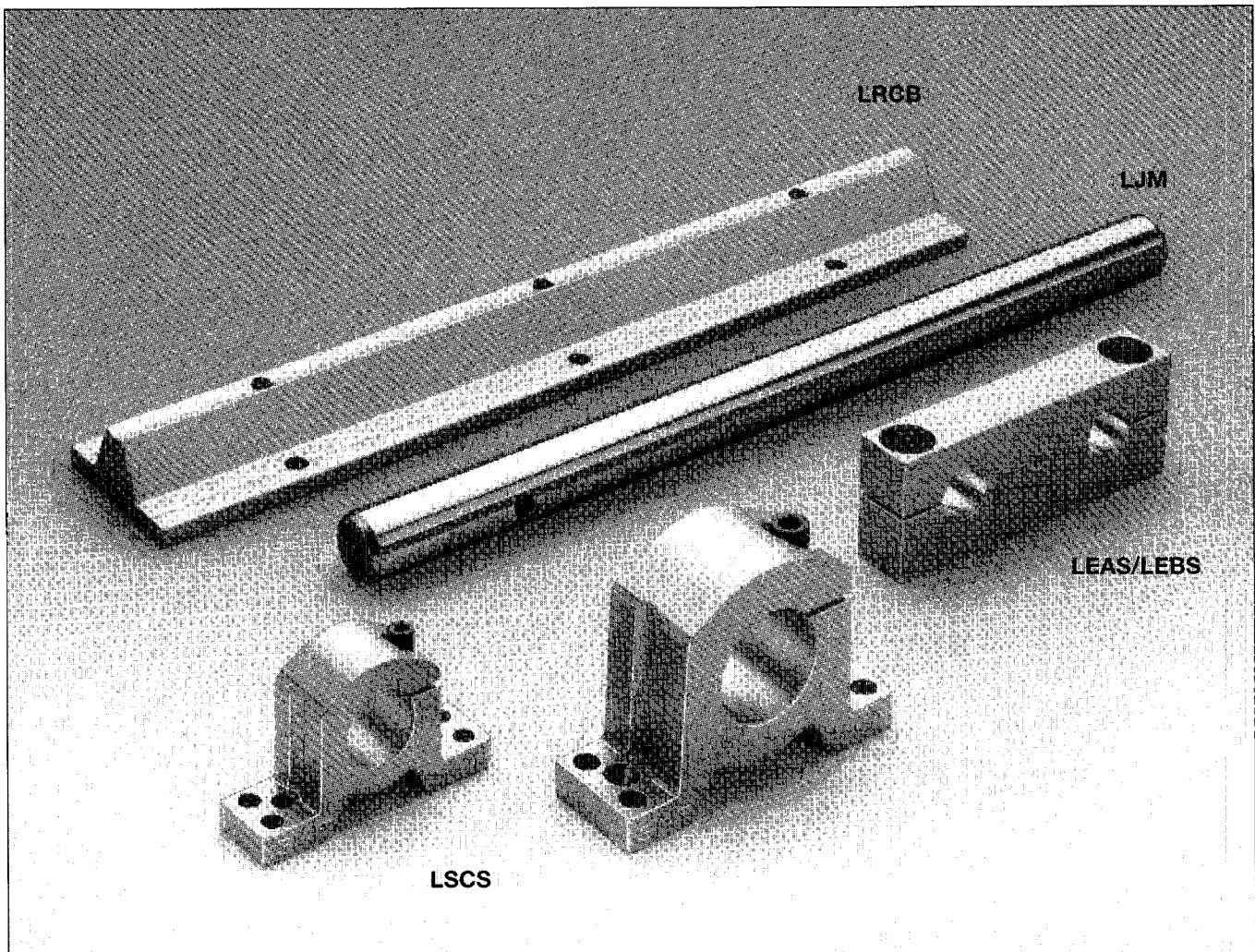
### LEBS/LEAS tandem shaft blocks

To match the duo and quadro linear bearing units with linear ball bearings LBB of Series 1, LEBS tandem shaft blocks are available in the A design (i.e. fixed shaft blocks, linear bearing unit axially moveable). LEBS shaft blocks are available for shafts of diameter 12 to 50 mm. For units with linear ball bearings LBA/LBC/LBH of Series 3, LEAS tandem shaft blocks are available in A and B design. The B design allows axial movement of the shafts through a fixed linear bearing unit. LEAS shaft blocks are

available for shafts of diameter 8 to 50 mm.

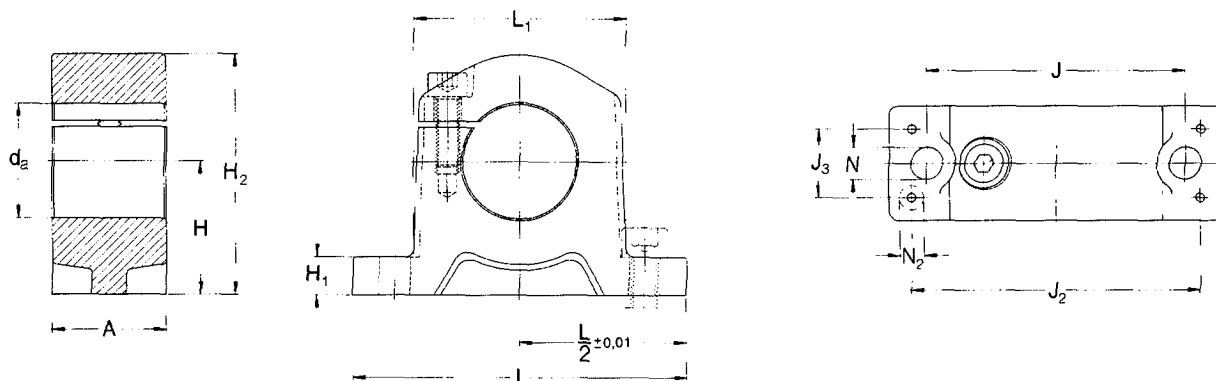
### LRCB/LRCC shaft supports

For heavily loaded linear bearing units and/or long track lengths, allowance must often be made for a high degree of bending of the shaft. In such cases continuous or at least partial support of the shaft is called for, with the use of open linear bearing units. SKF offers shaft supports for shaft diameters from 12 to 80 mm of the LRCB (with holes already drilled) and LRCC types (without holes).



# LSCS shaft blocks

$d_a$  8-80 mm



Dimensions												Mass	Designations
$d_a$	A	H	$H_1$	$H_2$	J	$J_2$	$J_3$	L	$L_1$	$N^{1)}$	$N_2$		Shaft block
mm												kg	—
8	10	15	5,5	25	25	35	5	45	19	4,3	2,7	0,012	LSCS 8
12	12	20	6	32,5	32	42	6	52	25	5,3	3,2	0,023	LSCS 12
16	15	20	7	35,5	40	46	7,5	56	31,8	5,3	4,3	0,034	LSCS 16
20	20	25	8	43,5	45	58	10	70	37	5,3	5,3	0,065	LSCS 20
25	28	30	10	53	60	68	16	80	48	6,4	6,4	0,14	LSCS 25
30	30	35	10	63	68	76	18	88	56	8,4	6,4	0,20	LSCS 30
40	36	45	12	81	86	94	22	108	71	10,5	8,4	0,47	LSCS 40
50	49	50	14	92,5	108	116	30	135	86	10,5	10,5	0,68	LSCS 50
60	62	60	18	112	132	138	40	160	105	13	13	1,29	LSCS 60
80	85	80	22	147,5	170	180	60	205	136	17	15	3,01	LSCS 80

<sup>1)</sup> For screws with internal hexagon to DIN 912 / ISO 4762.