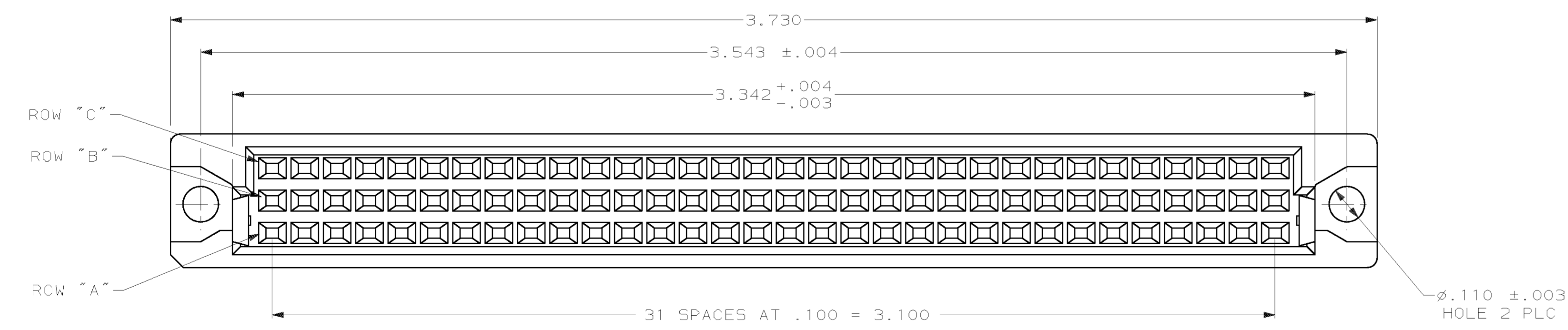
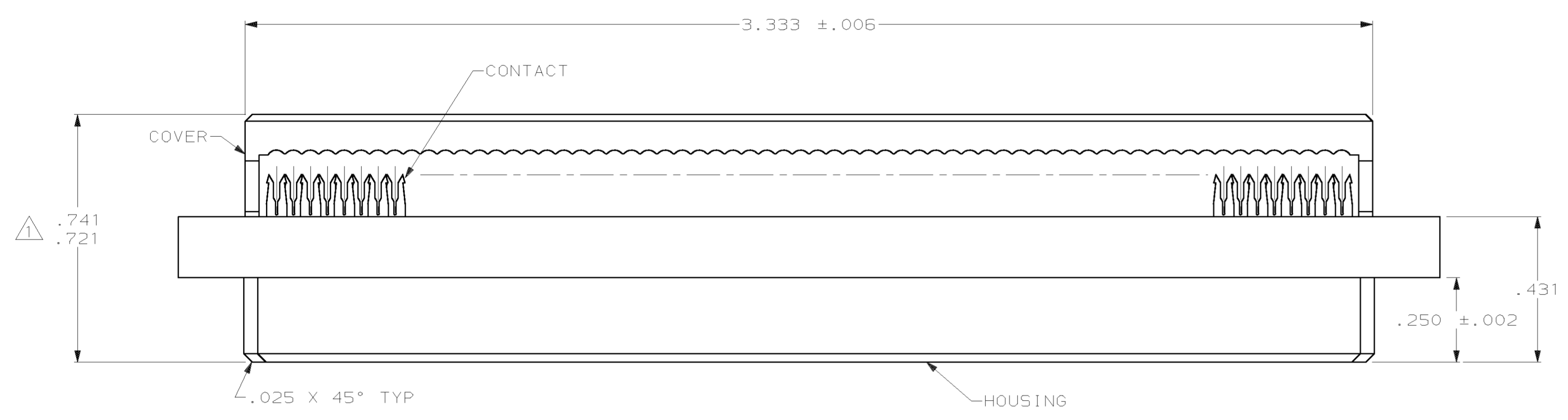
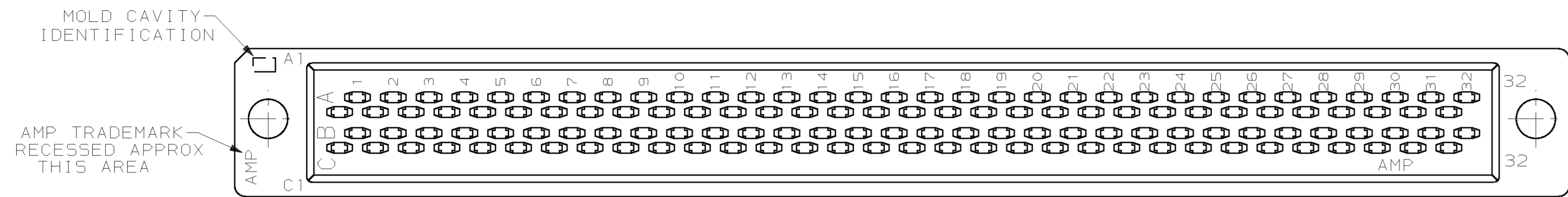
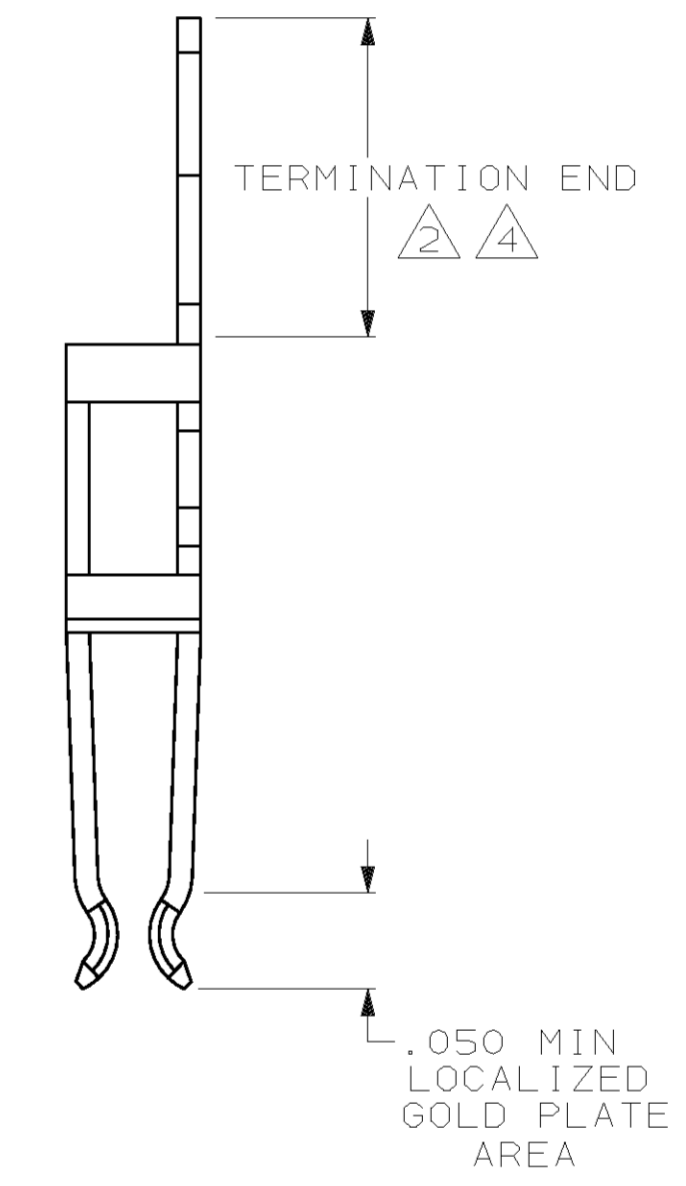
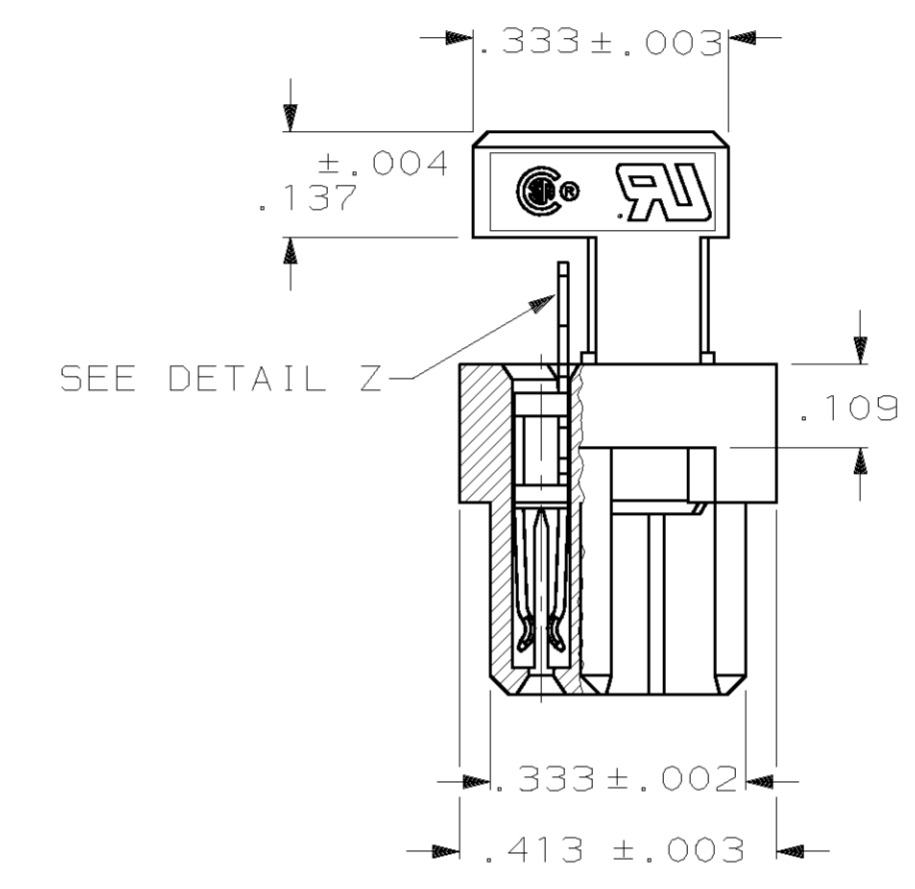


LOC		DIST		P		F		ZONE		LTR		REVISIONS	
DESCRIPTION	DATE	APPD											
G													REVISED PER EC 0513-0018-03
													28AUG03 JG



- △ DIMENSION EQUALS .568 WHEN FULLY TERMINATED.
- △ .000030 MIN. GOLD ON GOLD PLATE AREA, .000100 MIN. BRIGHT TIN LEAD ON TERMINATION END, ALL OVER .000050 NICKEL.
- 3. ASSEMBLY DESIGNED FOR #26 AND #28 AWG STRANDED CONDUCTOR AND #26, #28 AND #30 AWG SOLID CONDUCTOR RIBBON CABLE ON .050 CENTERS.
- △ .000030 MIN. GOLD ON GOLD PLATE AREA, .000100 MIN. BRIGHT TIN ON TERMINATION END, ALL OVER .000050 NICKEL.



DETAIL Z  
SCALE 10:1

CONTACT FINISH	DESCRIPTION	PART NO
△ 4	CONTACTS LOADED IN ROWS A & C	746603-4
△ 2	CONTACTS LOADED IN ROWS B & C	746603-3
△ 2	CONTACTS LOADED IN ROWS A & B	746603-2
△ 2	CONTACTS LOADED IN ROWS A & C	746603-1

DO NOT SCALE PRINT. UNLESS SPECIFIED DIMENSIONS IN INCHES TOLERANCES ON:		DR 11-1-89 D KEITZER		AMP INCORPORATED Harrisburg, Pa. 17105	
2 PLC DEC ± .005		CHK -			
3 PLC DEC ± .005		APPD -		NAME	
ANGLES ± 1°		APPD -		ASSEMBLY, EUROLATCH	
MATERIAL HOUSING & COVER GLASS FILLED POLYESTER		PRODUCT SPEC 108-46003		AMP-LATCH	
94 V-0 RATED COLOR: BLACK		APPLICATION SPEC -		SIZE D	CAGE CODE 00779
CONTACTS: PHOSPHOR BRONZE FINISH		WEIGHT -		DRAWING NO 746603	
				SCALE 4:1	SHEET 1 OF 1