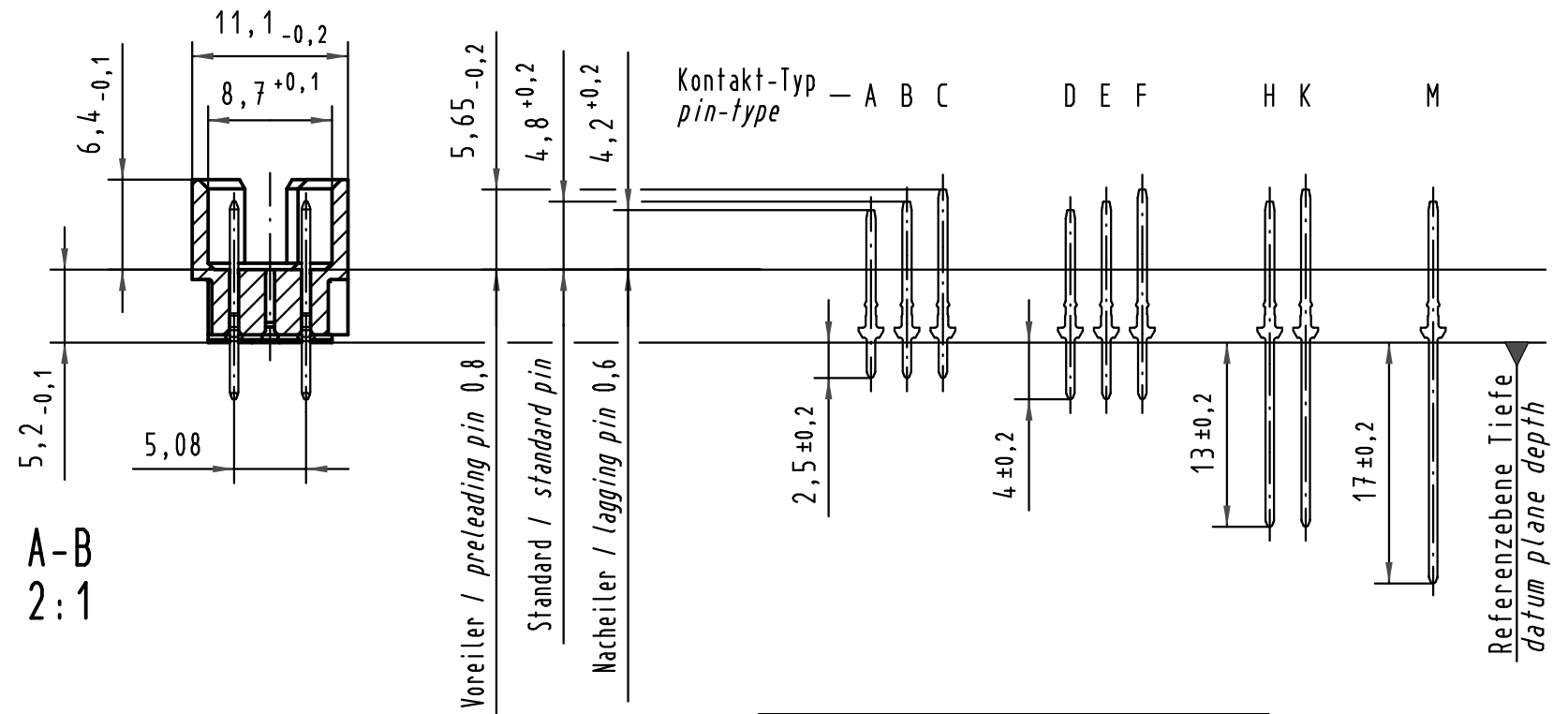
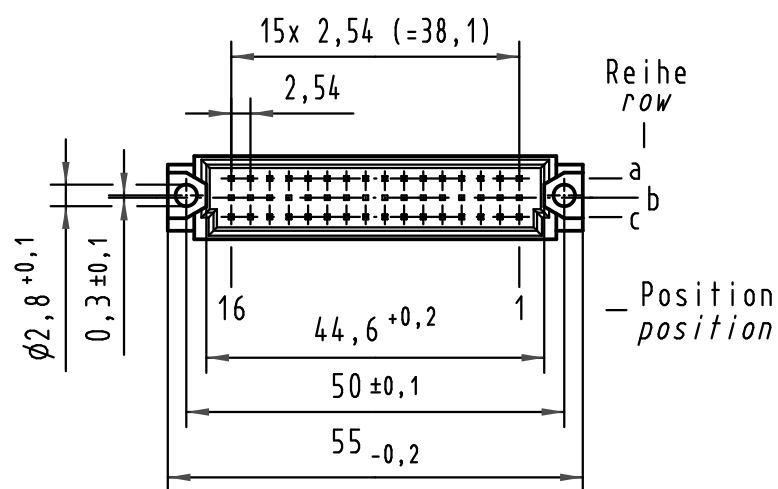
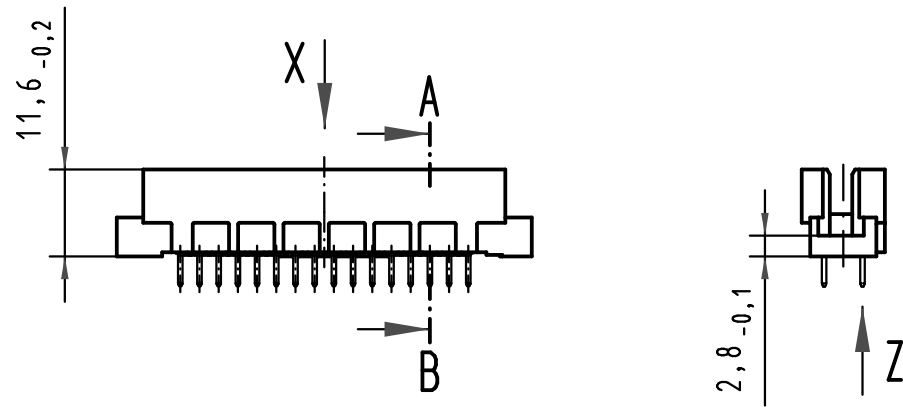
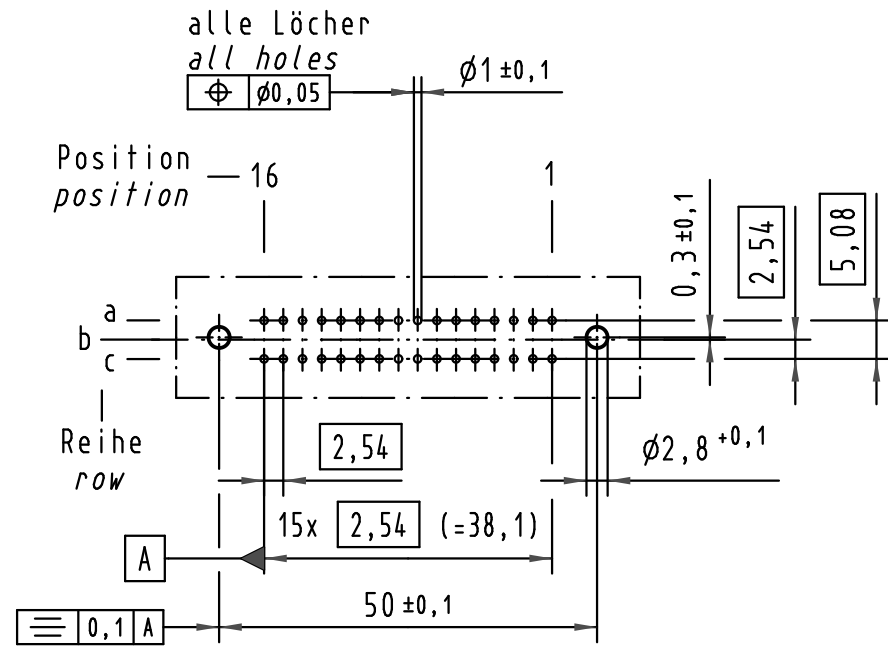
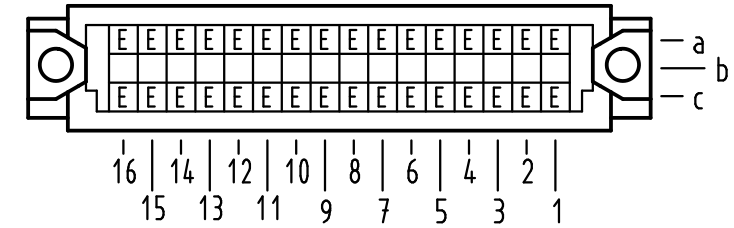


Alle Rechte vorbehalten/ All rights reserved

**X  
(Lochbild)  
(board drillings)**

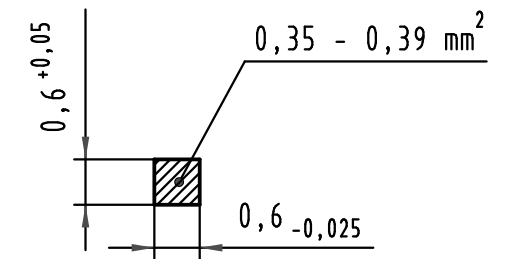


**X Kontaktbelegung  
contact loading**



**Z  
10:1**

Querschnitt der  
Lötanschlüsse:  
cross-section of  
solder terminations:



|                         |   |                                      |
|-------------------------|---|--------------------------------------|
| 09 28 132 7903          | 3   | Au flash over PdNi over Ni           |
| 09 28 132 6903          | 2   | Au flash over PdNi over Ni           |
| 09 28 132 2903          | 1   | Au flash over PdNi over Ni           |
| Bestell-Nr.<br>part-no. | Anforderungsstufe nach IEC<br>performance level acc. to IEC | Kontaktoberfläche<br>contact plating |

|   |                   |         |  |  |              |
|---|-------------------|---------|--|--|--------------|
| All Dimensions in mm<br>Original Size DIN A 3 | Techn. Character. |         |  | Nicht tolerierte Maßel / Free size tolerances<br>IEC 60603-2 |              |
|   |                   | Dat.    | Name   | Maßstab / Scale  |              |
|   |                   | Detail. | 13.06.01   | Rie.   | 1:1          |
|   |                   | Insp.   | 13.06.01   | Pa.  | 2:1          |
| 35540   | 15.07.09          | Hage.   | Stand.   |  | 10:1         |
| 34650   | 08.01.08          | Hage.   | HARTING Electronics GmbH & Co. KG<br>D-32339 ESPELKAMP |  |              |
| 29836   |                   |         |  |  |              |
| Mod.  | Dat.              | Name    | <b>TB 09 28 132 x903</b>                               |  | Blatt / page |
|   |                   |         | Sub.   |  |              |

Bauform 2R Messerleiste  
Einlöt 4,0 , 32pol.  
type 2R male connector  
solder 4,0 , 32pol.

**TB 09 28 132 x903**

Blatt / page

Sub.