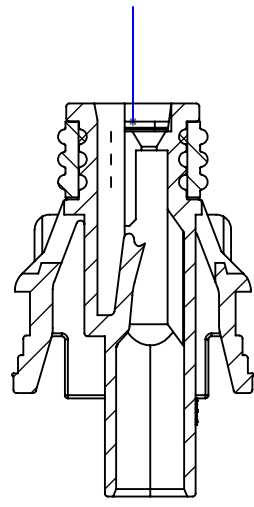
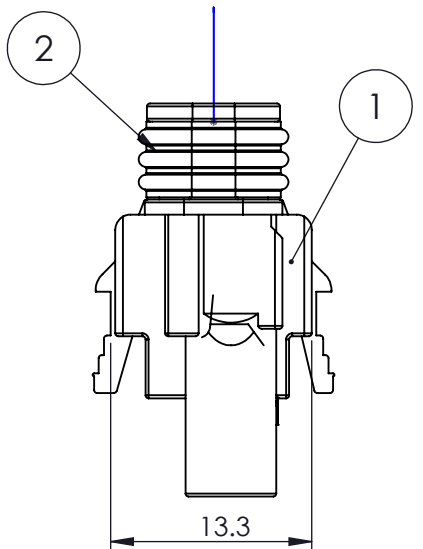
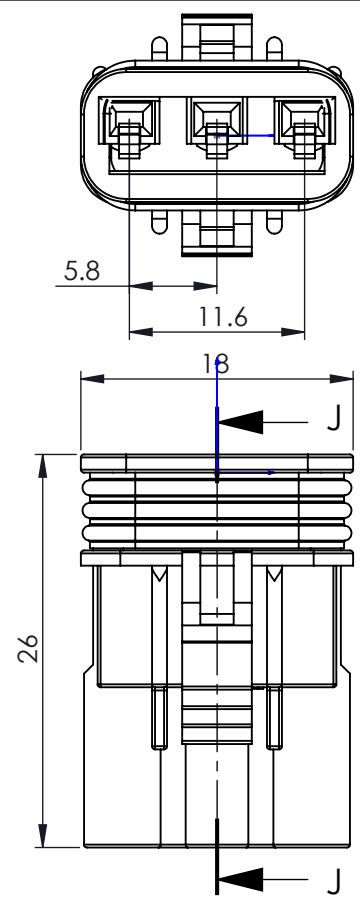


THIS IS A C.A.D. GENERATED DRAWING
DO NOT MAKE MANUAL REVISIONS TO MASTER.



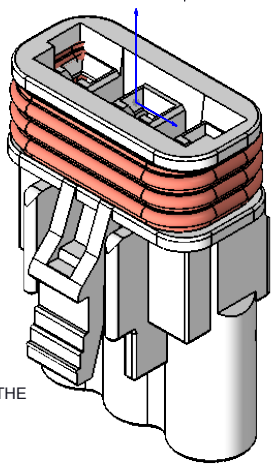
ISSUE NUMBER	
ORIGINAL	①



SECTION J-J

MATERIALS:
HOUSING: PBT, UL94V-0, WHITE COLOR
WIRE-HOUSING SEAL: SILICON RUBBER

- SPECIFICATIONS**
1. PITCH: 5.8MM
 2. RATED VOLTAGE: 300V
 3. RATED CURRENT: 10A MAX
 4. WITHSTAND VOLTAGE: AC 1700V R.M.S.
 5. CONTACT RESISTANCE: 10 mOHMS MAX
 6. INSULATION RESISTANCE: 1000 MOHMS MIN/DC 500V
 7. TEMPERATURE RANGE: -40°C ~ +105°C
 8. WATERPROOF GRADE: TESTED AND CERTIFIED TO IP67



ITEM NO.	DESCRIPTION	QTY.
1	572-003-000-FEMALE-HOUSING	1
2	570-003-000-HOUSING-SEAL	1

Waterproof Connector, Insulator, Female,
White, 3Pin
572-003-000-200

ACAD REFERENCE NO.	572-003-000-200
DRAWN: R.STA.MONICA	DATE: NOV.16/15
CHECKED:	DATE:
SCALE: NOT TO SCALE	SHEET 1 OF 1

EDAC EDAC INC
TORONTO, ONTARIO
CANADA
YOUR CONNECTION TO QUALITY & SERVICE

THESE DRAWINGS AND SPECIFICATIONS
ARE THE PROPERTY OF EDAC INC. AND
SHALL NOT BE REPRODUCED, OR COPIED
OR USED AS THE BASIS FOR THE
MANUFACTURE OR SALE OF APPARATUS
WITHOUT WRITTEN PERMISSION.

DRAWING NUMBER	ISSUE
572-003-000-200	1



THIS SERIES FULLY CONFORMS TO THE
EUROPEAN UNION DIRECTIVES
2011/65/EU FOR RoHS COMPLIANCY