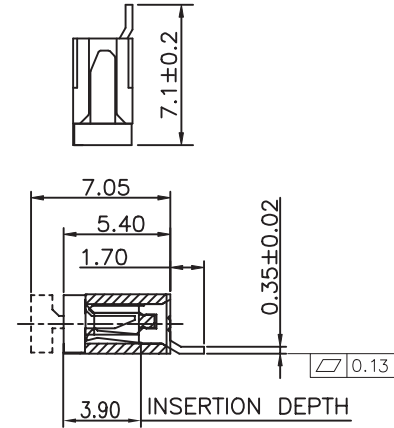
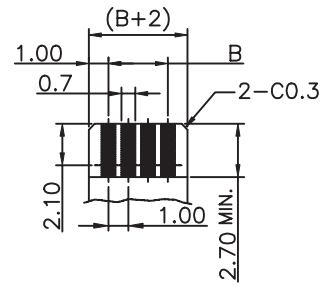


RECOMMENDED PCB LAYOUT - COMPONENT VIEW



SECT. A-A



APPLICABLE FFC LAYOUT (THICKNESS: 0.29 to 0.34)

MATERIAL:
 HOUSING MATERIAL: PPS
 COLOR: BEIGE
 ACTUATOR MATERIAL: PPS
 COLOR: BLACK
 CONTACT MATERIAL: PHOSPOR BRONZE
 CONTACT PLATING: 100µ TIN OVER 50µ NI
 QUALITY CLASS: 25 MATING CYCLES

ENVIRONNEMENTAL:
 OPERATING TEMPERATURE: -25°C UP TO 85°C
 FLAMABILITY RATING: UL94-V0
 COMPLIANCE: LEAD FREE AND ROHS

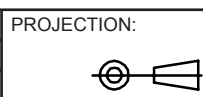
ELECTRICAL:
 CURRENT RATING: 1A
 WORKING VOLTAGE: 125V
 INSULATION RESISTANCE: >100MOHM
 DIELECTRIC WITHSTANDING VOLT.: 500VAC/MN
 CONTACT RESISTANCE: 20mOHM MAX

STANDARD
 CERTIFIED: E323964 / MODEL NUMBER 686
 FOLLOWED BY 1, FOLLOWED BY 03 THRU 30, FOLLOWED BY 141 OR 144, FOLLOWED BY NUMERIC DIGITS

SOLDERING:
 REFLOW PROCESS ONLY

DIMENSION:
 A = B + 8.00
 B = 1.00 x (NB PINS - 1)
 C = B + 2.1
 D = B + 6.00

RoHS Compliant			
I	28-JUN-12	COLOR	GG
H	26-JUN-12	DIM	GG
REV	DATE	FILE	BY



GENERAL TOLERANCE
 .X = +/- 0.2
 .XX = +/- 0.15

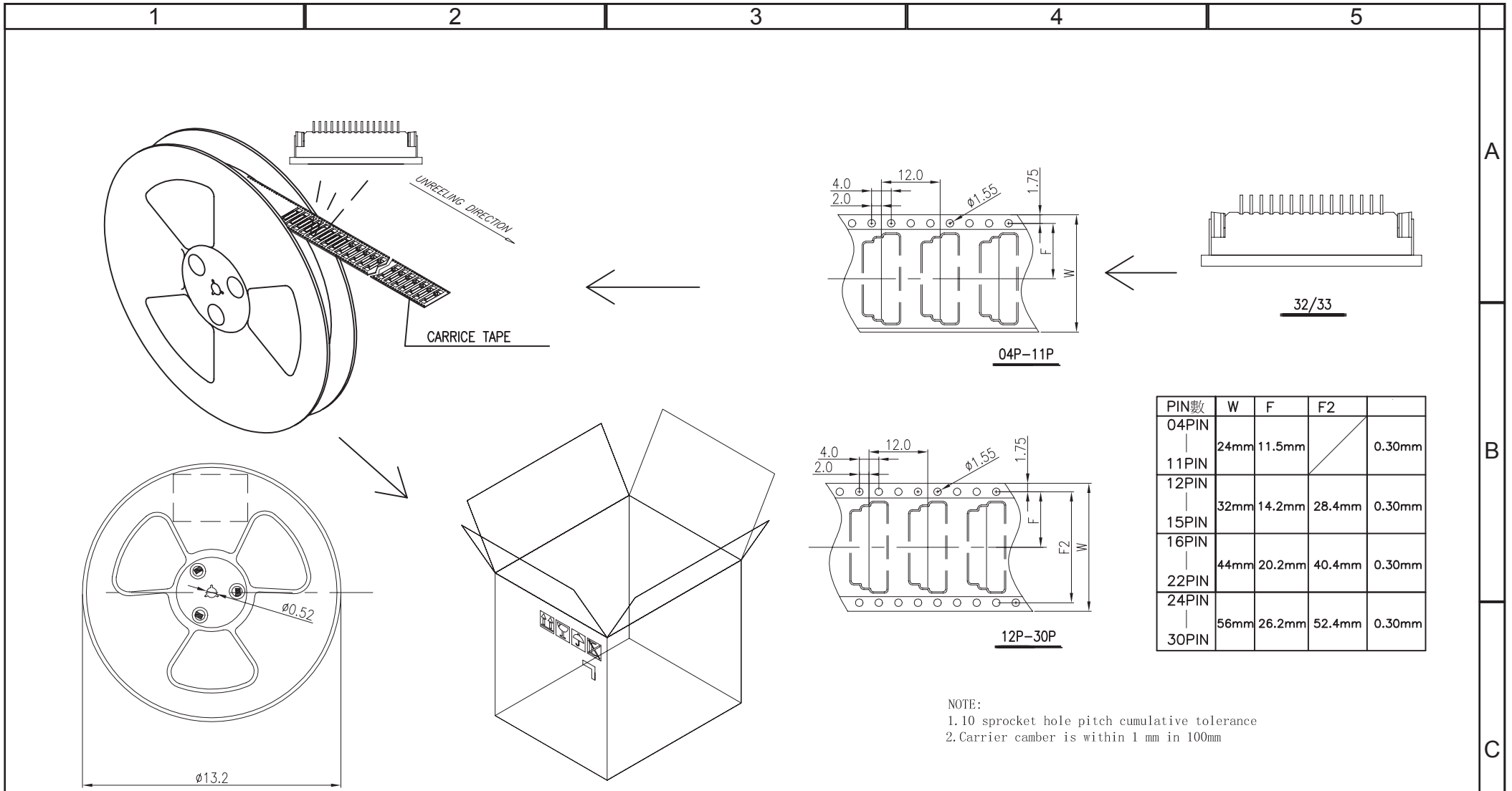


APPROVAL: RJ

UNIT: MM
 SCALE:
 SHEET: 1/2
 DRAW: PEARL

DESCRIPTION: 1.0MM ZIF FPC HORIZONTAL BOTTOM CONTACT TYPE - TAPE & REEL PACKAGING
 WERI PART NO: 6861 xx 14422

SIZE
A4



PIN數	W	F	F2	
04PIN	24mm	11.5mm	/	0.30mm
11PIN				
12PIN	32mm	14.2mm	28.4mm	0.30mm
15PIN				
16PIN	44mm	20.2mm	40.4mm	0.30mm
22PIN				
24PIN	56mm	26.2mm	52.4mm	0.30mm
30PIN				

NOTE:
 1. 10 sprocket hole pitch cumulative tolerance
 2. Carrier camber is within 1 mm in 100mm

RoHS Compliant				PROJECTION: 	GENERAL TOLERANCE .X = ± 0.2 .XX = ± 0.15	
G						
F						
E						
D	29-JUL-08	INSERTION DEPTH	CH	APPROVAL: RJ	UNIT: MM	DESCRIPTION: 1.0MM ZIF FPC HORIZONTAL BOTTOM CONTACT TYPE - TAPE & REEL PACKAGING WERI PART NO: 6861 xx 14422
C	26-NOV-07	MODIFICATIONS	EC		SCALE:	
B	14-MAR-07	CHARACTERISTIC	EC		SHEET: 2/2	
A	02-OCT-06	PDF	JP		DRAW: PEARL	
REV	DATE	FILE	BY			
						SIZE A4