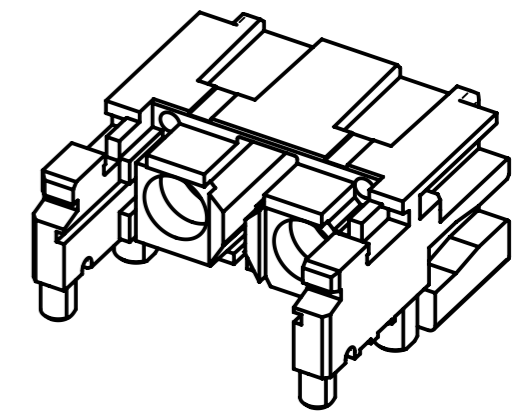


- limit area of components (valid for both pcb sides)
- no tracks, except solder eyes
- non-metallized drillings



	All rights reserved Department EC PD - DE	All Dimensions in mm Original Size DIN A3	Scale 2:1	Free size tol.	Ref. Sub. TB 09290023201 / 50000070058 / 2014-01-14
	HARTING Electronics GmbH D-32339 Espelkamp	Created by HAGEMEYERE	Inspected by DAHMS	Standardisation HOFFMANN	Date 2016-02-23
Title DIN Signal type M0+2 angled male					State Final Release
Type TB				Number 09290023201	Doc-Key / ECM-Nr. 100558147/UGD/002/B 500000100607
				Rev. B	Page 1/1